



US00D736998S

(12) **United States Design Patent**  
**Koehler et al.**

(10) **Patent No.:** **US D736,998 S**

(45) **Date of Patent:** **\*\* Aug. 18, 2015**

(54) **HAIR APPLIANCE**

FOREIGN PATENT DOCUMENTS

(71) Applicant: **CALOR**, Ecully Cedex (FR)

EM	000584461-0001	9/2006
EM	000997994-0001	9/2008
EM	001210124-0001	4/2010
EM	001901224-0004	8/2011
EM	002045872-0001	5/2012
EM	001341564-0011	8/2012
EM	001341564-0013	8/2012
EM	002115832-0005	10/2012
EM	002244400-0001	5/2013
FR	2994639	* 2/2014
RU	00083391	10/2012

(72) Inventors: **Bernd Koehler**, Ecully (FR); **Clement Martineau**, Ecully (FR); **Anthony Masson**, Ecully (FR)

(73) Assignee: **CALOR**, Ecully (FR)

(\*\*) Term: **14 Years**

\* cited by examiner

(21) Appl. No.: **29/467,952**

*Primary Examiner* — Jennifer Rivard

(22) Filed: **Sep. 25, 2013**

(74) *Attorney, Agent, or Firm* — Loeb & Loeb LLP

(30) **Foreign Application Priority Data**

Mar. 29, 2013 (EM) ..... 002211730-0001

(51) **LOC (10) Cl.** ..... **28-03**

(52) **U.S. Cl.**

USPC ..... **D28/35**

(58) **Field of Classification Search**

USPC ..... D28/35–38; 219/222–226

CPC ..... A45D 1/00–1/18; A45D 2/00–2/002

See application file for complete search history.

(56) **References Cited**

U.S. PATENT DOCUMENTS

4,692,586	A *	9/1987	Fromm et al.	.....	219/225
7,271,368	B2 *	9/2007	Yeung	.....	219/222
D654,621	S	2/2012	Grienay		
D678,609	S	3/2013	Ragosta et al.		
2005/0051188	A1 *	3/2005	Leung	.....	132/224
2007/0175881	A1 *	8/2007	Yeung	.....	219/222
2010/0089413	A1 *	4/2010	Wright et al.	.....	132/211
2010/0242986	A1 *	9/2010	Serresvives et al.	.....	132/227

(57) **CLAIM**

The ornamental design for a hair appliance, as shown and described.

**DESCRIPTION**

FIG. 1 is a perspective view of an embodiment of a hair appliance showing our new design.

FIG. 2 is a left side elevational view of the hair appliance of FIG. 1.

FIG. 3 is a right side elevational view of the hair appliance of FIG. 1.

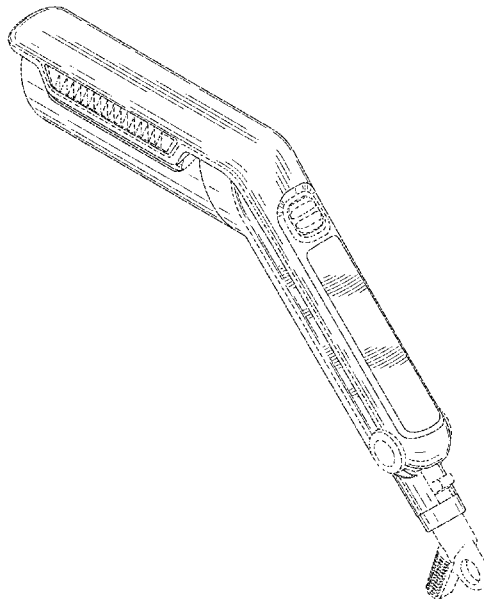
FIG. 4 is a front elevational view of the hair appliance of FIG. 1.

FIG. 5 is a back elevational view of the hair appliance of FIG. 1.

FIG. 6 is a top plan view of the hair appliance of FIG. 1; and, FIG. 7 is a bottom plan view of the hair appliance of FIG. 1.

The broken lines illustrate portions of the hair appliance and form no part of the claimed design.

**1 Claim, 7 Drawing Sheets**



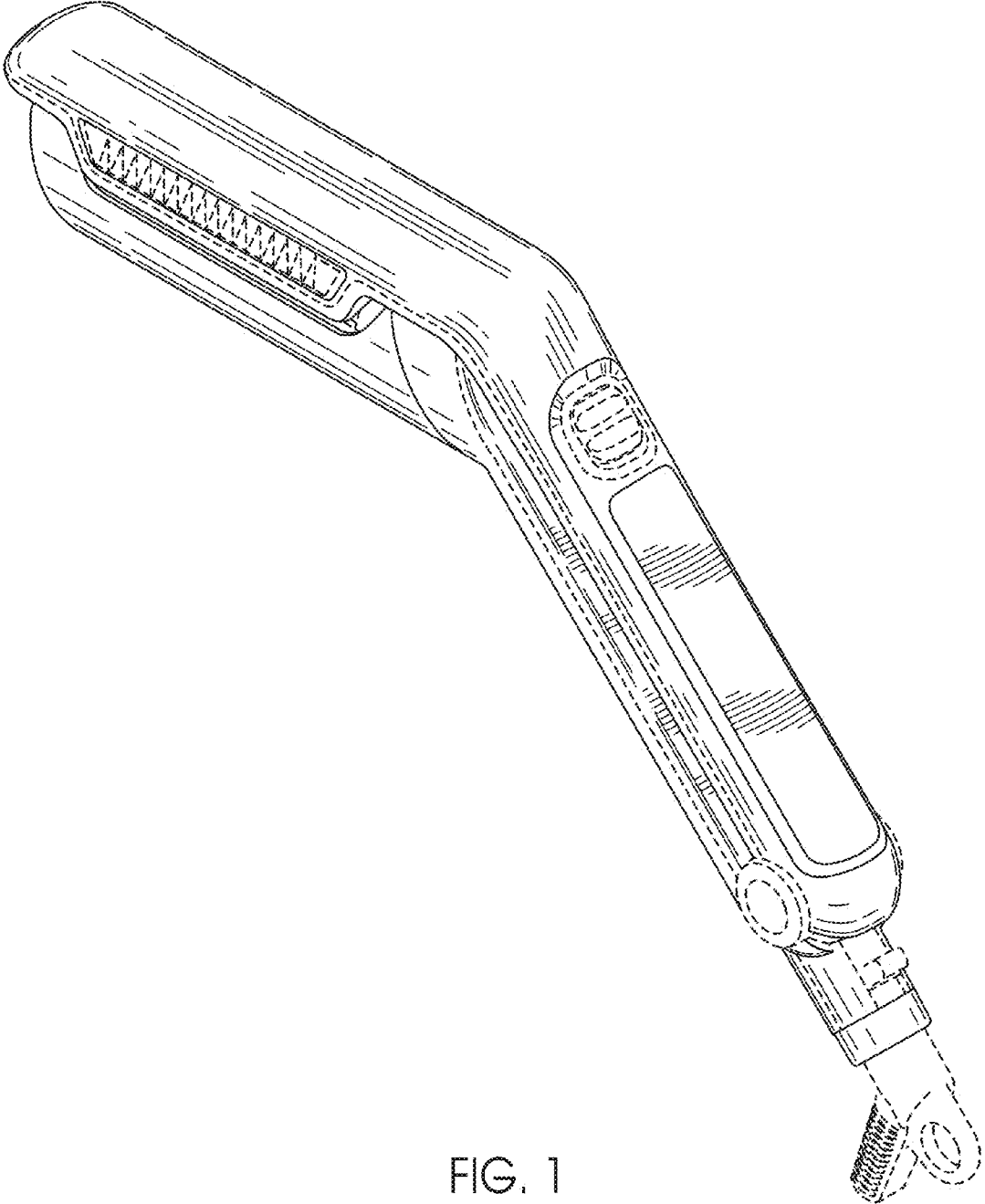


FIG. 1

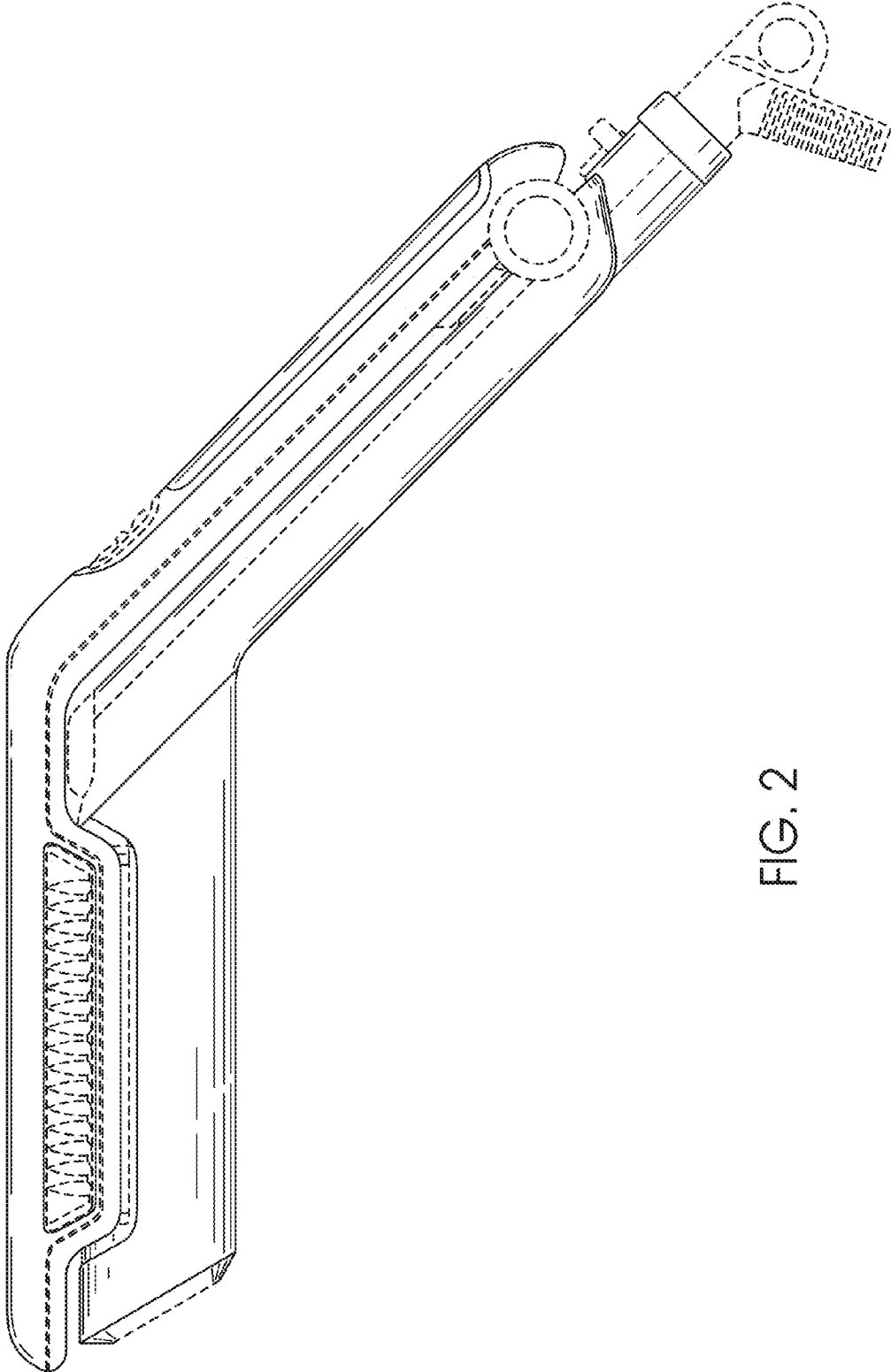


FIG. 2

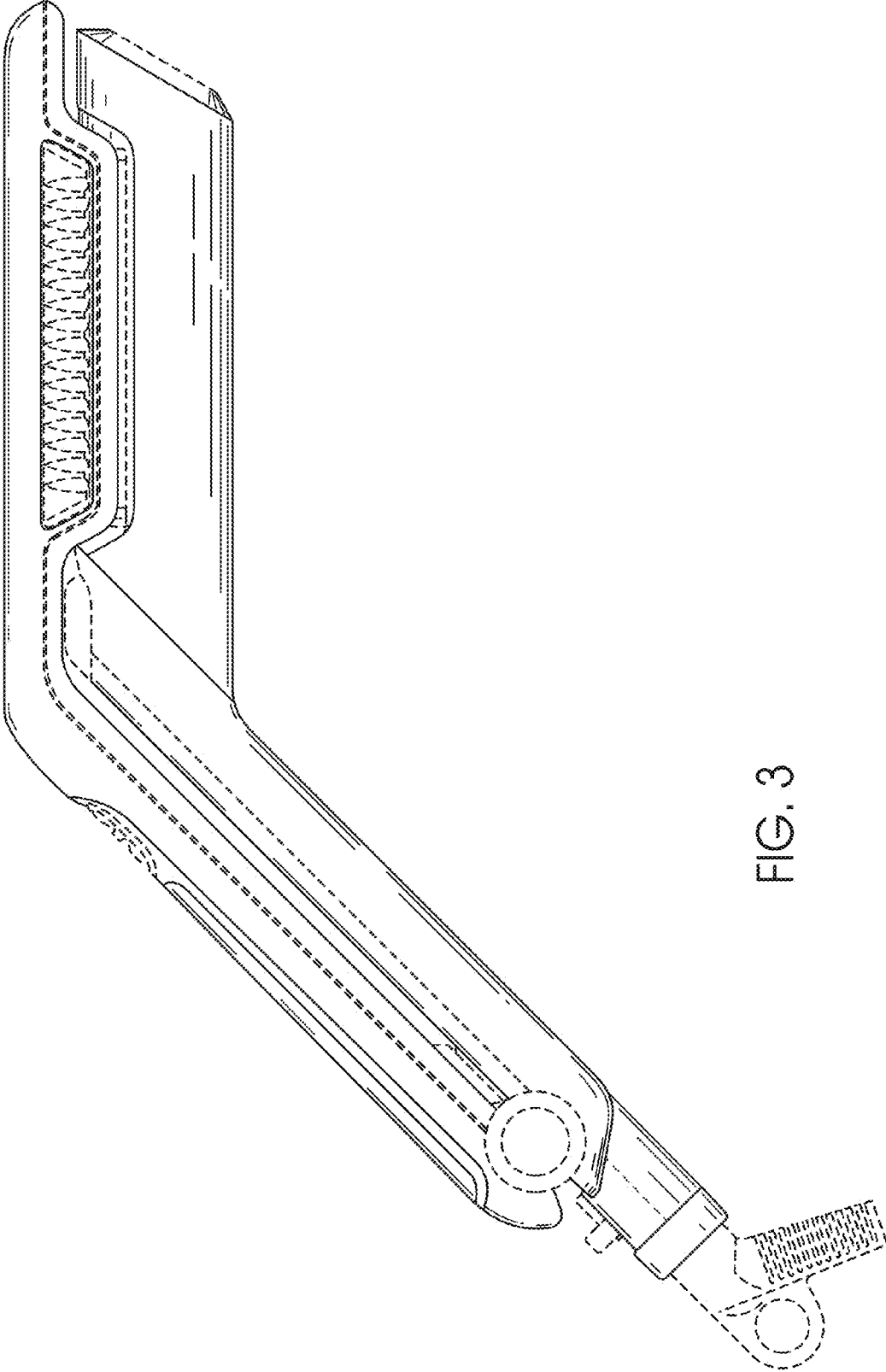


FIG. 3

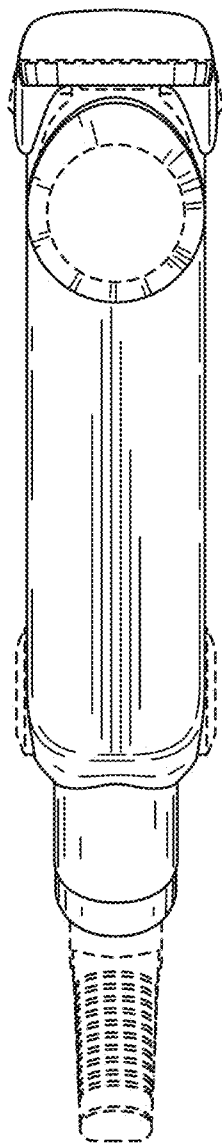


FIG. 4

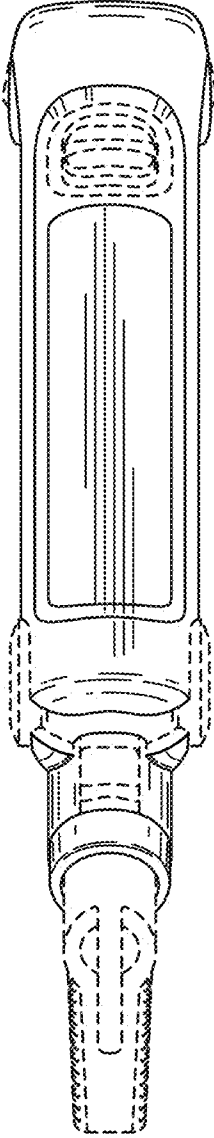


FIG. 5

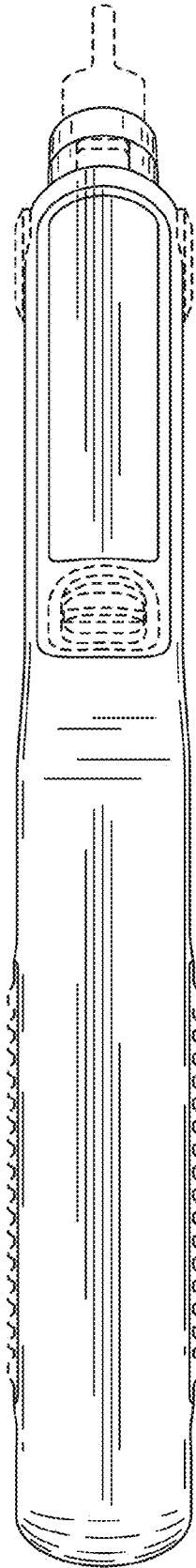


FIG. 6

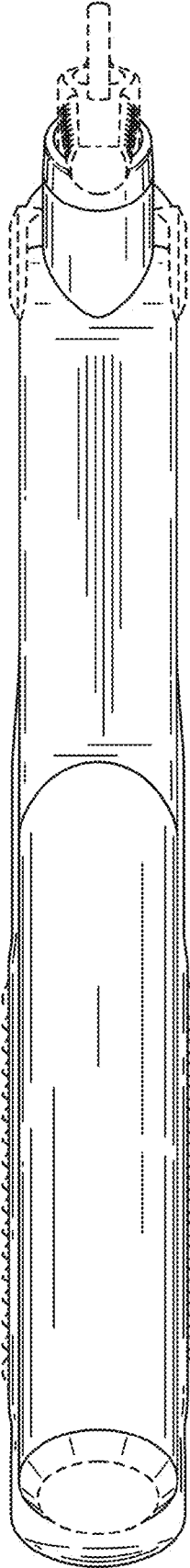


FIG. 7