



US00D399631S

United States Patent [19] Campbell

[11] Patent Number: **Des. 399,631**

[45] Date of Patent: ****Oct. 13, 1998**

[54] **PALLET**

[75] Inventor: **Robert William Campbell**, Hamilton, New Zealand

[73] Assignee: **Pallenz Limited**, Hamilton, New Zealand

[**] Term: **14 Years**

[21] Appl. No.: **33,801**

[22] Filed: **Jan. 20, 1995**

[51] **LOC (6) Cl.** **09-08**

[52] **U.S. Cl.** **D34/38**

[58] **Field of Search** D34/28, 38; 108/51.1, 108/52.1, 53.1, 53.3, 55.3, 56.3, 57.1; 248/346

[56] **References Cited**

U.S. PATENT DOCUMENTS

- D. 226,844 5/1973 Box D34/38
- D. 246,296 11/1977 Fujii D34/38

- D. 316,319 4/1991 Bathon D34/38
- 3,613,605 10/1971 Holdredge 108/901
- 3,750,596 8/1973 Box 108/53.1
- 3,759,194 9/1973 Fujii 108/51.1

Primary Examiner—Alan P. Douglas
Assistant Examiner—Robin V. Taylor
Attorney, Agent, or Firm—Abelman, Frayne & Schwab

[57] **CLAIM**

The ornamental design for a pallet, as shown and described.

DESCRIPTION

FIG. 1 is a top perspective view of the pallet;
FIG. 2 is a top plan view thereof;
FIG. 3 is a bottom plan view thereof;
FIG. 4 is a right side view thereof, the left side being identical; and,
FIG. 5 is a front side view of the pallet, the rear side view being identical with FIG. 5.

1 Claim, 4 Drawing Sheets

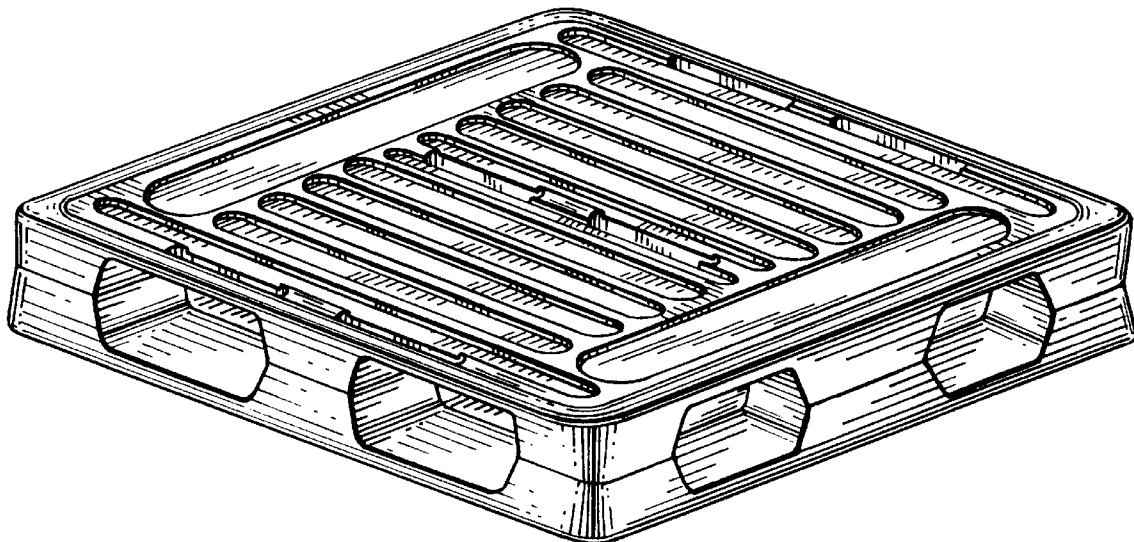


FIG. 1

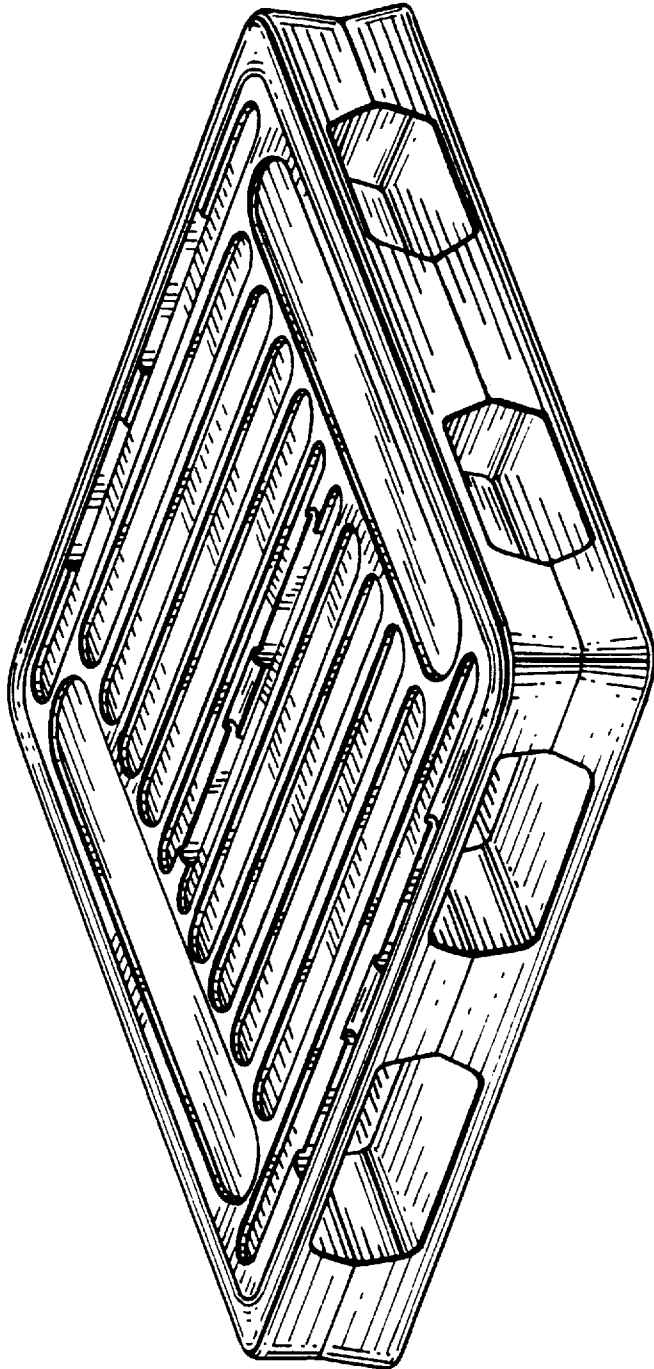


FIG. 2

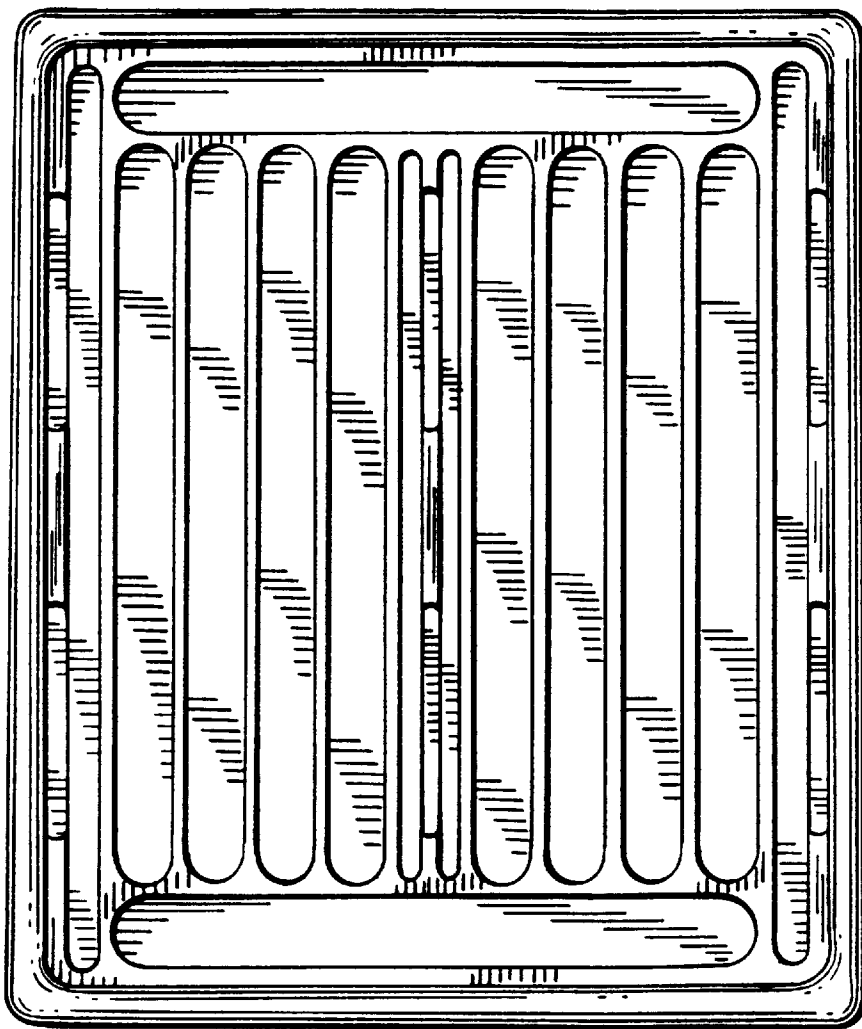


FIG. 3

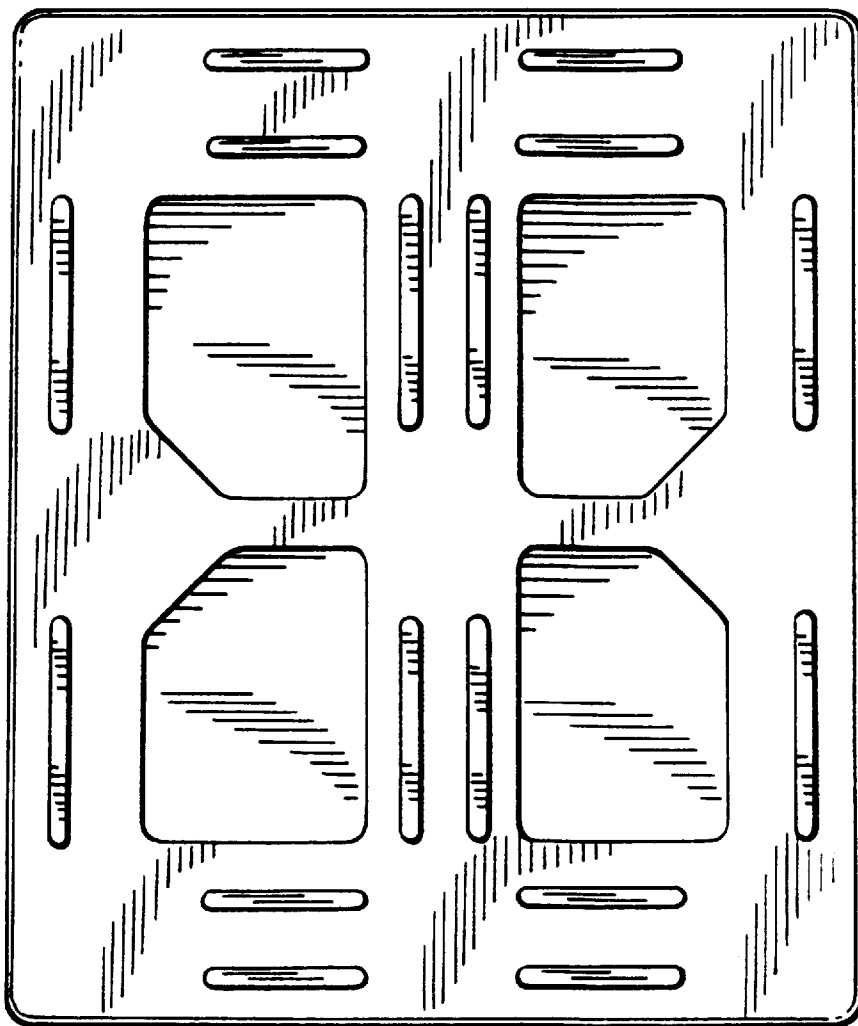


FIG. 4

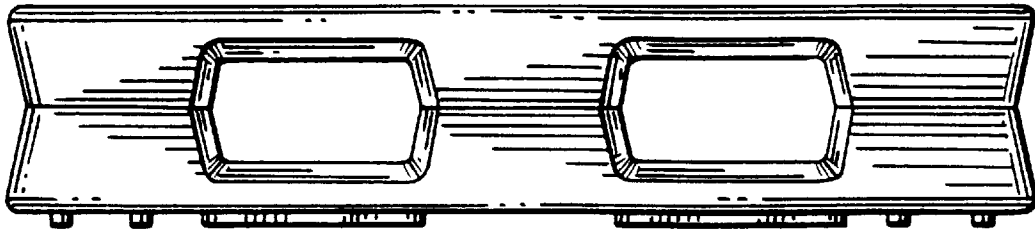


FIG. 5

