



US00D480974S

(12) **United States Design Patent** (10) **Patent No.:** **US D480,974 S**  
**Blank** (45) **Date of Patent:** **\*\* Oct. 21, 2003**

(54) **CONTAINER**  
(75) **Inventor:** **Phillip M. Blank**, Scottsdale, AZ (US)  
(73) **Assignee:** **Captive Plastics, Inc.**, Piscataway, NJ (US)  
(\*\*) **Term:** **14 Years**  
(21) **Appl. No.:** **29/129,466**  
(22) **Filed:** **Sep. 14, 2000**  
(51) **LOC (7) Cl.** ..... **09-01**  
(52) **U.S. Cl.** ..... **D9/543; D9/560; D9/571**  
(58) **Field of Search** ..... **D9/500, 516, 530, D9/541, 543, 546, 550, 563, 575, 560; 215/381-385, 396, 398**

5,261,544 A \* 11/1993 Weaver, Jr. .... 215/384  
D370,850 S \* 6/1996 Beaver ..... D9/543  
D382,807 S \* 8/1997 Silvers et al. .... D9/520  
D389,067 S \* 1/1998 Lown ..... D9/543  
D423,366 S \* 4/2000 Gans ..... D9/541  
D426,469 S \* 6/2000 Mankowski et al. .... D9/541  
D448,671 S \* 10/2001 Gans et al. .... D9/527

\* cited by examiner

*Primary Examiner*—Ted Shooman  
*Assistant Examiner*—Carol Rademaker  
(74) *Attorney, Agent, or Firm*—Caesar, Rivise, Bernstein, Cohen & Pokotilow, Ltd.

(57) **CLAIM**

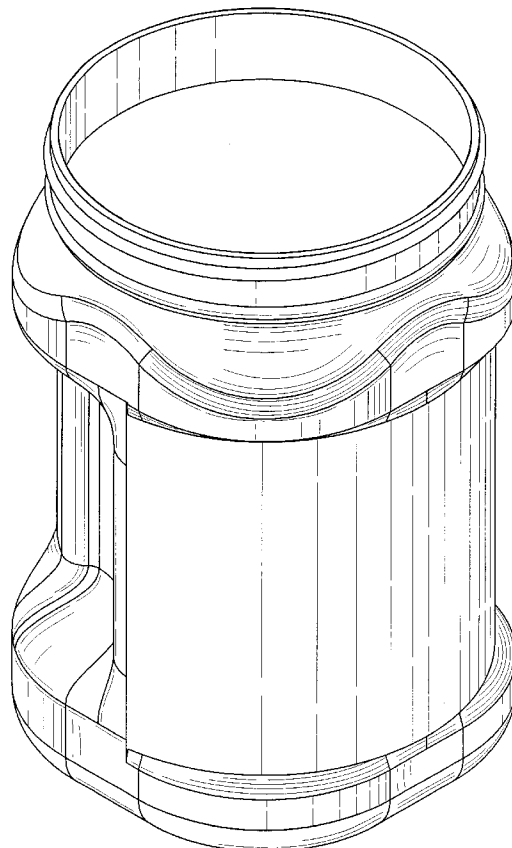
The ornamental design for a container, as shown and described.

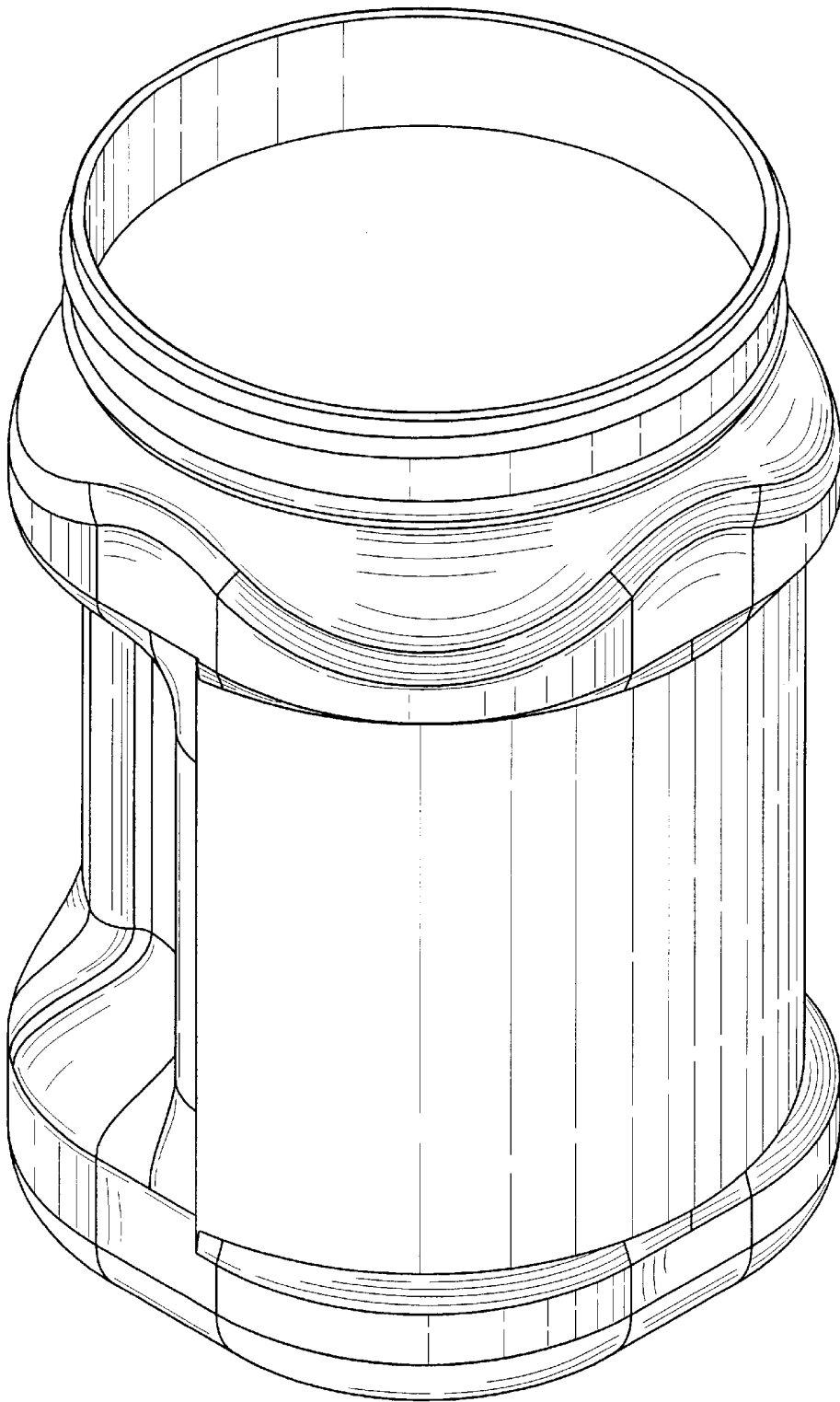
**DESCRIPTION**

FIG. 1 is a top front perspective view of the container of my new design;  
FIG. 2 is a front elevation thereof;  
FIG. 3 is a rear elevation thereof;  
FIG. 4 is a left side elevation thereof (the right side elevation being a mirror image of the left side elevation);  
FIG. 5 is a top plan view thereof; and,  
FIG. 6 is a bottom plan view thereof.

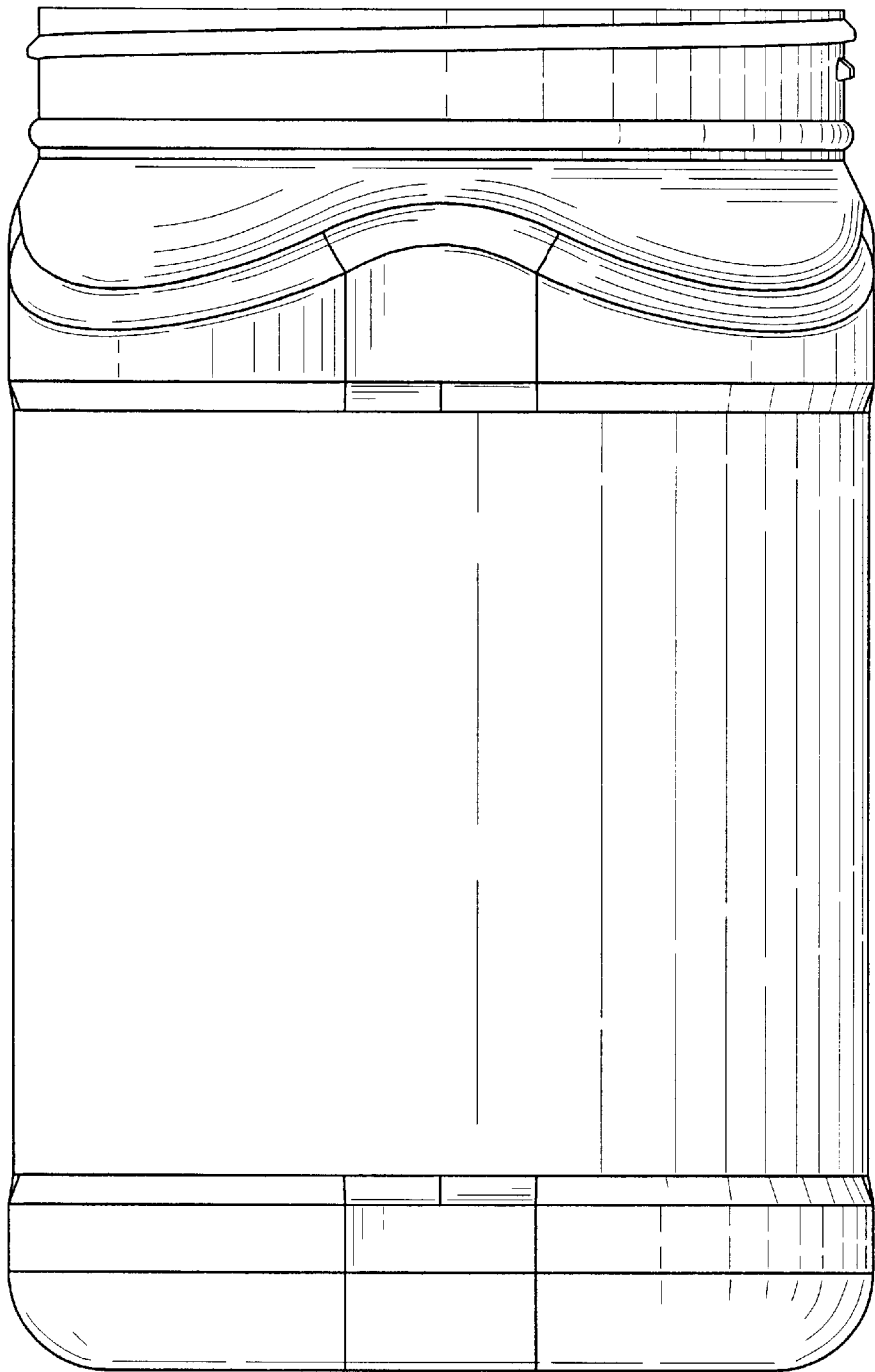
**1 Claim, 5 Drawing Sheets**

(56) **References Cited**  
**U.S. PATENT DOCUMENTS**  
D25,354 S \* 4/1896 Smalley ..... D9/522  
D98,899 S \* 3/1936 Werts ..... D9/566  
D198,287 S \* 5/1964 Hulterstrum ..... D9/543  
D209,018 S \* 10/1967 Holtz ..... D9/543  
D223,808 S \* 6/1972 Beaver ..... D9/542  
D270,331 S \* 8/1983 Benson ..... D9/520  
D289,377 S \* 4/1987 Ashby et al. .... D9/529  
D307,394 S \* 4/1990 Wetherell, Jr. .... D9/543  
D331,879 S \* 12/1992 Curzon et al. .... D9/549

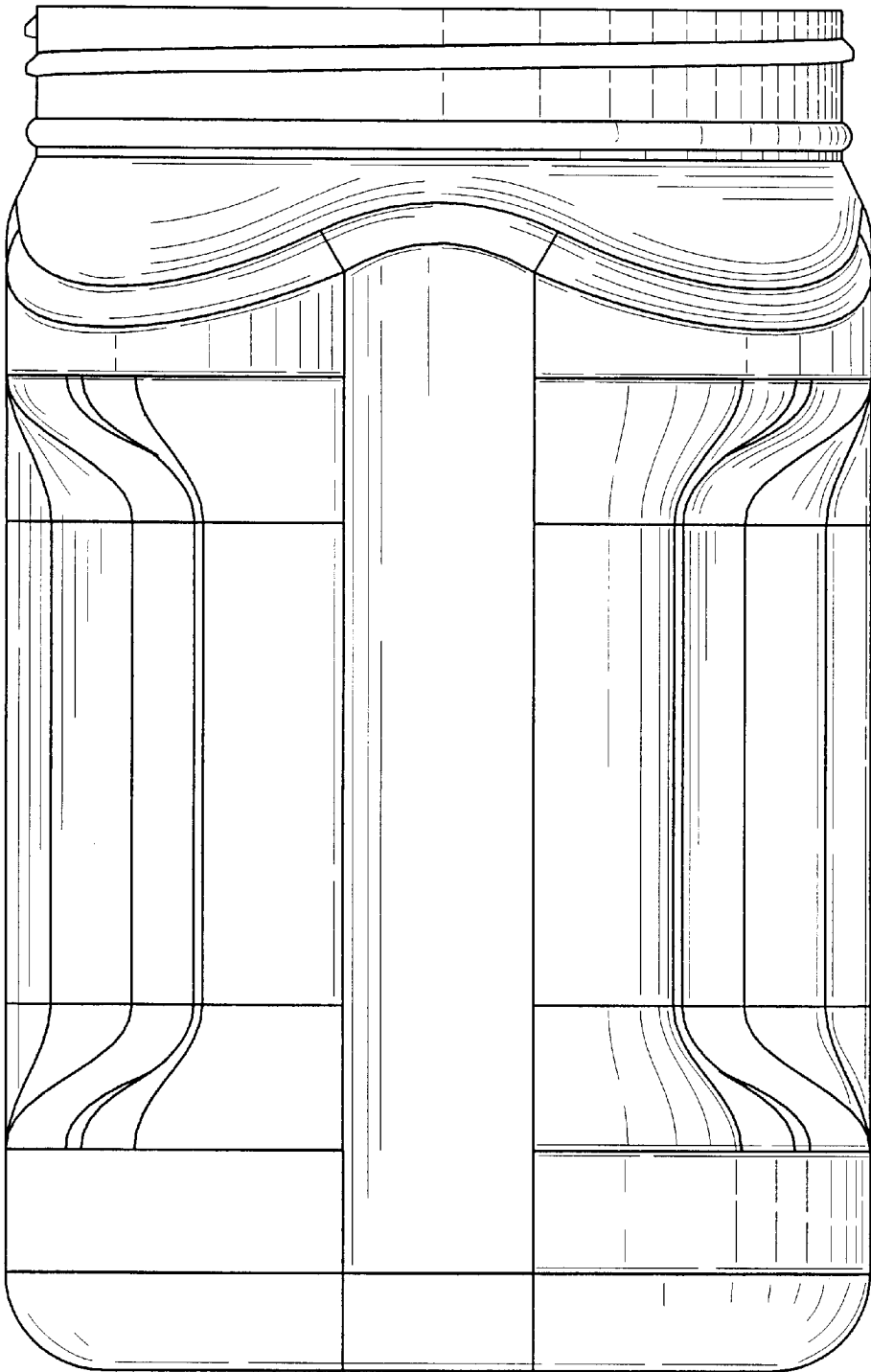




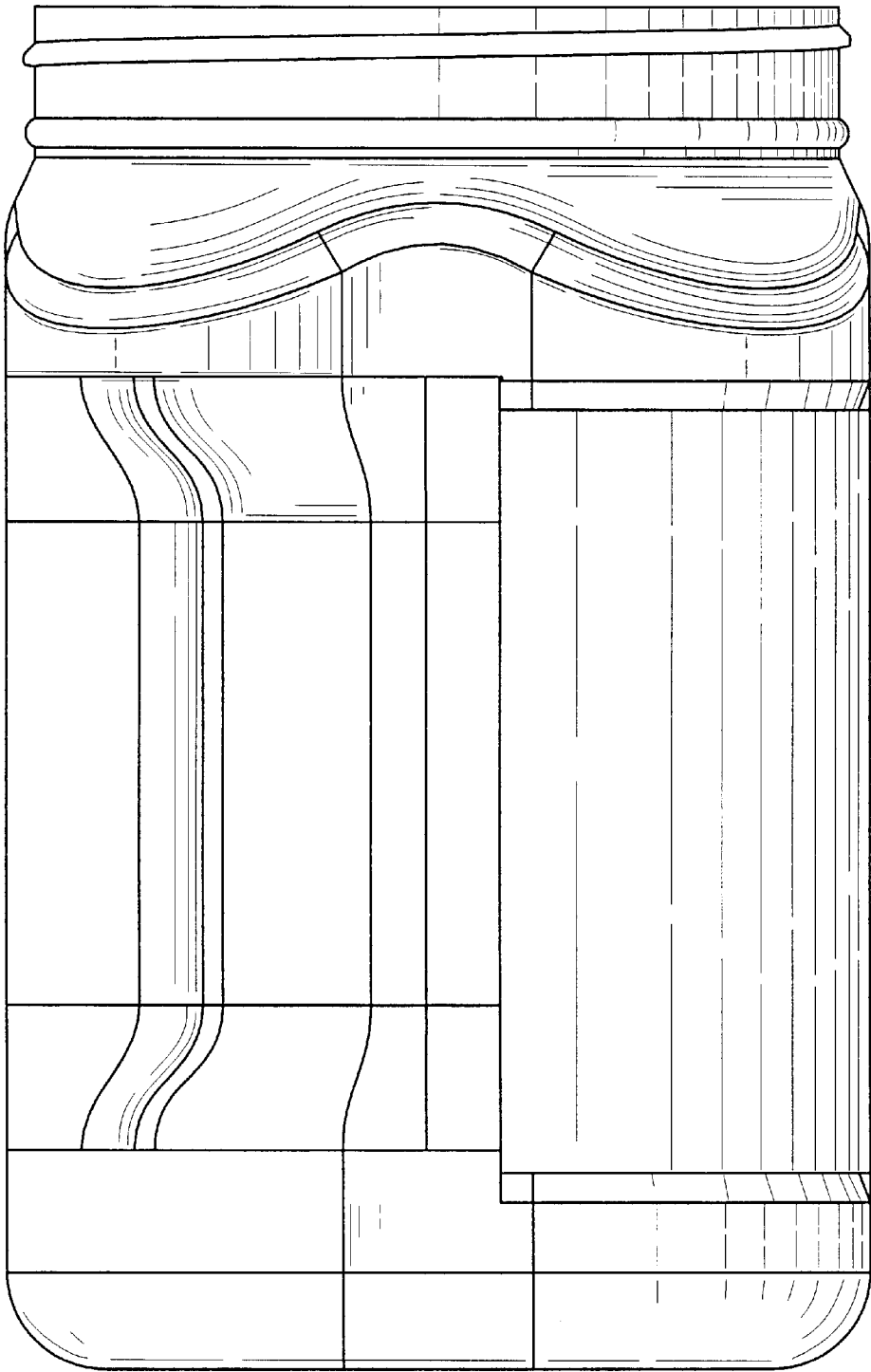
***FIG. 1***



**FIG. 2**

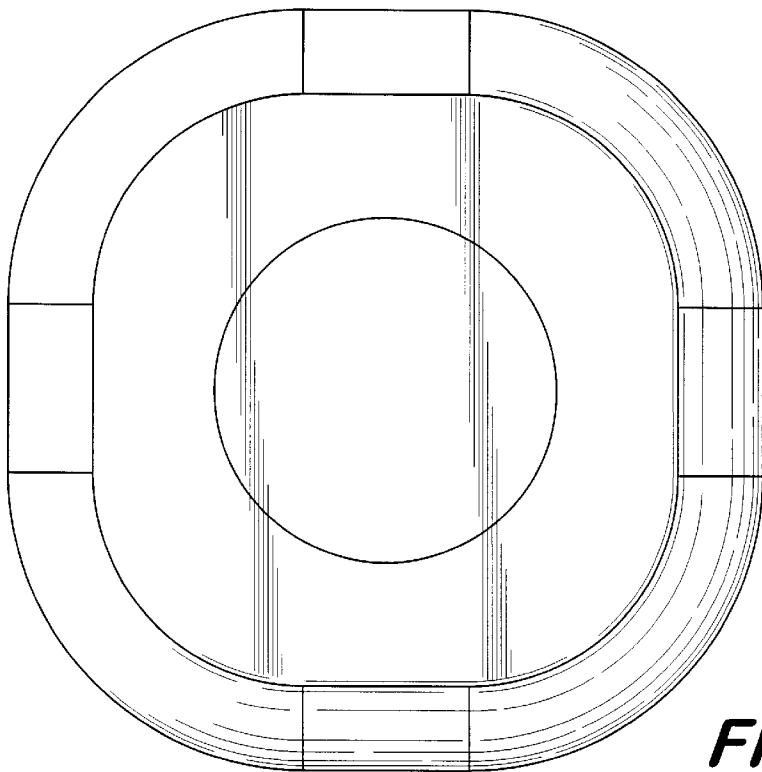
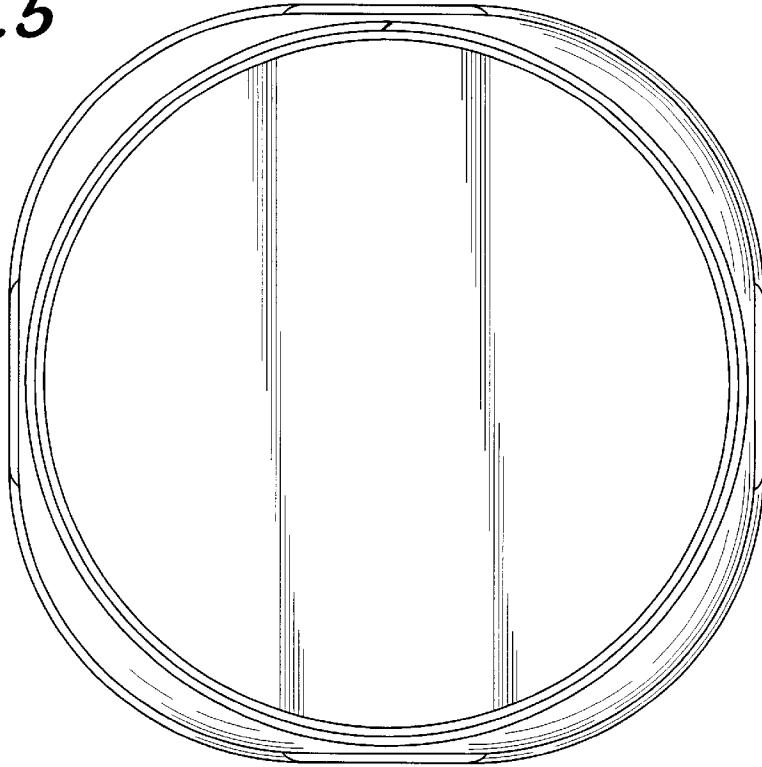


**FIG. 3**



**FIG.4**

**FIG. 5**



**FIG. 6**