



US00D617272S

(12) **United States Design Patent**  
**The**

(10) **Patent No.:** **US D617,272 S**

(45) **Date of Patent:** **\*\* Jun. 8, 2010**

(54) **FEMALE CONNECTOR**

D588,549 S *	3/2009	Lee et al. ....	D13/154
D596,125 S *	7/2009	Norin et al. ....	D13/133
D597,946 S *	8/2009	Li .....	D13/133

(75) Inventor: **Agus Suryana The**, Mesa, AZ (US)

(73) Assignee: **iGo., Inc.**, Scottsdale, AZ (US)

\* cited by examiner

(\*\*) Term: **14 Years**

*Primary Examiner*—Daniel D Bui

*Assistant Examiner*—Thomas J Johannes

(21) Appl. No.: **29/339,687**

(74) *Attorney, Agent, or Firm*—Snell & Wilmer

(22) Filed: **Jul. 6, 2009**

(57) **CLAIM**

(51) **LOC (9) Cl.** ..... **13-03**

The ornamental design for the female connector, as shown and described.

(52) **U.S. Cl.** ..... **D13/133**

(58) **Field of Classification Search** ..... D13/133,  
D13/146, 147, 151, 154, 184, 199; 439/246,  
439/252, 306, 476.1, 578, 580, 583, 584,  
439/585, 805; 174/75 C  
See application file for complete search history.

**DESCRIPTION**

FIG. 1 is a front, bottom, side perspective view of a female connector showing my new design;

FIG. 2 is a front view thereof;

FIG. 3 is a back view thereof;

FIG. 4 is a bottom view thereof;

FIG. 5 is a top view thereof;

FIG. 6 is a first side view thereof; and,

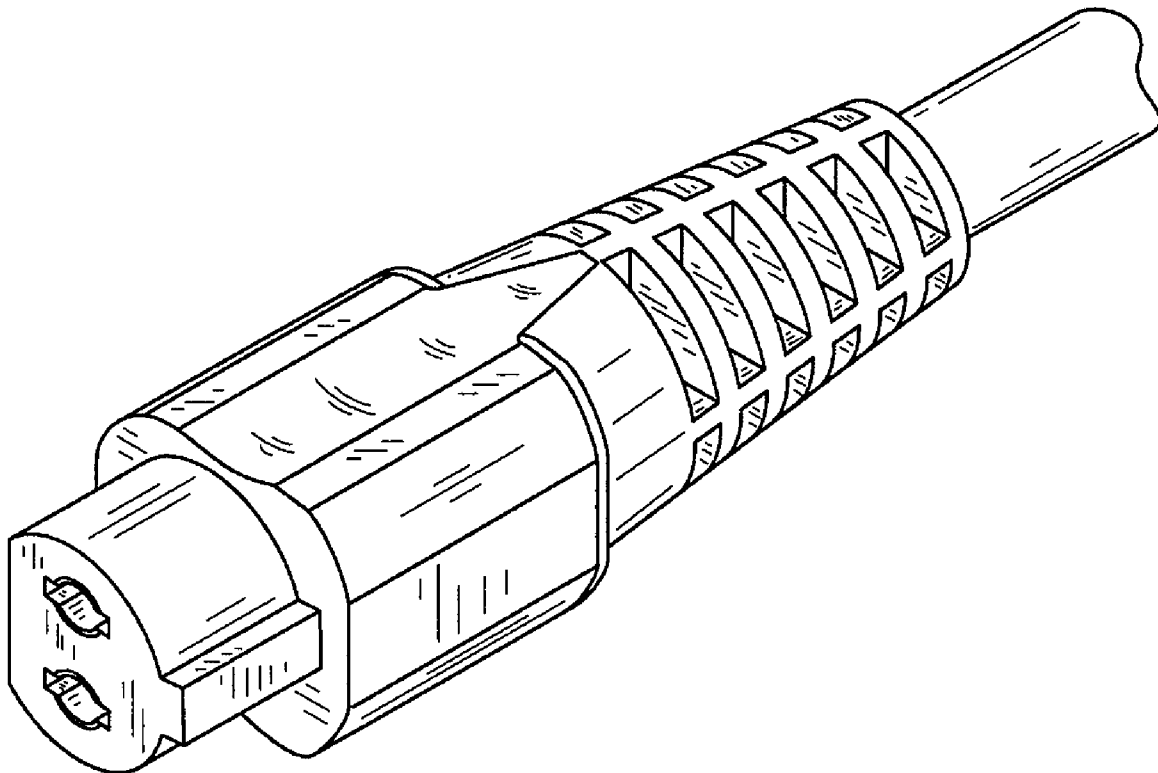
FIG. 7 is a second side view thereof.

(56) **References Cited**

U.S. PATENT DOCUMENTS

D381,628 S *	7/1997	Ashida .....	D13/147
D412,312 S *	7/1999	Myers .....	D13/146
D435,830 S *	1/2001	Cheng .....	D13/133
D562,769 S *	2/2008	Ashida et al. ....	D13/133
D574,775 S *	8/2008	Amidon .....	D13/133
D586,750 S *	2/2009	Li .....	D13/133

**1 Claim, 4 Drawing Sheets**



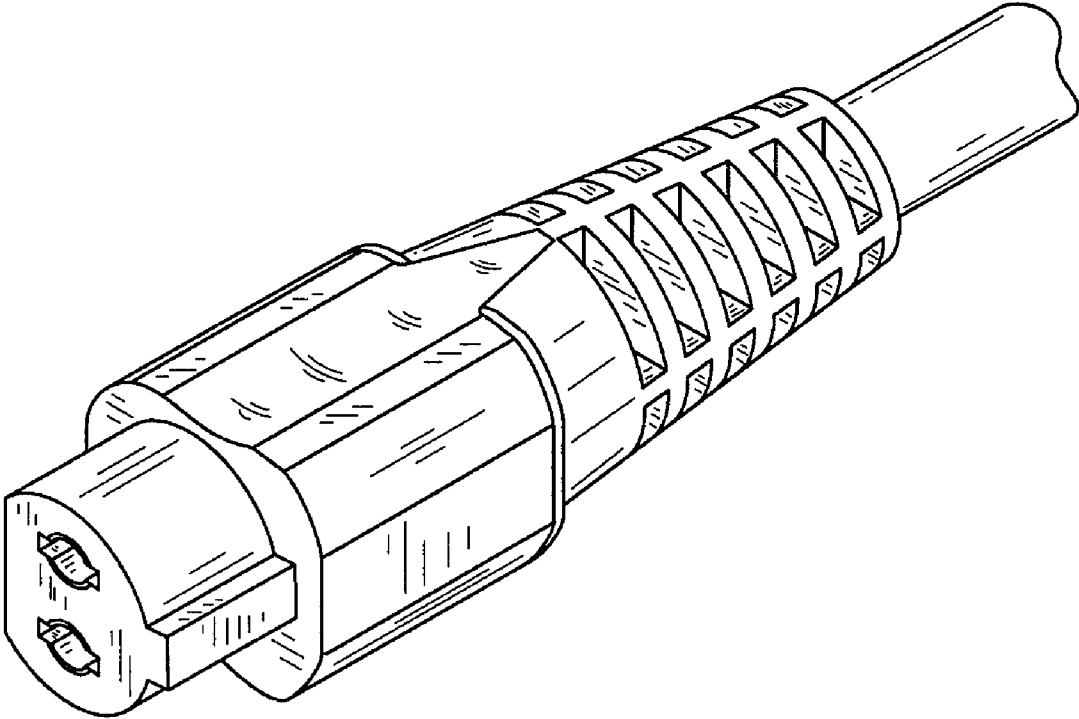


FIG. 1

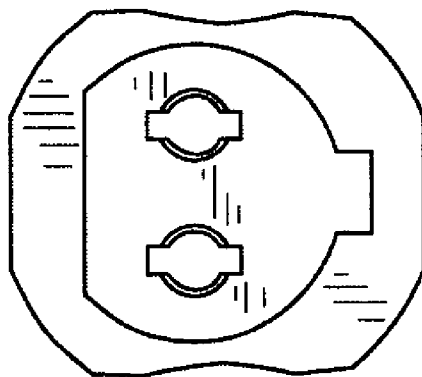


FIG. 2

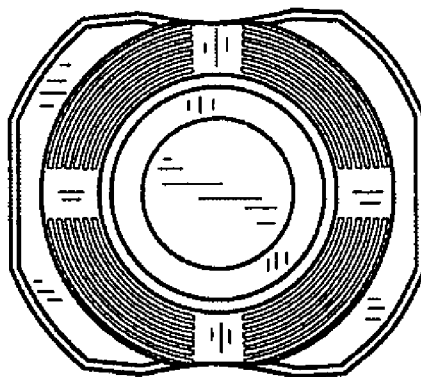


FIG. 3

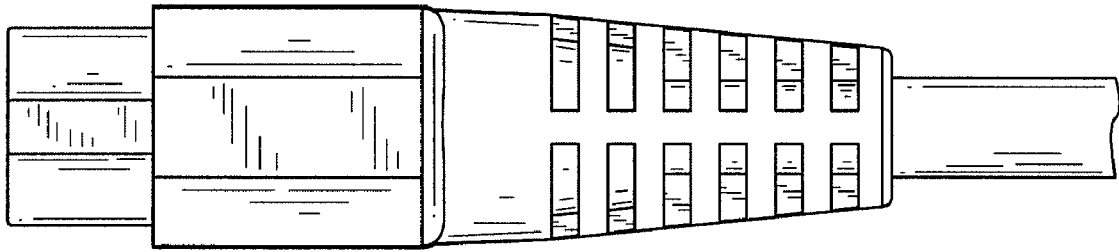


FIG. 4

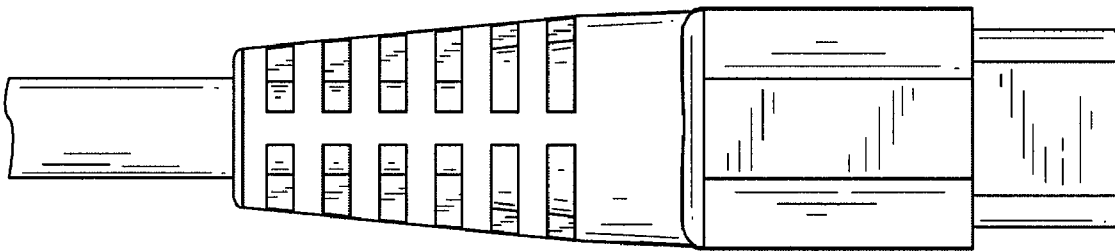


FIG. 5

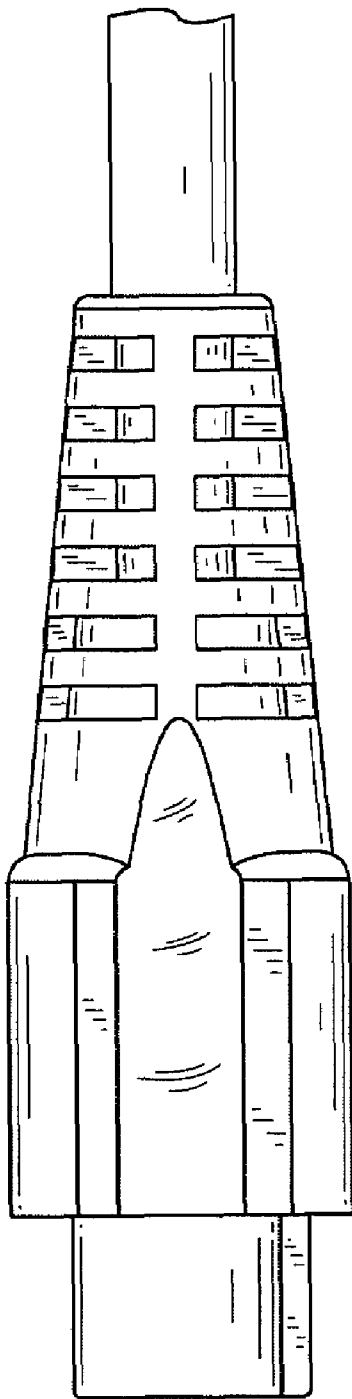


FIG. 6

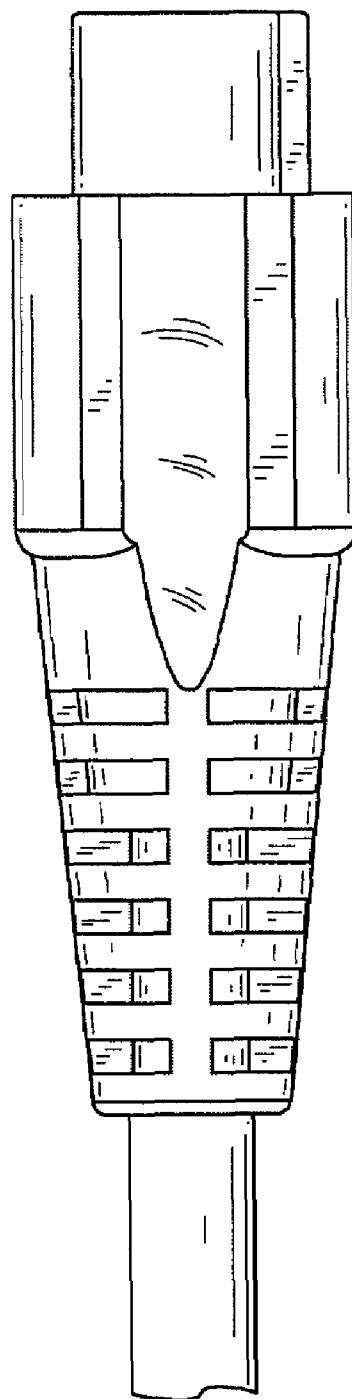


FIG. 7