



US0D1042372S

(12) **United States Design Patent** (10) **Patent No.:** **US D1,042,372 S**  
**Fourie et al.** (45) **Date of Patent:** **\*\* Sep. 17, 2024**

(54) **HEAT SINK** 6,966,357 B1 \* 11/2005 Herbert ..... F04D 17/02  
257/E23.099  
(71) Applicant: **POYNTING ANTENNAS (PTY) LIMITED**, Samrand (ZA) D574,792 S \* 8/2008 Sato ..... D13/182  
D576,964 S \* 9/2008 Shaner ..... D13/179  
D593,044 S \* 5/2009 Chen ..... D13/179  
(72) Inventors: **Andries Petrus Cronje Fourie**, Parkview (ZA); **Shane Michael Mundy**, Gauteng (ZA) D615,937 S \* 5/2010 Sato ..... D13/182  
D648,289 S \* 11/2011 Mayer ..... D13/182  
D786,201 S \* 5/2017 Bullimore ..... D13/179  
D962,879 S \* 9/2022 Kuo ..... D13/179  
(73) Assignee: **Poynting Antennas (PTY) Limited**, Tshwane (ZA) 2005/0231916 A1 \* 10/2005 Bahl ..... H01L 23/427  
257/E23.099

\* cited by examiner

*Primary Examiner* — April Rivas

(74) *Attorney, Agent, or Firm* — Nixon & Vanderhye P.C.

(\*\*) Term: **15 Years**

(21) Appl. No.: **29/854,562**

(22) Filed: **Sep. 26, 2022**

(51) **LOC (14) Cl.** ..... **13-03**

(52) **U.S. Cl.**  
USPC ..... **D13/179**

(58) **Field of Classification Search**  
USPC ..... D13/179, 182; D23/358, 370, 379, 411,  
D23/412  
CPC ..... H01L 23/367; H01L 23/3672; H01L  
23/4093; H01L 23/467; F28F 2215/00;  
F28F 2215/08  
See application file for complete search history.

(56) **References Cited**

**U.S. PATENT DOCUMENTS**

4,745,456 A \* 5/1988 Clemens ..... H01L 23/4093  
257/722  
D427,570 S \* 7/2000 Ishii ..... D13/182

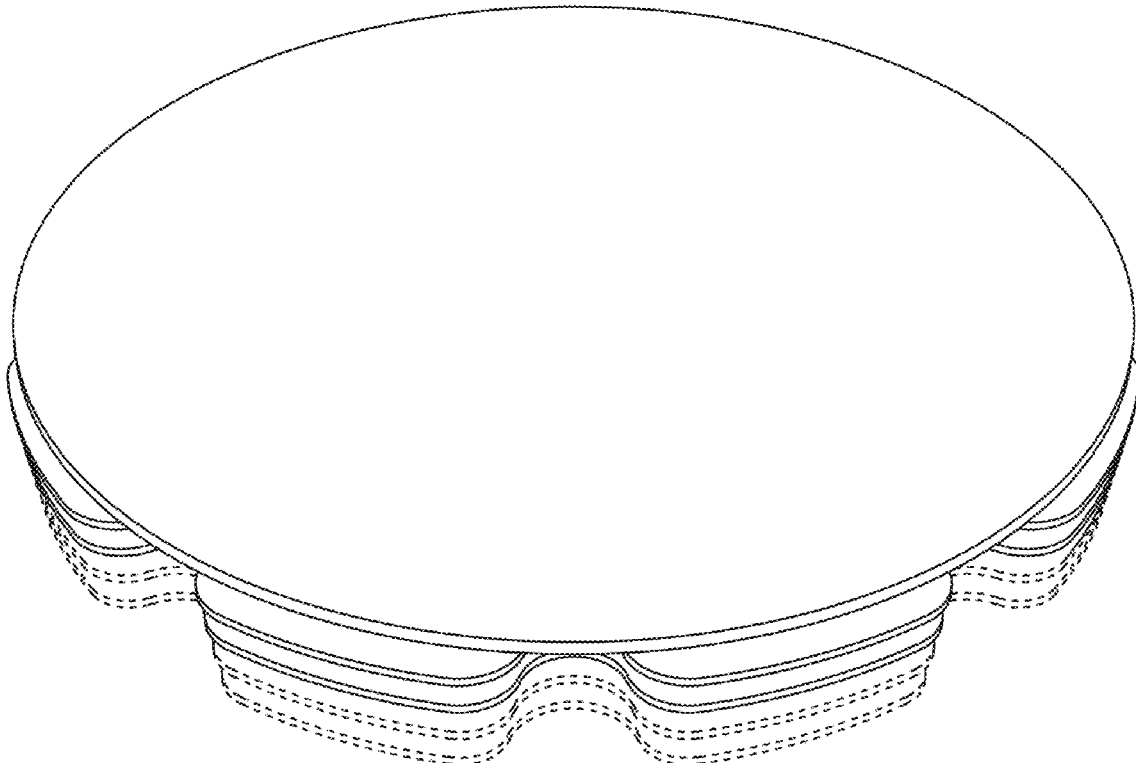
(57) **CLAIM**

The ornamental design for a heat sink, as shown and described.

**DESCRIPTION**

FIG. 1 is a top perspective view of a heat sink;  
FIG. 2 is a bottom perspective view thereof;  
FIG. 3 is a top plan view thereof;  
FIG. 4 is a bottom plan view thereof;  
FIG. 5 is a first side view thereof;  
FIG. 6 is an opposite first side view thereof;  
FIG. 7 is a second side view thereof; and,  
FIG. 8 is an opposite second side view thereof.  
The broken lines in the drawings illustrate portions of the article that form no part of the claimed design.

**1 Claim, 4 Drawing Sheets**



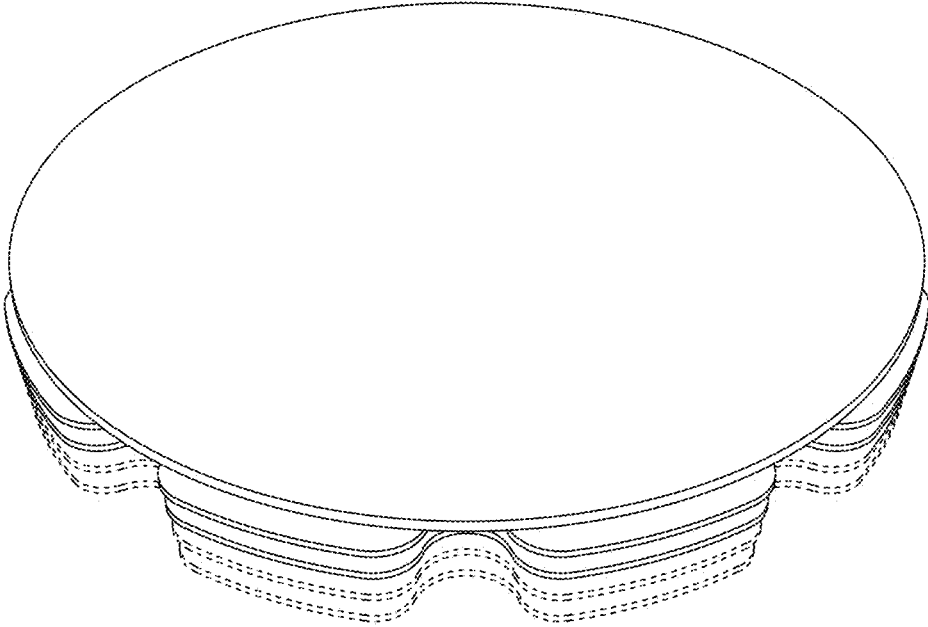


FIG. 1

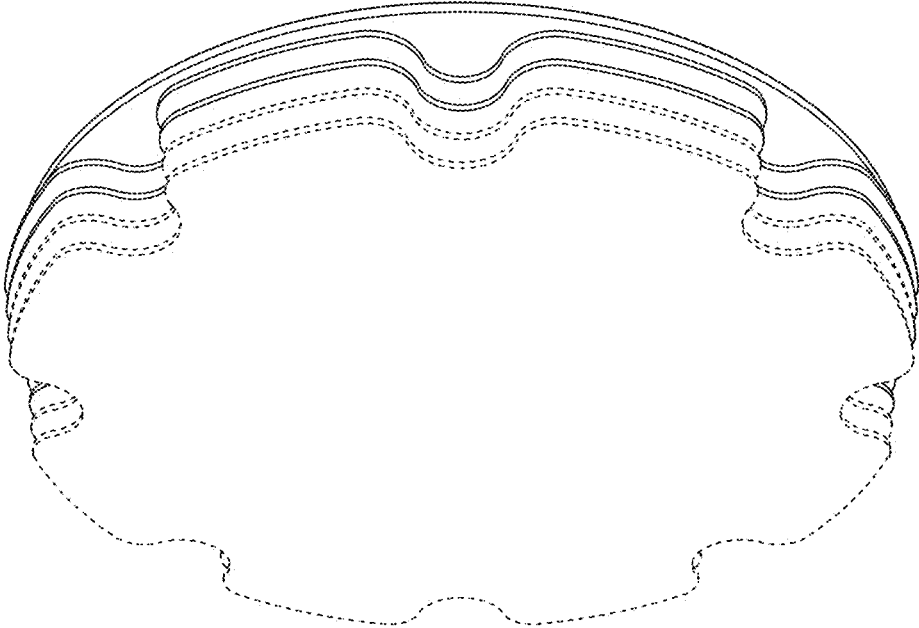


FIG. 2

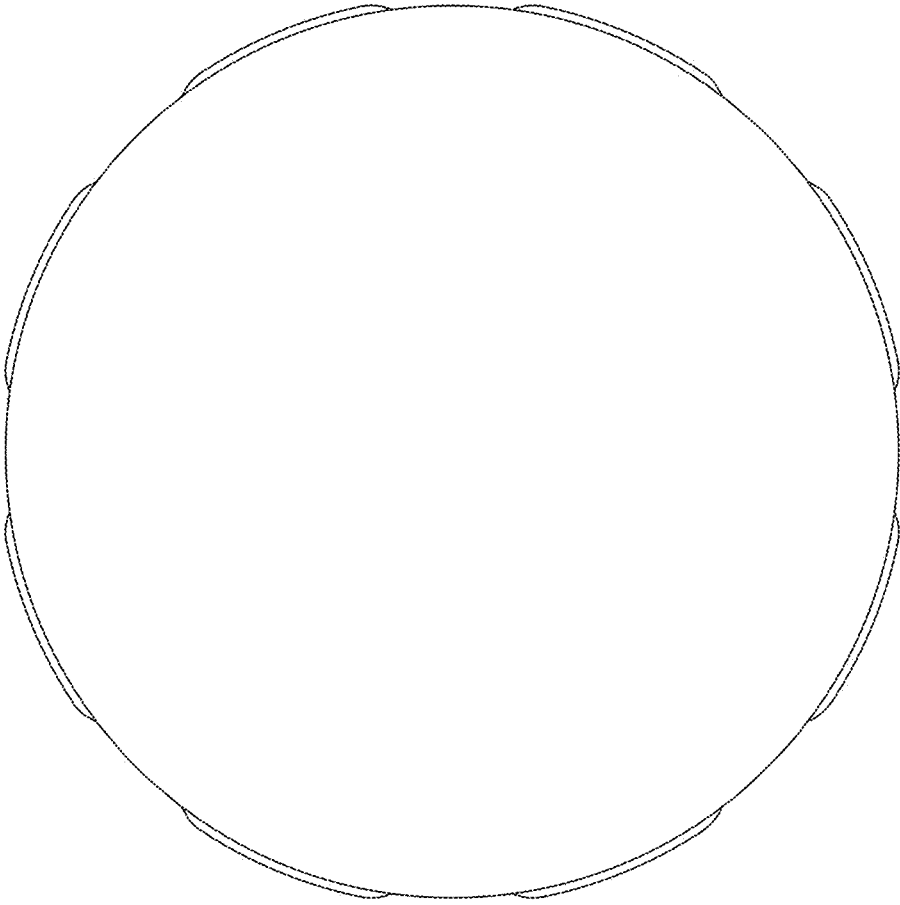


FIG. 3

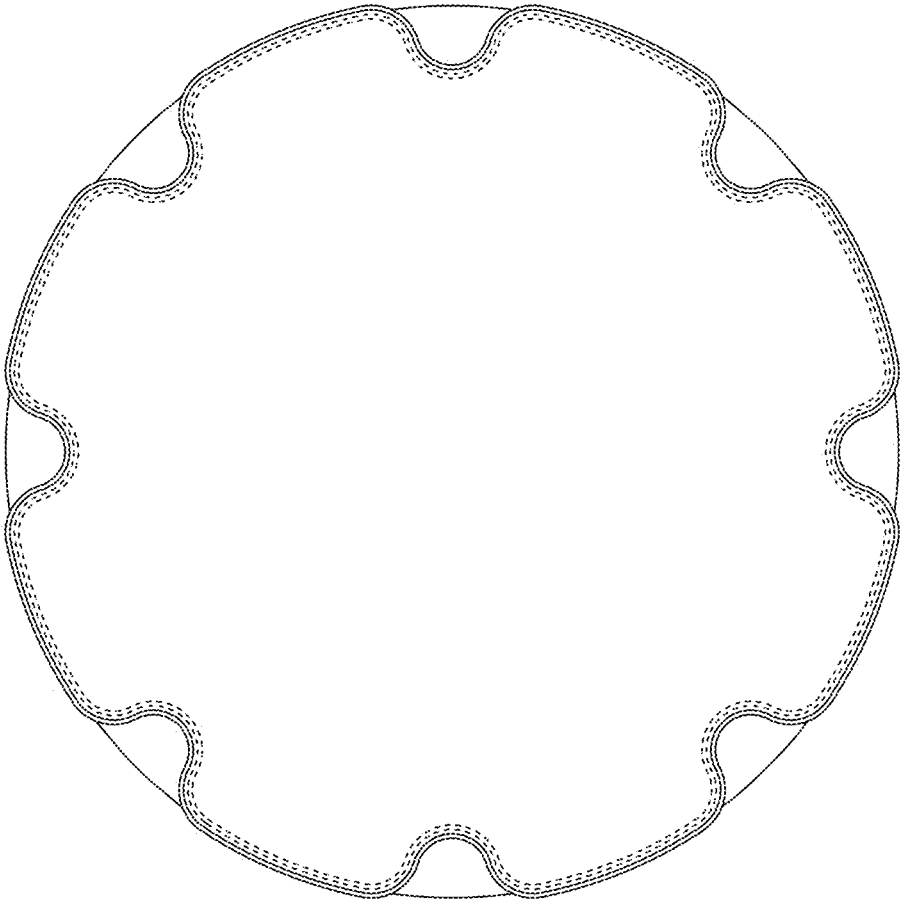


FIG. 4

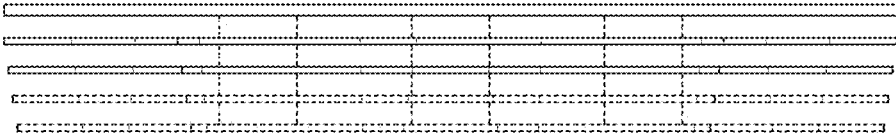


FIG. 5

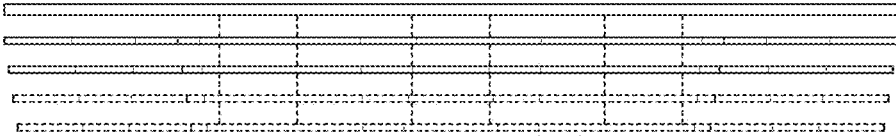


FIG. 6

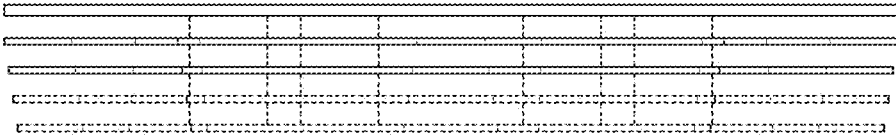


FIG. 7

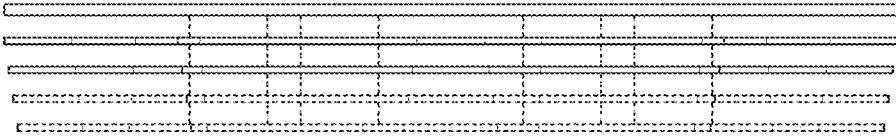


FIG. 8