



US00D782466S

(12) **United States Design Patent**
Yepez et al.

(10) **Patent No.:** **US D782,466 S**

(45) **Date of Patent:** **** Mar. 28, 2017**

(54) **TERMINAL**

(71) Applicant: **NCR Corporation**, Duluth, GA (US)

(72) Inventors: **Rafael Yepez**, Duluth, GA (US); **Kwan Lee**, Duluth, GA (US)

(73) Assignee: **NCR Corporation**, Duluth, GA (US)

(**) Term: **15 Years**

(21) Appl. No.: **29/558,705**

(22) Filed: **Mar. 21, 2016**

(51) **LOC (10) Cl.** **14-02**

(52) **U.S. Cl.**
USPC **D14/307**

(58) **Field of Classification Search**
USPC D14/167, 154, 168, 188, 496, 156, 160,
D14/161, 162, 163, 164, 165, 158, 253,
D14/192, 159, 155, 138 AB, 137, 104.1,
D14/307; 455/351, 350, 353; D10/104,
D10/106, 65, 78; 340/573.4, 573.1
CPC G08B 13/1672; G08B 13/19645; G08B
25/006; H04M 11/04
See application file for complete search history.

(56) **References Cited**

U.S. PATENT DOCUMENTS

D425,875 S *	5/2000	Wilson	D14/130
7,546,957 B2 *	6/2009	Melnik	G06Q 10/02 235/380
8,113,429 B2 *	2/2012	Craig	G06L 7/109 235/462.32
D661,293 S *	6/2012	Kuroda	D14/307

D676,038 S *	2/2013	Masuda	D14/307
D681,030 S *	4/2013	Yepez	D14/307
D690,293 S *	9/2013	Wilson	D14/307
D691,141 S *	10/2013	Cruz	D14/307
D693,803 S *	11/2013	Colley	D14/307
D695,285 S *	12/2013	Smith	D14/307
D707,674 S *	6/2014	Daniel	D14/307
D730,890 S *	6/2015	Kraft	D14/307
D732,522 S *	6/2015	Chadbourne	D14/307
D734,314 S *	7/2015	Swaine	D14/307
D751,061 S *	3/2016	Berini	D14/307
D763,247 S *	8/2016	Yepez	D14/307

* cited by examiner

Primary Examiner — Austin Murphy

(74) *Attorney, Agent, or Firm* — Paul W. Martin

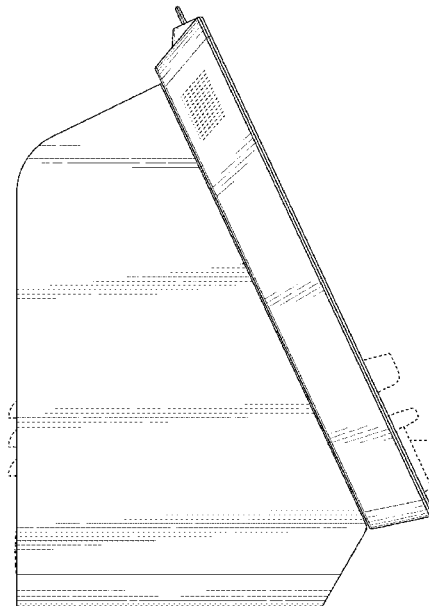
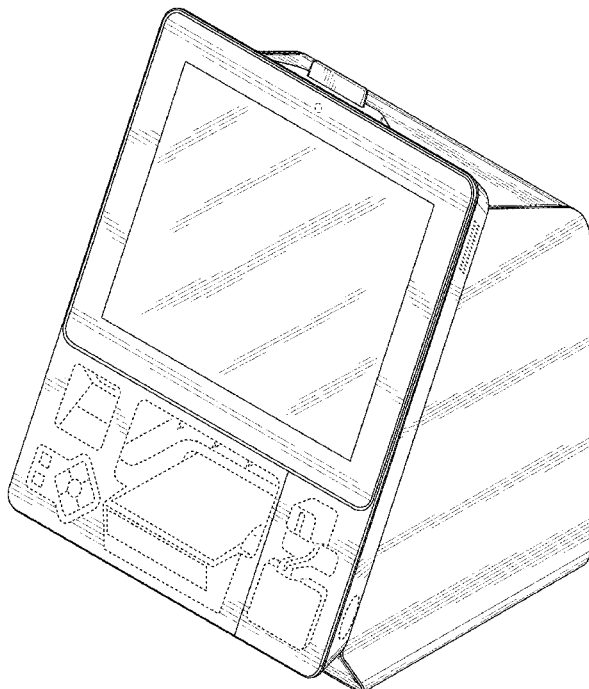
(57) **CLAIM**

The ornamental design for a terminal, as shown and described.

DESCRIPTION

FIG. 1 is a front perspective view of a terminal showing our new design;
FIG. 2 is a right side view thereof;
FIG. 3 is a left side view thereof;
FIG. 4 is a front view thereof;
FIG. 5 is a rear view thereof;
FIG. 6 is a top view thereof;
FIG. 7 is a bottom; and,
FIG. 8 is a front perspective view of the terminal on a pedestal.

1 Claim, 8 Drawing Sheets



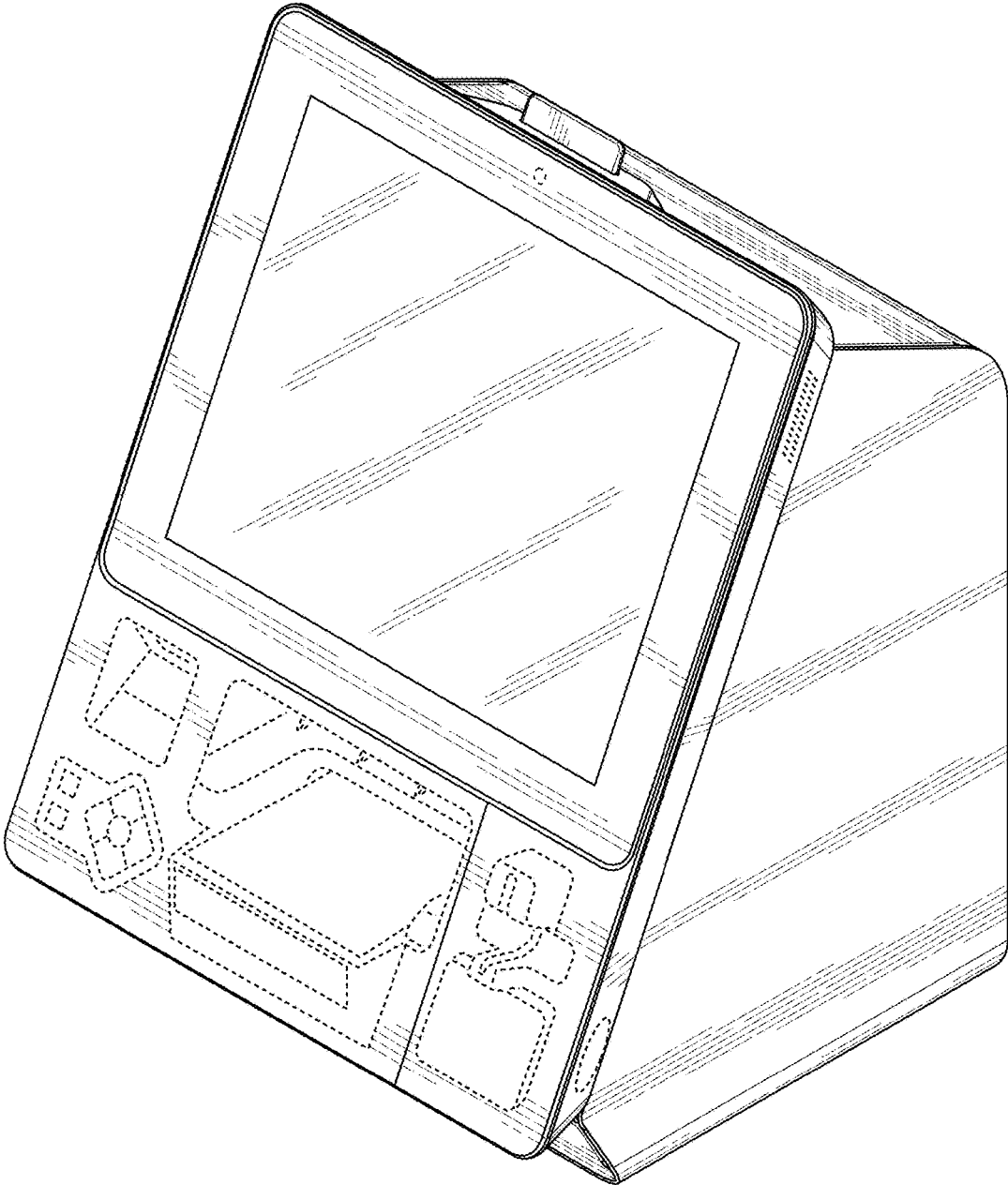


FIG. 1

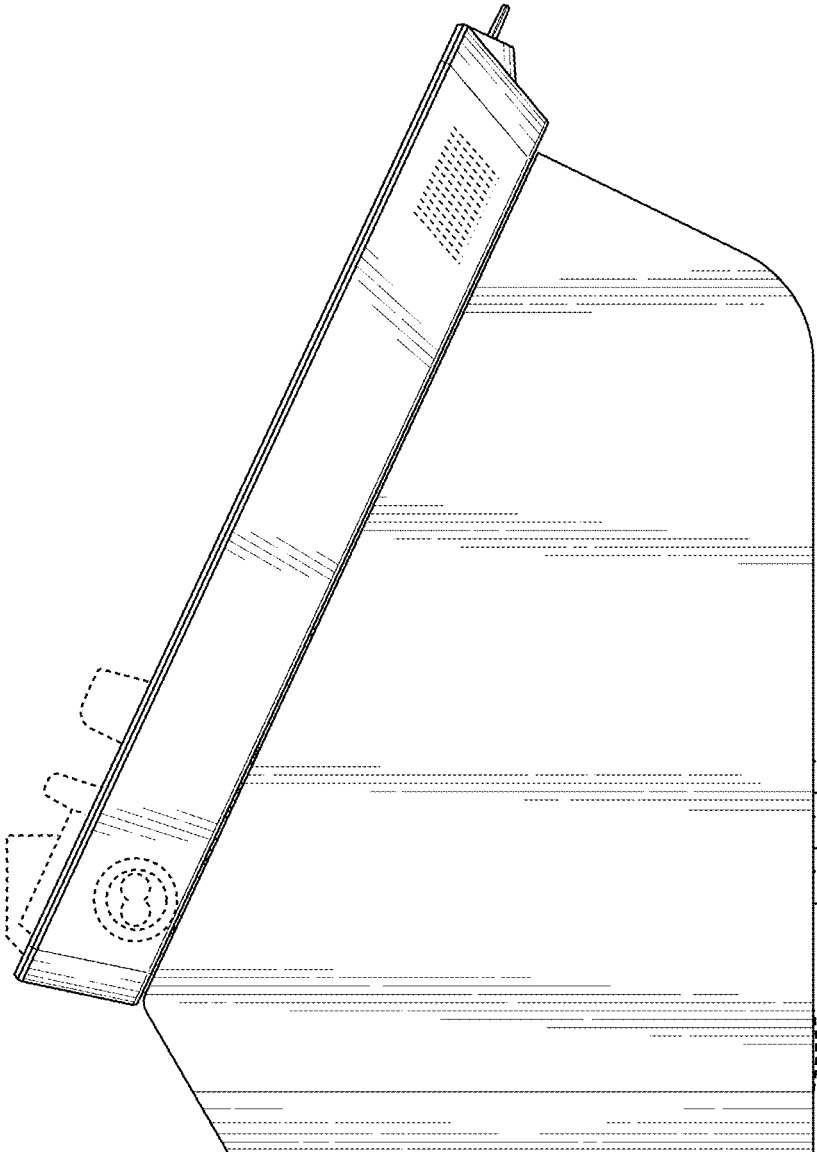


FIG. 2

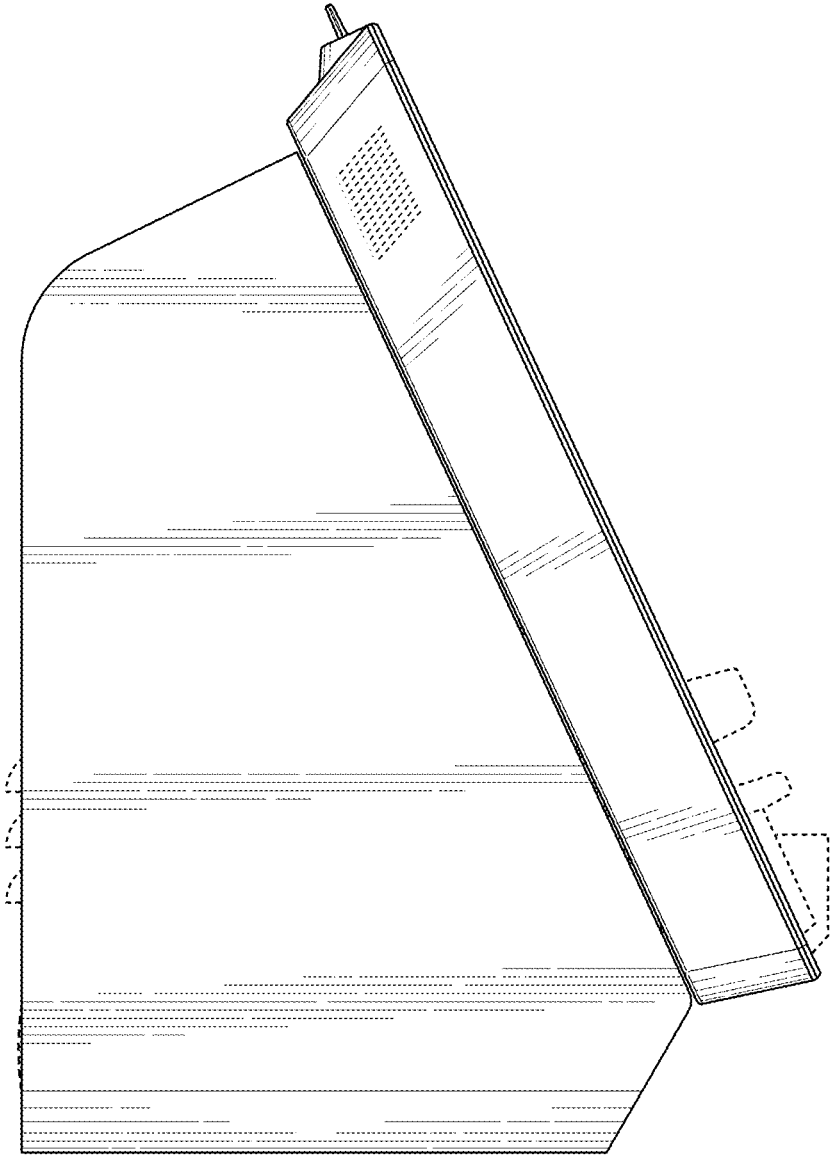


FIG. 3

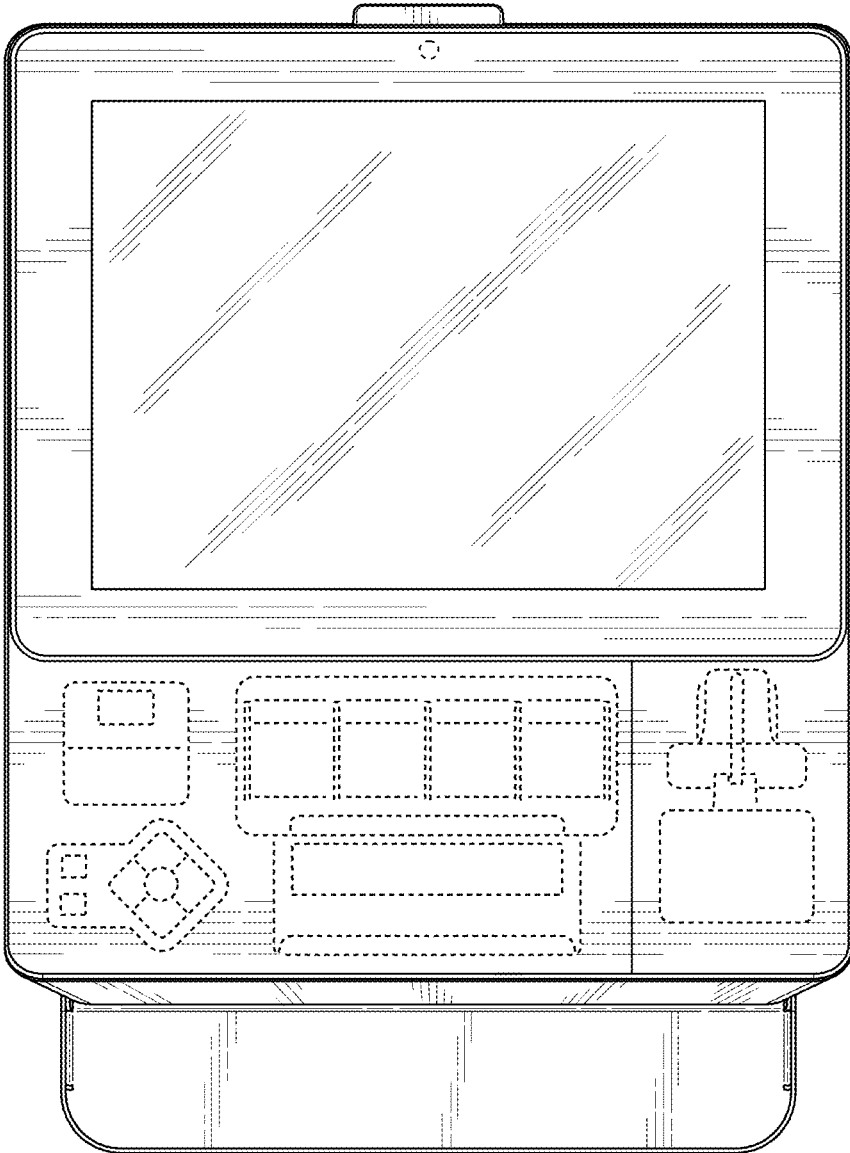


FIG. 4

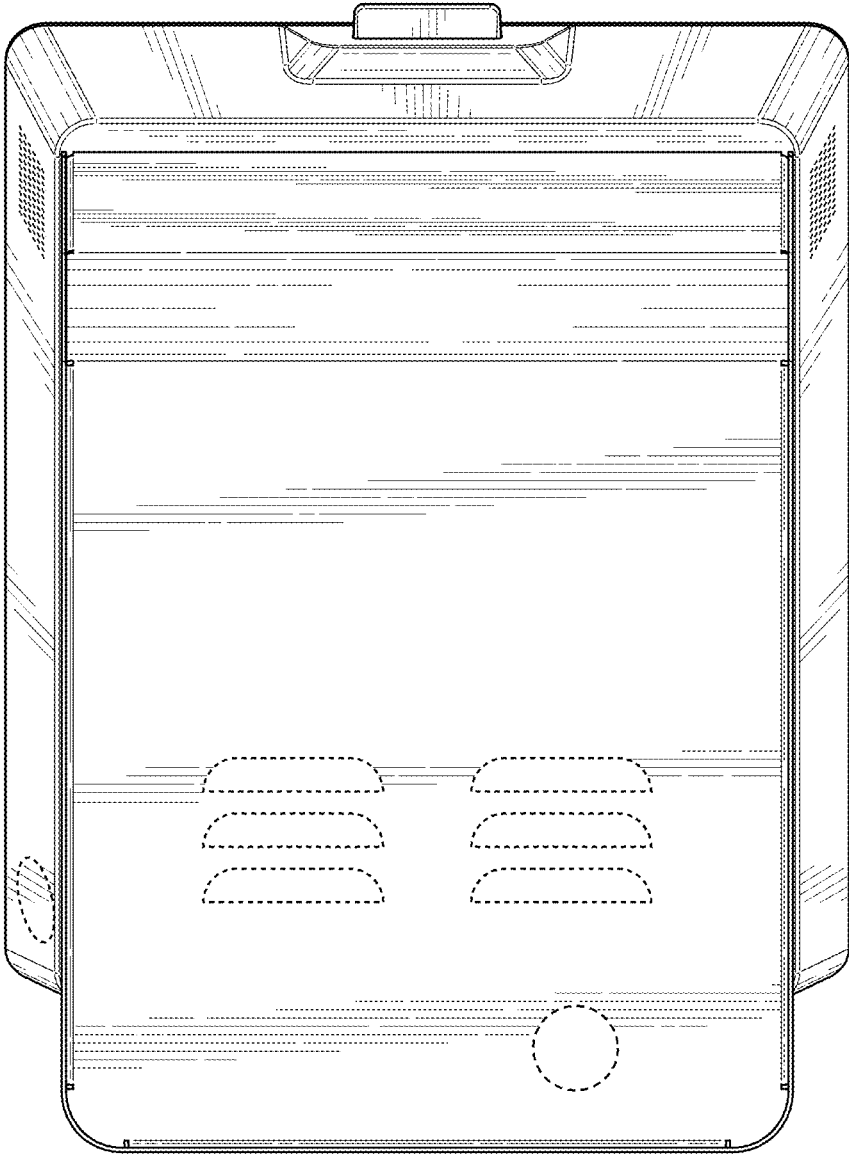


FIG. 5

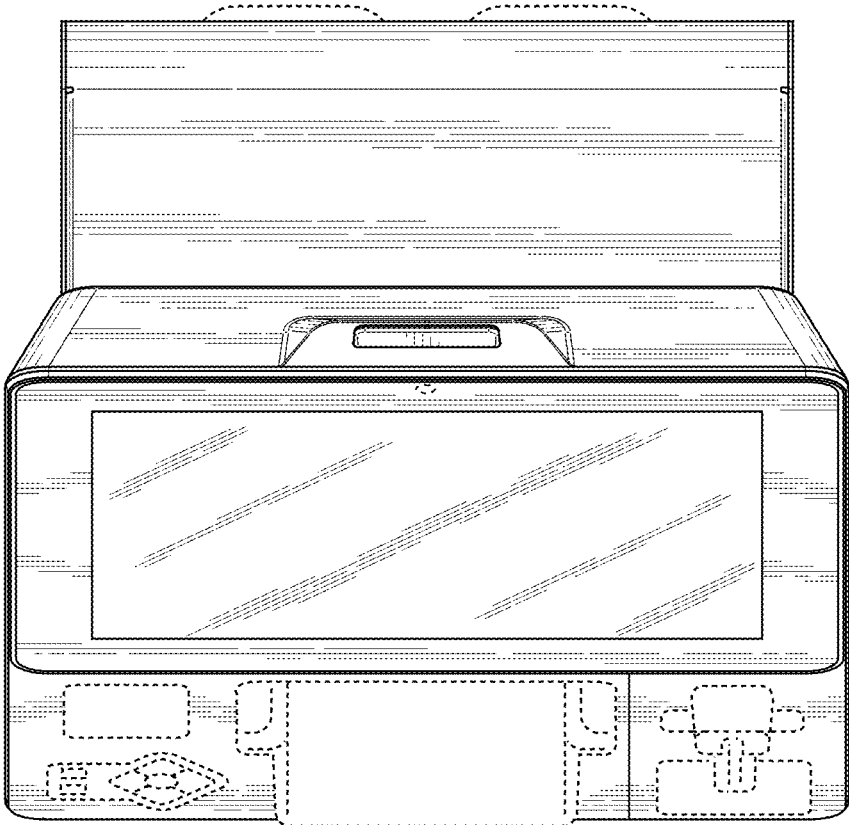


FIG. 6

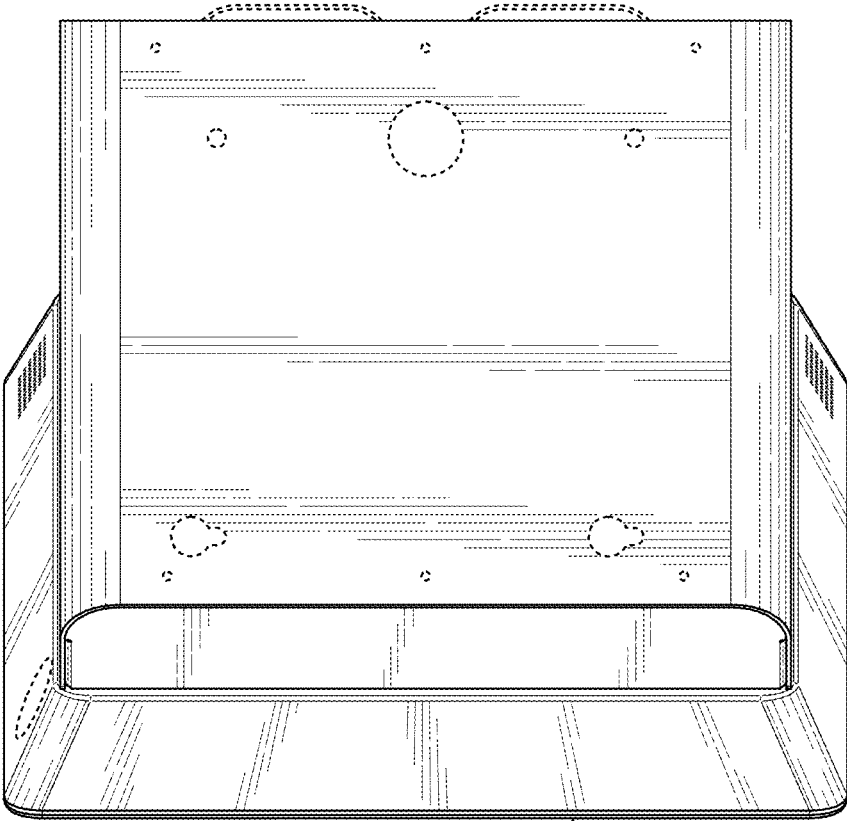


FIG. 7

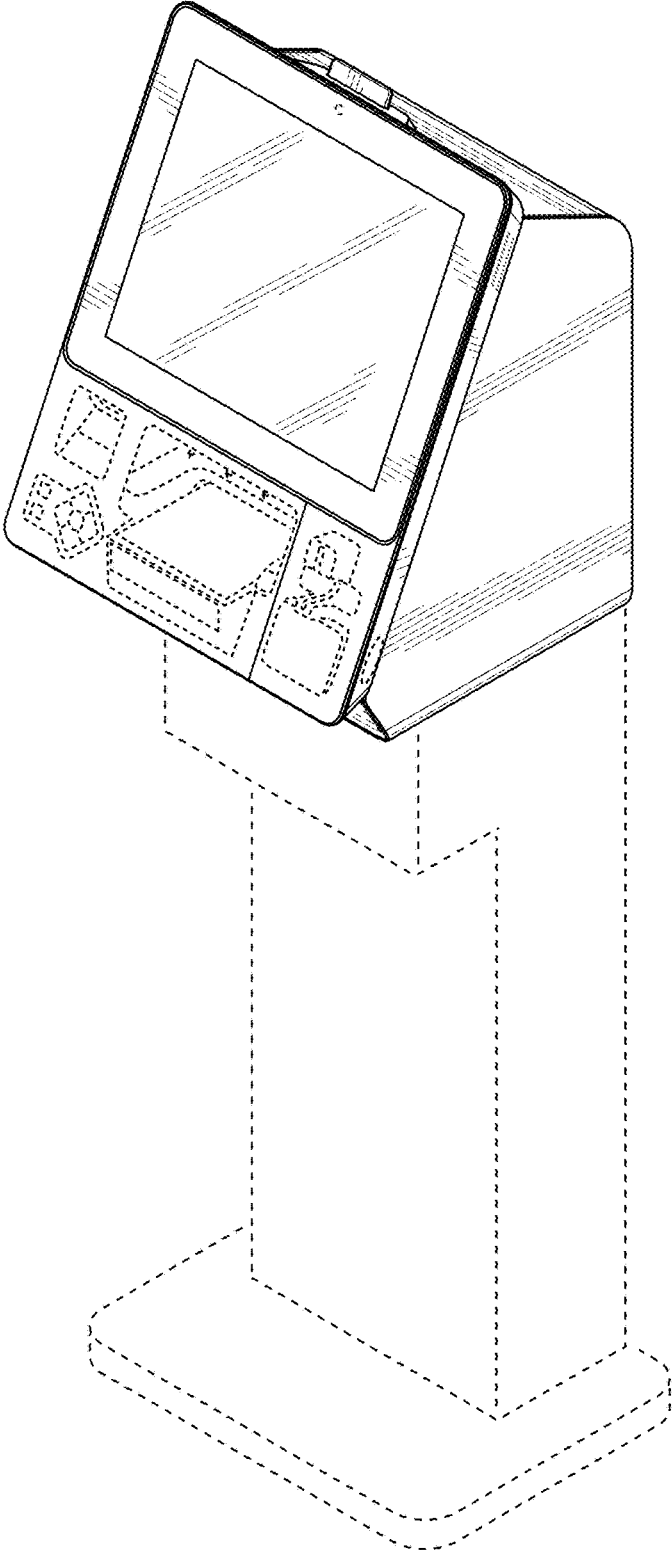


FIG. 8