



US00D641887S

(12) **United States Design Patent**
Sirota

(10) **Patent No.:** **US D641,887 S**

(45) **Date of Patent:** **** Jul. 19, 2011**

(54) **BABY BOTTLE**

(76) Inventor: **Craig Sirota**, Lake Forest, IL (US)

(**) Term: **14 Years**

(21) Appl. No.: **29/365,047**

(22) Filed: **Jul. 1, 2010**

(51) **LOC (9) Cl.** **07-01**

(52) **U.S. Cl.** **D24/197**

(58) **Field of Classification Search** D24/193-199,
D24/117; D7/510-511, 533-534; D9/500,
D9/503-504, 547; 215/11.1-11.6, 387, 398,
215/DIG. 8

See application file for complete search history.

(56) **References Cited**

U.S. PATENT DOCUMENTS

4,613,050	A *	9/1986	Atkin et al.	215/11.5
D356,160	S *	3/1995	Cautereels	D24/197
D420,448	S *	2/2000	Brown et al.	D24/197
D423,107	S *	4/2000	Brown et al.	D24/197
D425,994	S *	5/2000	Hakim	D24/197

D454,642	S *	3/2002	Hakim	D24/197
D460,560	S *	7/2002	Chomik et al.	D24/197
D476,894	S *	7/2003	Masotta et al.	D9/503
D602,369	S *	10/2009	Potts et al.	D9/547
D625,423	S *	10/2010	MacKay et al.	D24/197
D625,424	S *	10/2010	MacKay et al.	D24/197
D626,417	S *	11/2010	Kim	D9/503
D627,895	S *	11/2010	Pheil et al.	D24/197

* cited by examiner

Primary Examiner — Susan E Krakower

(74) *Attorney, Agent, or Firm* — Mayer Brown LLP

(57) **CLAIM**

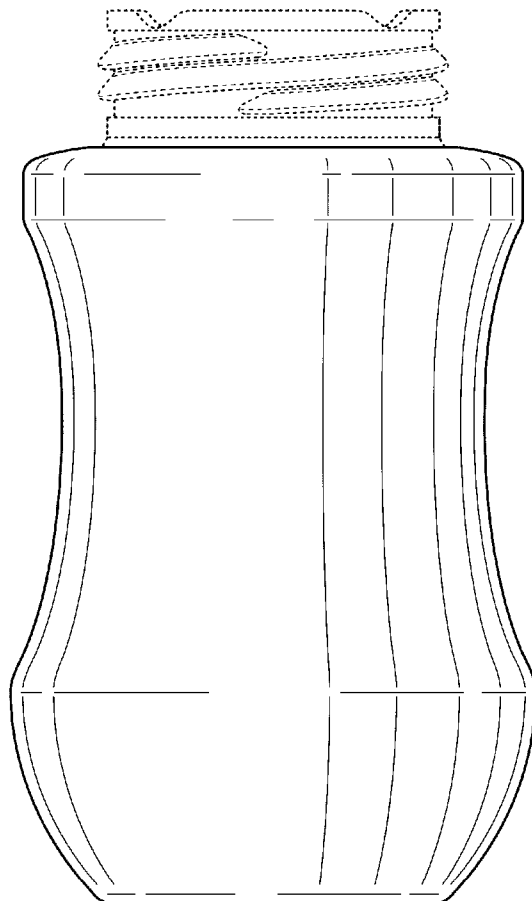
The ornamental design for a baby bottle, as shown and described.

DESCRIPTION

FIG. 1 is a side view of a baby bottle showing my new design; FIG. 2 is a top view of a baby bottle; and, FIG. 3 is a bottom view of a baby bottle.

The broken lines showing the neck of the bottle are for environmental structure and form no part of the claimed design.

1 Claim, 2 Drawing Sheets



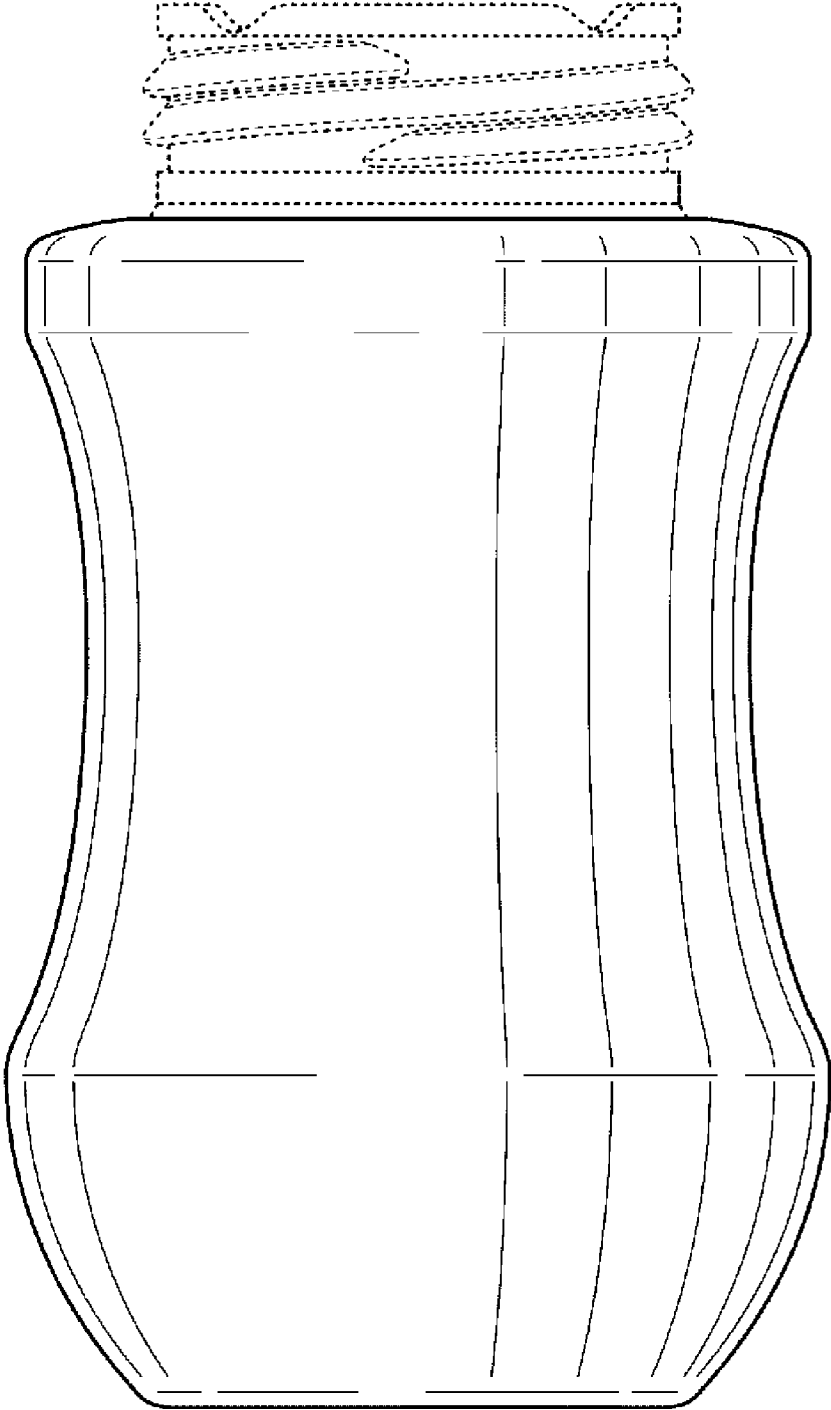


FIG. 1

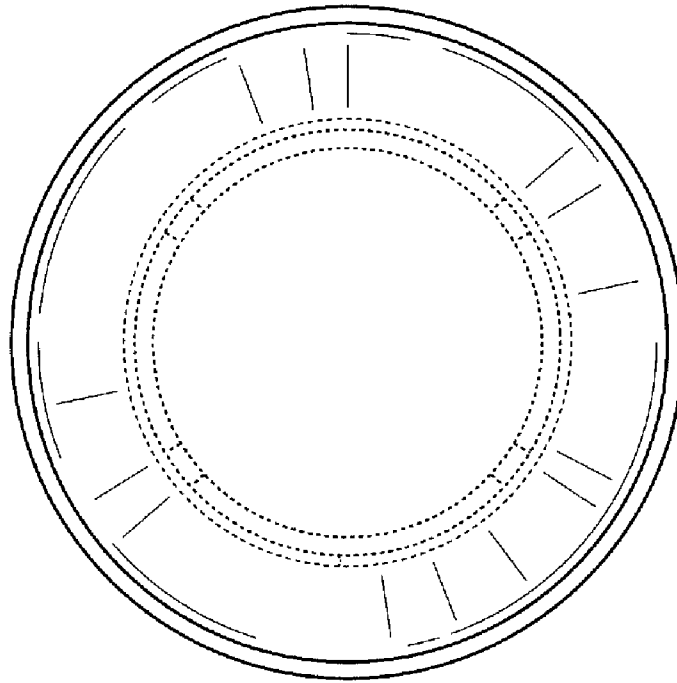


FIG. 2

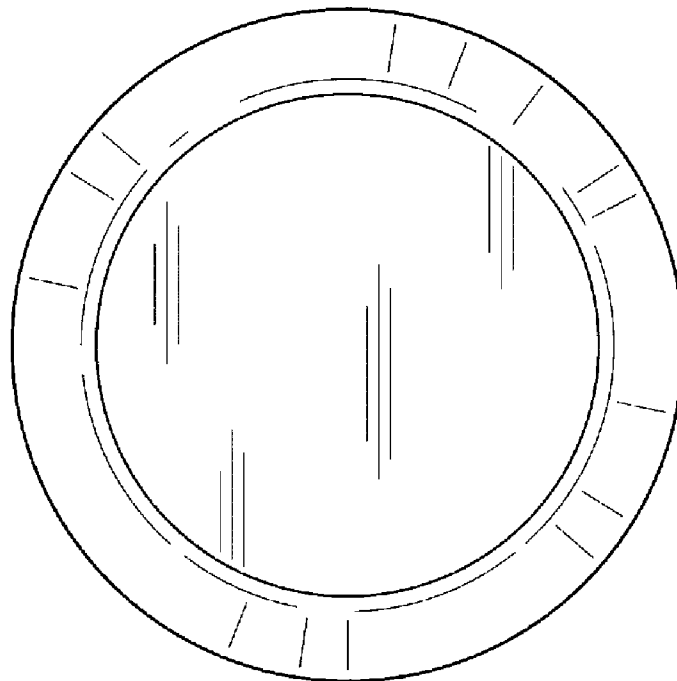


FIG. 3