



(12) **United States Design Patent**
Tanoury et al.

(10) **Patent No.:** **US D900,933 S**
(45) **Date of Patent:** **** Nov. 3, 2020**

- (54) **FOOTBALL TOSS TRAINER** 4,883,272 A * 11/1989 Lay A63B 63/00
473/436
- (71) Applicant: **P&P Imports LLC**, Santa Ana, CA 4,905,996 A * 3/1990 Tallent A63B 63/00
(US) 273/401
- (72) Inventors: **Peter Tanoury**, Newport Beach, CA 5,042,813 A * 8/1991 Huang A63B 67/02
(US); **Peter Engler**, Newport Beach, CA (US) 473/153
- (73) Assignee: **P&P Imports LLC**, Irvine, CA (US) 5,332,230 A * 7/1994 Benedict A63B 67/06
273/400
- 5,725,444 A * 3/1998 Heden A63B 63/00
273/400

(Continued)

(**) Term: **15 Years**

OTHER PUBLICATIONS

(21) Appl. No.: **29/667,739**

“Gosports football training target net”, posted Jul. 17, 2018 [online], [retrieved Aug. 18, 2019]. Retrieved from internet, https://www.amazon.com/GoSports-Football-Training-Throwing-Accuracy/product-reviews/B07MRGK1SC/ref=cm_cr_getr_d_paging_btm_next_6?ie=UTF8&reviewerType=all_reviews&sortBy=recent&pageNumber=6.*

(Continued)

(22) Filed: **Oct. 24, 2018**

(51) **LOC (12) Cl.** **21-01**

(52) **U.S. Cl.** **D21/305**
USPC

(58) **Field of Classification Search**
USPC D21/300–307, 319, 335, 342, 386, 699,
D21/705, 731, 771, 780, 789, 790, 791,
D21/804, 805; 473/164, 172, 197, 436
CPC A63B 63/00; A63B 71/022; A63B 65/00;
A63B 1/00; A63B 67/00; A63F 1/067;
A47B 25/00
See application file for complete search history.

Primary Examiner — Sandra Snapp
Assistant Examiner — Mehri Bajoul
(74) *Attorney, Agent, or Firm* — Michael J. DiCato

(57) **CLAIM**

The ornamental design for a football toss trainer, as shown and described.

(56) **References Cited**

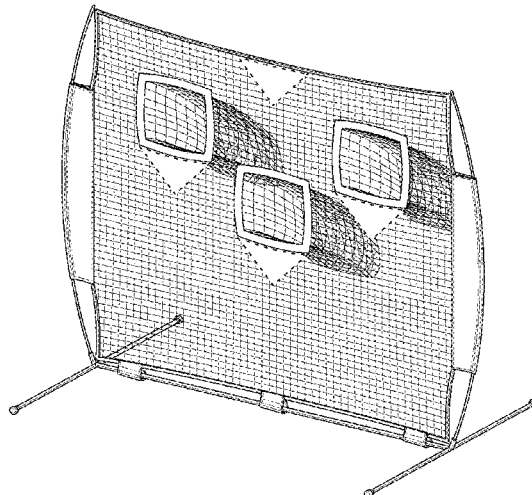
U.S. PATENT DOCUMENTS

- 920,907 A * 5/1909 Balton A63B 71/022
473/197
- 2,944,816 A * 7/1960 Dixon A63B 69/0097
473/435
- 3,986,719 A * 10/1976 Lee A63B 63/00
473/197
- 4,068,846 A * 1/1978 Forrest A63B 63/00
473/195
- 4,492,380 A * 1/1985 Saytar A63B 63/00
273/400
- 4,553,751 A * 11/1985 Ketchum A63B 69/0097
273/395
- 4,723,780 A * 2/1988 Vinzetta A63B 63/00
273/407

DESCRIPTION

FIG. 1 is a front, top, right perspective view of a football toss trainer;
FIG. 2 is a back, bottom, left perspective view of the football toss trainer;
FIG. 3 is a front view of the football toss trainer;
FIG. 4 is a back view of the football toss trainer;
FIG. 5 is a top view of the football toss trainer;
FIG. 6 is a bottom view of the football toss trainer.
FIG. 7 is a left side view of the football toss trainer; and,
FIG. 8 is a right side view of the football toss trainer.

1 Claim, 6 Drawing Sheets



(56)

References Cited

U.S. PATENT DOCUMENTS

5,860,655 A * 1/1999 Starrett F41J 3/0004
 273/407
 D449,084 S * 10/2001 Walters D21/705
 D462,733 S * 9/2002 Smith, IV D21/780
 D585,949 S * 2/2009 Gaudin D21/705
 D649,209 S * 11/2011 Silvi D21/705
 8,540,592 B1 * 9/2013 Coppenrath A63B 63/00
 473/431
 8,647,221 B1 * 2/2014 Hochberg A63B 69/002
 473/422
 D709,970 S * 7/2014 Holland D21/705
 9,808,697 B2 * 11/2017 Dorsett A63B 69/0097
 D805,591 S * 12/2017 Miller D21/705
 D809,076 S * 1/2018 Yu D21/705
 10,166,453 B1 * 1/2019 Dickerson A63B 69/0097
 2003/0047001 A1 * 3/2003 Liao A63B 24/0021
 73/493
 2004/0178585 A1 * 9/2004 Cosenza A63B 69/0002
 273/454
 2012/0149500 A1 * 6/2012 Jackson A63B 63/00
 473/435

2012/0149503 A1 * 6/2012 Cho A63B 63/00
 473/454
 2013/0072327 A1 * 3/2013 Hunt A63B 63/00
 473/434
 2014/0171225 A1 * 6/2014 Paulson A63B 71/022
 473/421

OTHER PUBLICATIONS

SLZ Quickster QB Football Trainer net with Target, posted Aug. 26, 2013[online], [retrieved Aug. 18, 2019]. Retrieved from internet, https://www.amazon.com/SKLZ-Quickster-Football-Trainer-Ultra-Portable/dp/B00CU9U8OC/ref=pd_Ipo_sbs_200_t_2?_encoding=UTF8&psc=1&refRID=TET2ZE5ZNIINGAQ2PBQ4#customerReviews.
 “Rukket Barricade Backstop Net”, posted Nov. 30, 2015 [online], [retrieved Aug. 18, 2019]. Retrieved from internet, https://www.amazon.com/product-reviews/B012DNWK4A/ref=cm_cr_getr_d_paging_btm_next_21?ie=UTF8&showViewpoints=1&sortBy=recent&pageNumber=21.

* cited by examiner

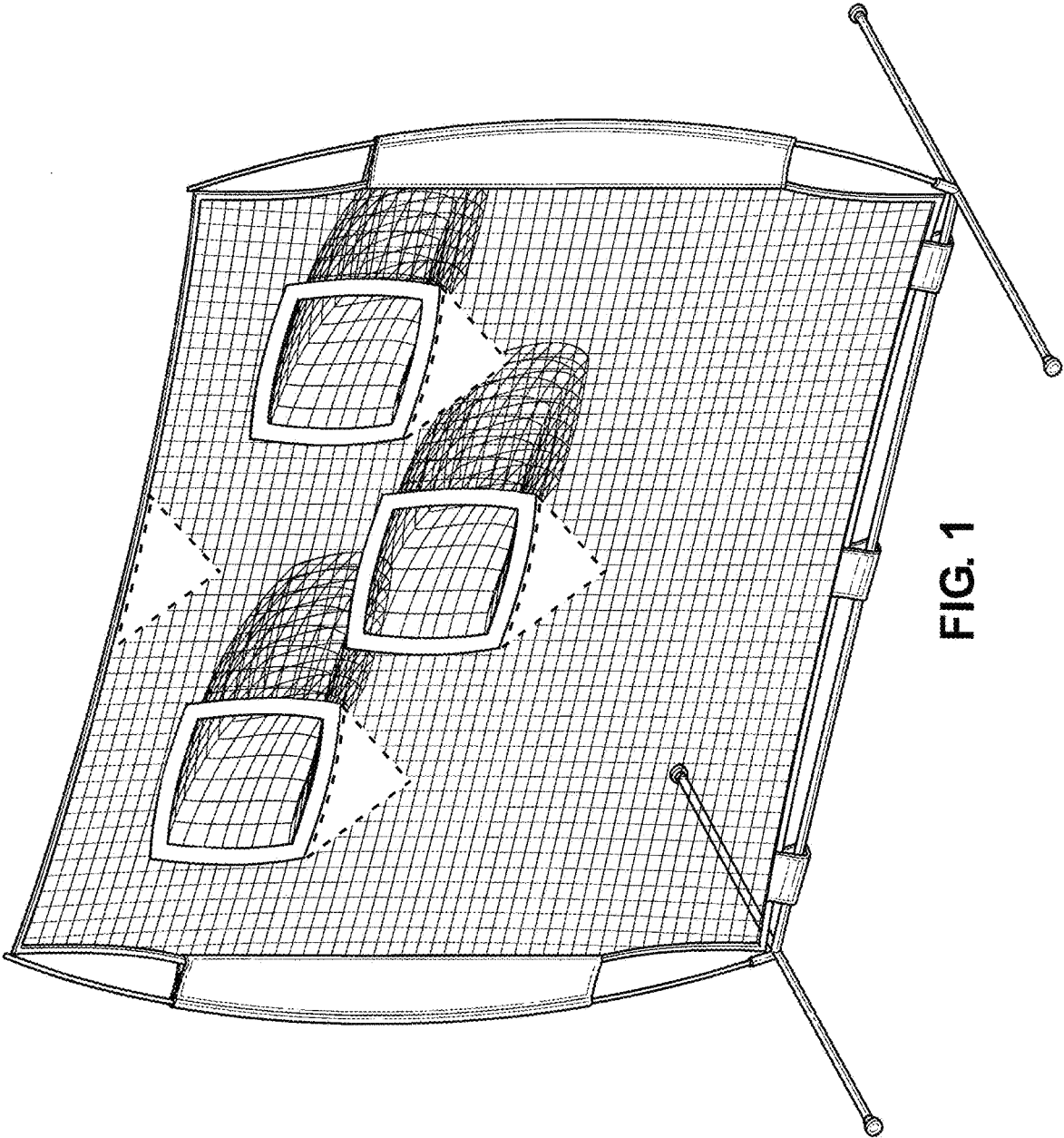


FIG. 1

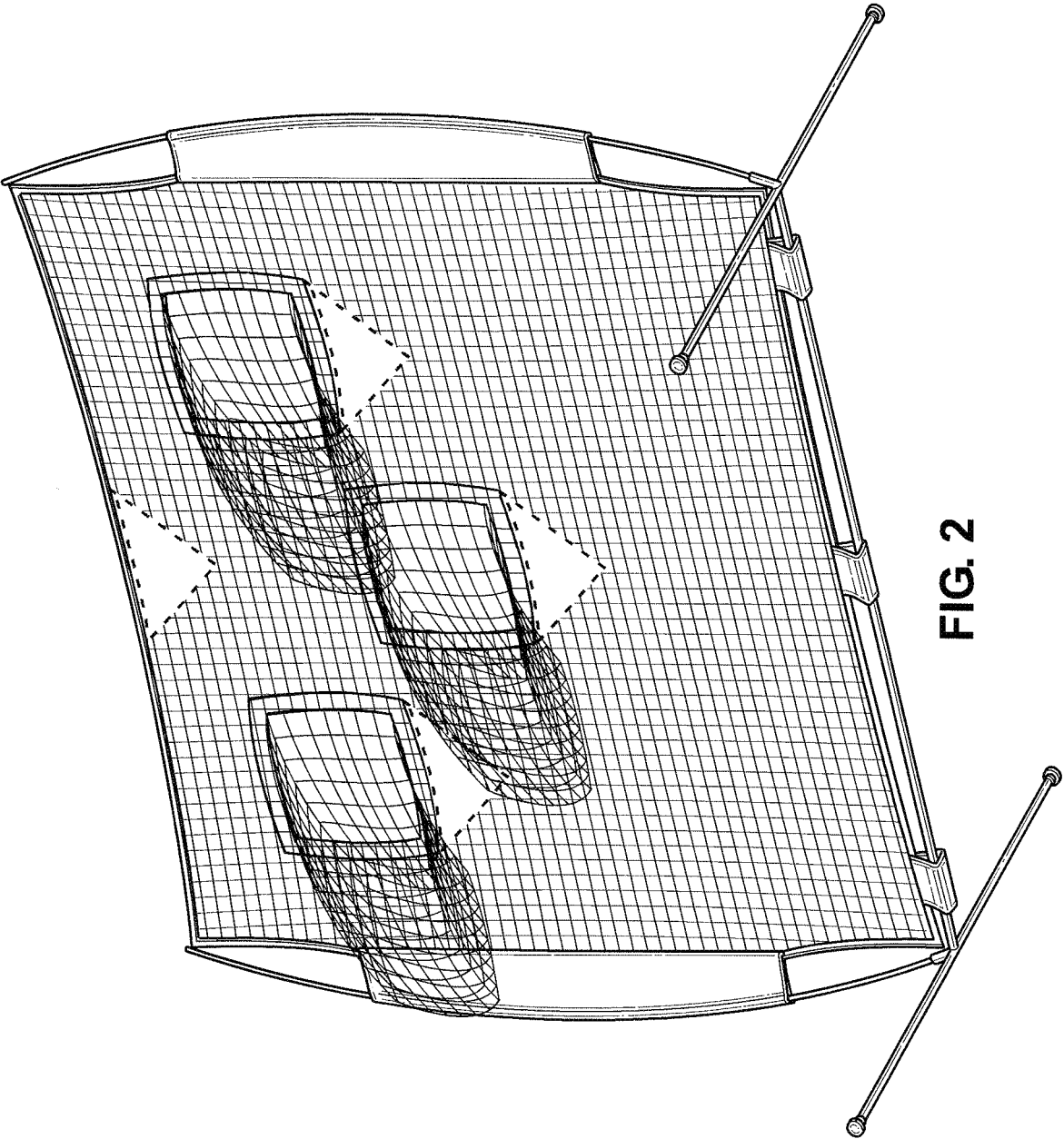


FIG. 2

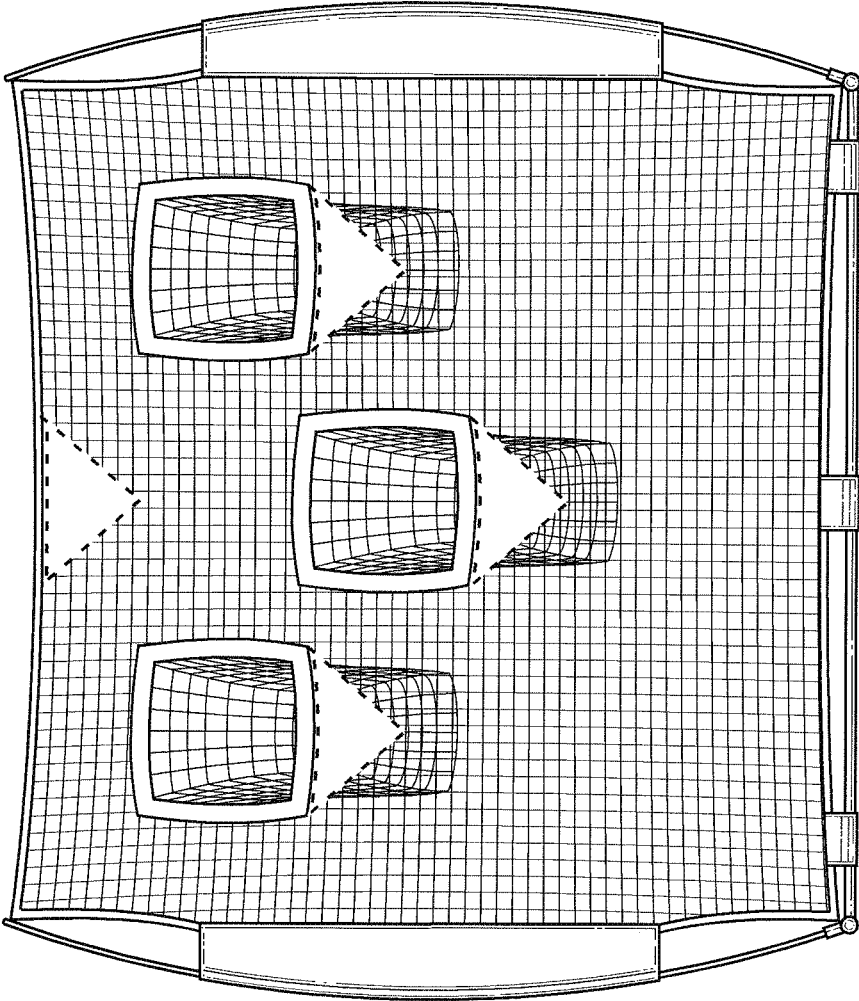


FIG. 3

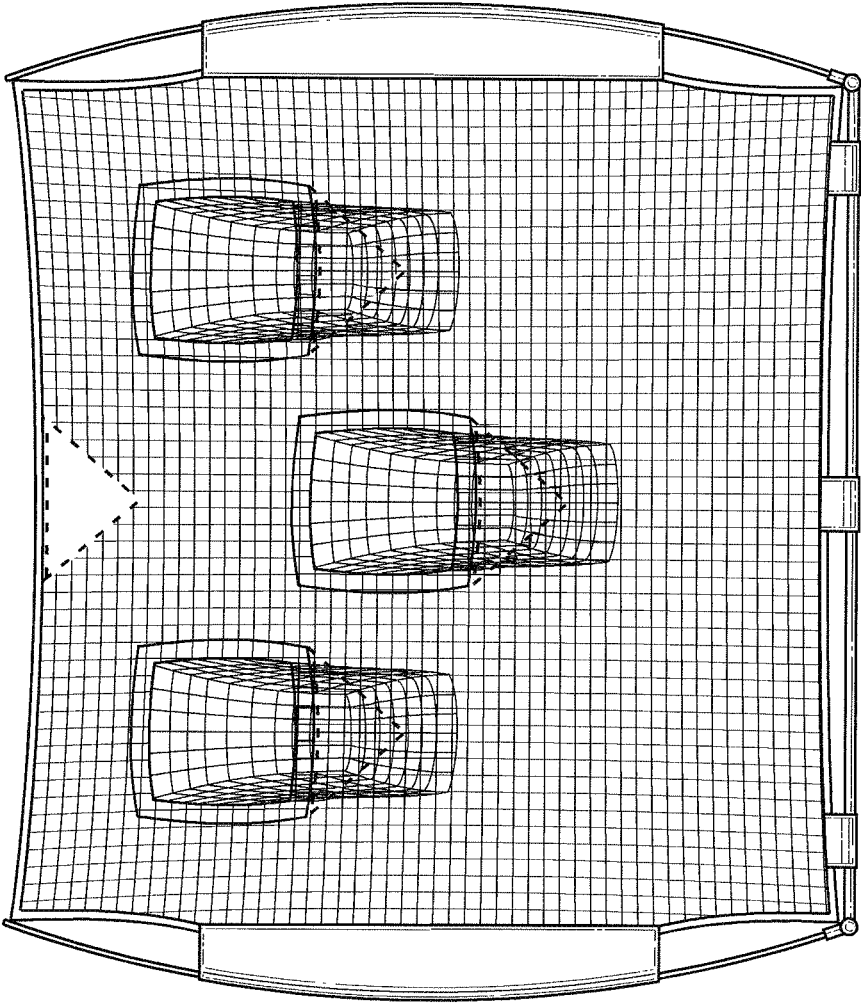


FIG. 4

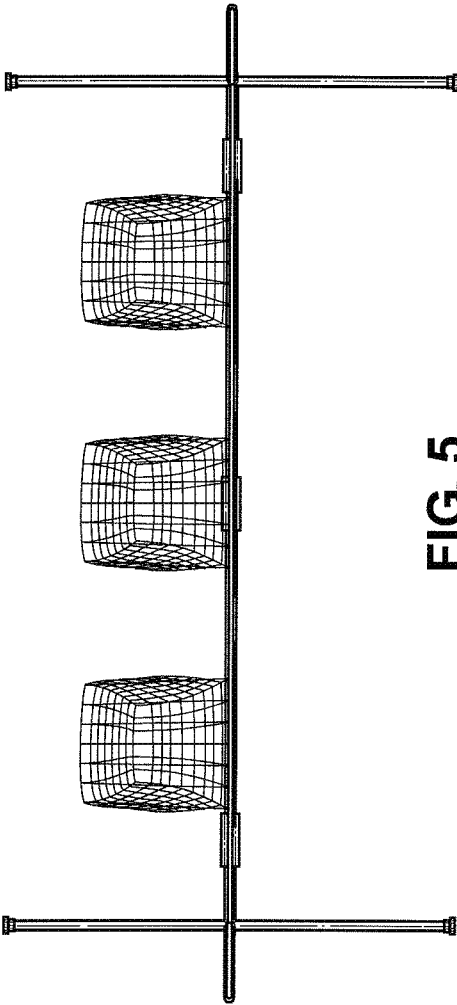


FIG. 5

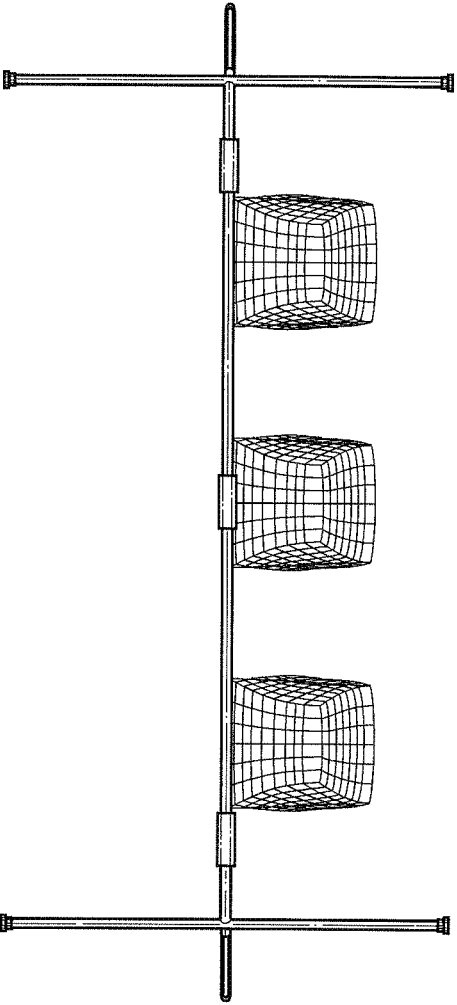


FIG. 6

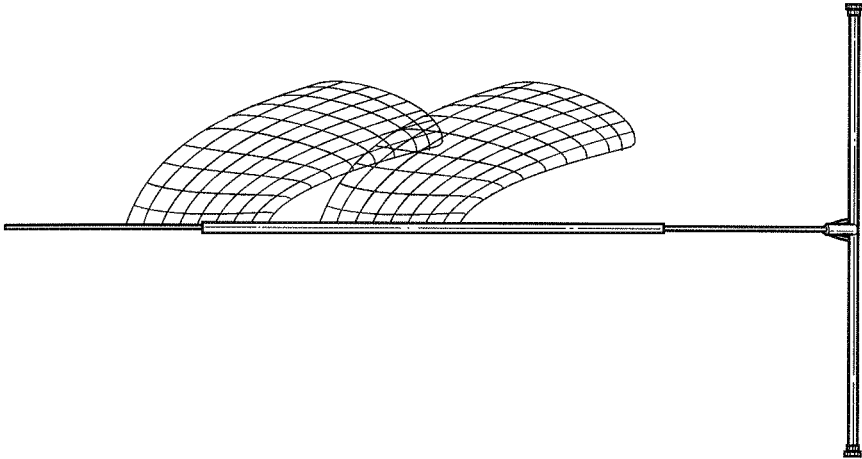


FIG. 8

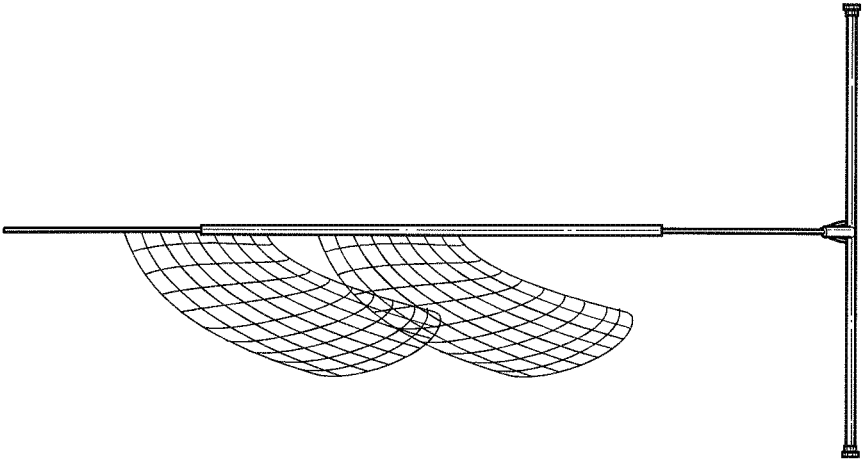


FIG. 7