



US00D357009S

United States Patent [19]

[11] Patent Number: **Des. 357,009**

Rossman et al.

[45] Date of Patent: **** Apr. 4, 1995**

- [54] **WRIST REST**
- [75] Inventors: **Jon R. Rossman**, Chelmsford; **Bryan R. Hotaling**, Arlington, both of Mass.
- [73] Assignee: **Curtis Manufacturing Company, Inc.**, Jaffrey, N.H.
- [**] Term: **14 Years**
- [21] Appl. No.: **14,678**
- [22] Filed: **Oct. 27, 1993**
- [52] U.S. Cl. **D14/114**
- [58] Field of Search **D14/100, 114; D18/12; 248/118, 118.3, 346, 489, 917-924; 400/689-693, 715; D6/601**

- 4,913,390 4/1990 Berke .
- 4,973,176 11/1990 Dietrich .
- 4,976,407 12/1990 Schwartz et al. .
- 5,074,511 12/1991 Wilson .
- 5,125,606 6/1992 Cassano et al. .
- 5,163,646 11/1992 Engelhardt .
- 5,183,230 2/1993 Walker et al. .
- 5,242,139 9/1993 Aldrich .

Primary Examiner—James M. Gandy
Assistant Examiner—M. H. Tung
Attorney, Agent, or Firm—Richard P. Crowley

[57] CLAIM

The ornamental design for a wrist rest, as shown and described.

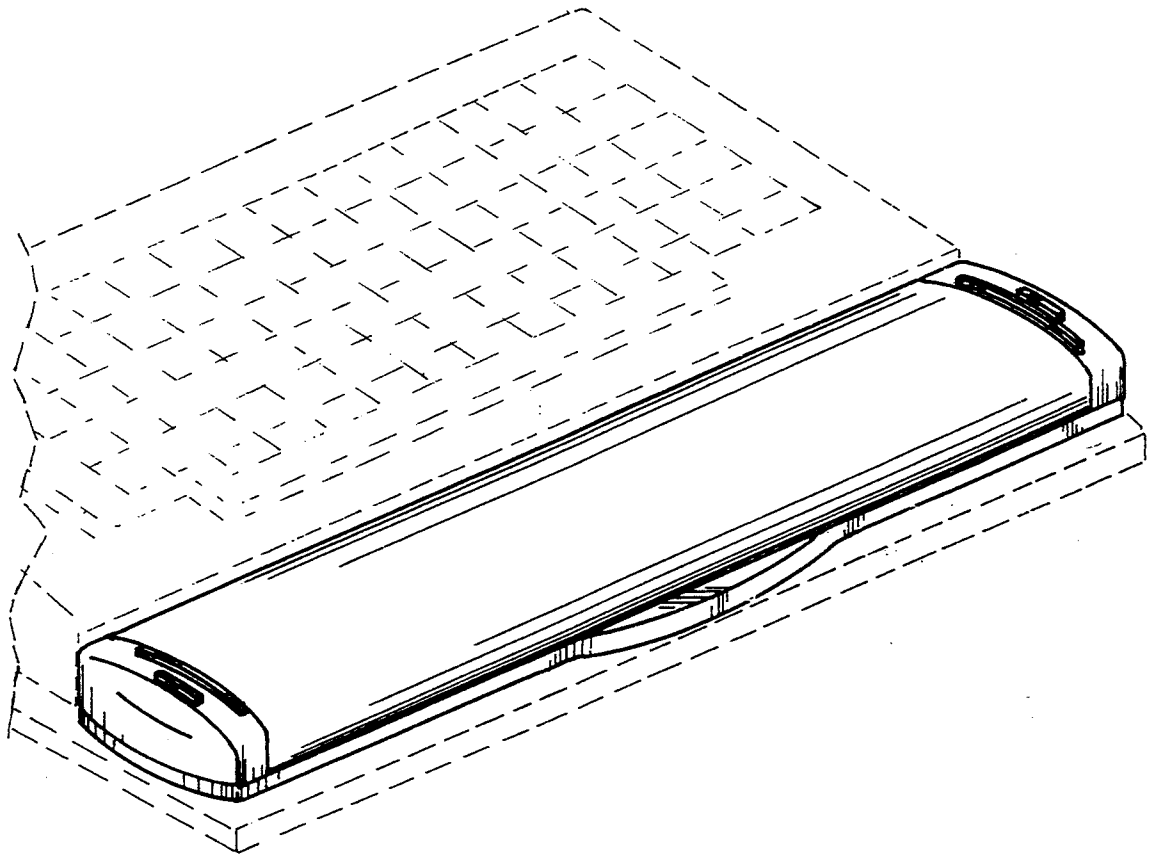
DESCRIPTION

FIG. 1 is a perspective view from above of the wrist rest of our invention; the broken line partial drawing of a computer keyboard and desk top is for illustrative purposes only and forms no part of the claimed design; FIG. 2 is a top plan view of our design of FIG. 1; FIG. 3 is a bottom plan view thereof; FIG. 4 is a side elevational view thereof; FIG. 5 is a side elevational view of the opposite side thereof; FIG. 6 is a front elevational view thereof; and, FIG. 7 is a rear elevational view thereof.

[56] References Cited

U.S. PATENT DOCUMENTS

- Re. 33,556 3/1991 Berke .
- 134,116 12/1872 West .
- D. 330,018 10/1992 Miller D14/114
- D. 335,876 5/1993 Anello, Jr. et al. D14/114
- D. 336,898 6/1993 Cherubini et al. D14/114
- 3,300,250 1/1967 Pollgener et al. .
- 4,481,556 11/1984 Berke et al. .
- 4,482,064 11/1984 Berke et al. .
- 4,545,554 10/1985 Latino et al. .
- 4,621,781 11/1986 Springer .



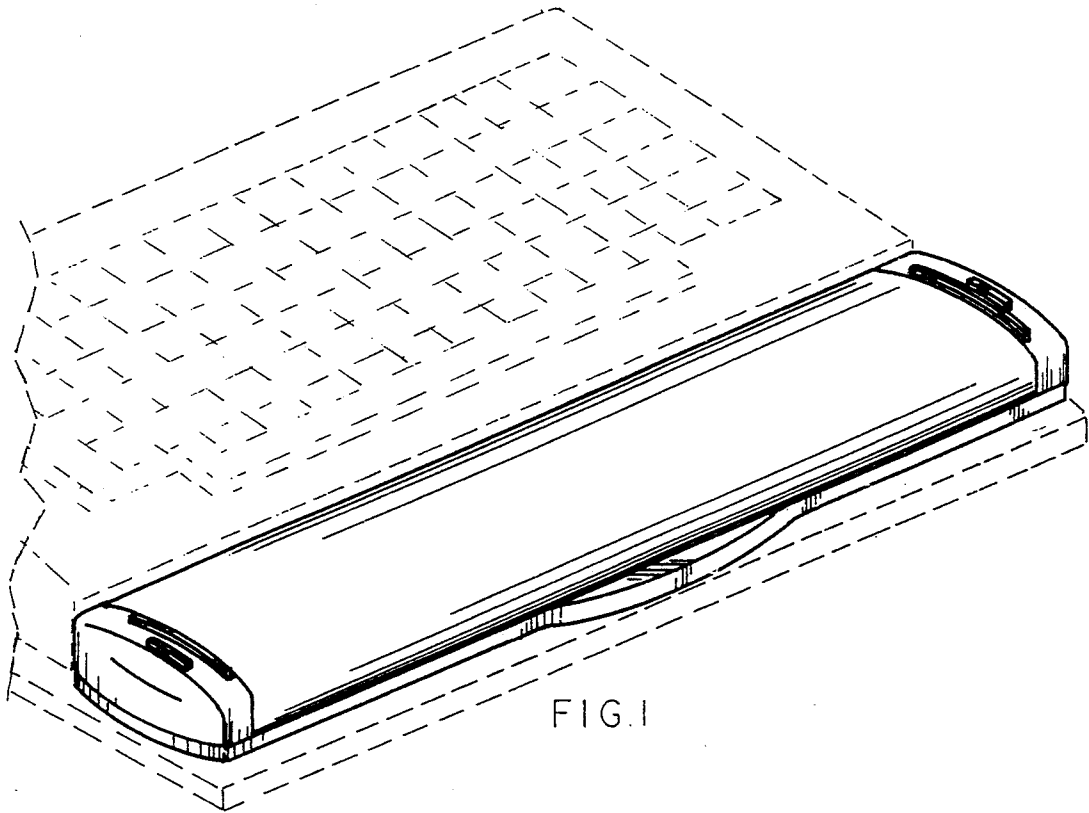


FIG. 1

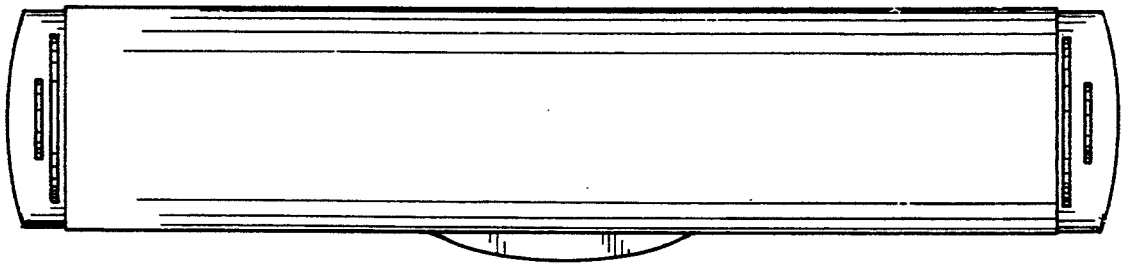


FIG. 2

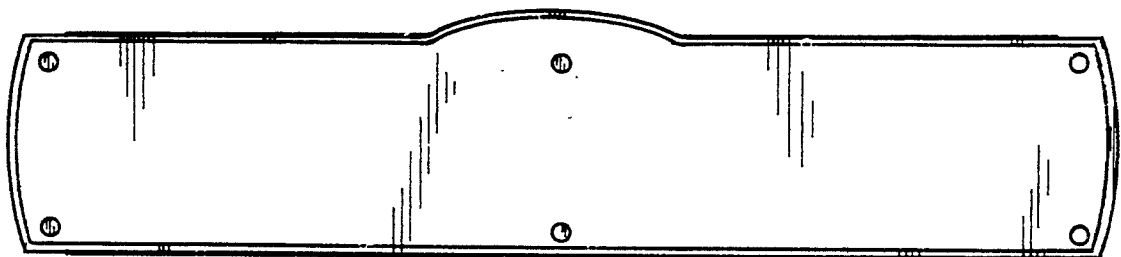


FIG. 3



FIG. 4

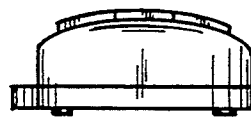


FIG. 5



FIG. 6

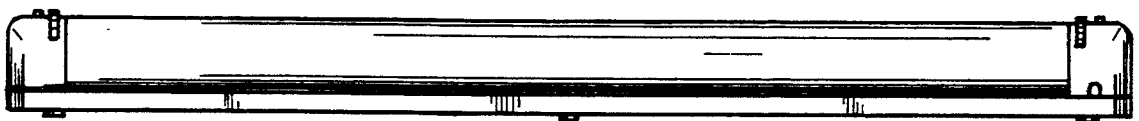


FIG. 7