



US00D712911S

(12) **United States Design Patent**
Pearson et al.

(10) **Patent No.:** **US D712,911 S**
(45) **Date of Patent:** **** Sep. 9, 2014**

(54) **DISPLAY SCREEN WITH A GRAPHICAL USER INTERFACE**

(75) Inventors: **Mark E. Pearson**, Renton, WA (US);
Erez Kikin Gil, Redmond, WA (US);
Matthew J. Kotler, Sammamish, WA (US)

(73) Assignee: **Microsoft Corporation**, Redmond, WA (US)

(**) Term: **14 Years**

(21) Appl. No.: **29/412,713**

(22) Filed: **Feb. 7, 2012**

(51) **LOC (10) Cl.** **14-04**

(52) **U.S. Cl.**
USPC **D14/486**

(58) **Field of Classification Search**
CPC G06F 3/048-3/04897
USPC D14/485-95; D18/24-33; D19/6, 52;
D20/11; D21/324-33; 715/700-867,
715/973-77

See application file for complete search history.

(56) **References Cited**

U.S. PATENT DOCUMENTS

4,747,093	A	*	5/1988	Benne et al.	369/280
4,974,173	A		11/1990	Stefik et al.	
5,526,341	A	*	6/1996	Shiba et al.	369/275.1
5,675,570	A	*	10/1997	Ohira et al.	369/275.1
D396,455	S	*	7/1998	Bier	D14/489
D461,822	S		8/2002	Okuley	
D464,360	S	*	10/2002	Grundel et al.	D14/485
6,549,219	B2	*	4/2003	Selker	715/834
D474,197	S	*	5/2003	Nguyen	D14/486
D492,695	S	*	7/2004	Suzuki et al.	D14/489
D493,177	S	*	7/2004	Retuta et al.	D14/486
D493,471	S	*	7/2004	McIntosh	D14/485

D504,441	S	*	4/2005	Sapp et al.	D14/486
D505,135	S	*	5/2005	Sapp et al.	D14/489
7,046,248	B1		5/2006	Perttunen	
D544,495	S	*	6/2007	Evans et al.	D14/488
D545,323	S		6/2007	Decombe	
D545,324	S		6/2007	Decombe	
D550,696	S		9/2007	Kortum et al.	
7,281,214	B2		10/2007	Fadell	
D554,660	S		11/2007	Hoover et al.	
D554,661	S		11/2007	Hoover et al.	
D563,972	S		3/2008	Sherry	
D568,898	S		5/2008	Byeon	
D580,949	S		11/2008	Duarte	
D589,521	S		3/2009	Napier et al.	
D591,305	S	*	4/2009	Shimoda	D14/485
7,516,416	B2		4/2009	Viswanathan et al.	
D592,674	S		5/2009	Kwag	
D593,126	S		5/2009	Danton	
D599,815	S		9/2009	Ogura et al.	
D602,033	S		10/2009	Vu et al.	
D604,310	S		11/2009	Ahn	
D606,081	S		12/2009	Parker et al.	
D607,007	S	*	12/2009	Kocmick	D14/489
D613,754	S		4/2010	Barcheck et al.	
D614,192	S	*	4/2010	Takano et al.	D14/486
D619,593	S	*	7/2010	Fujioka et al.	D14/485
D619,614	S	*	7/2010	O'Mullan et al.	D14/489

(Continued)

Primary Examiner — Melanie H Tung

(74) *Attorney, Agent, or Firm* — Banner & Witcoff, Ltd.

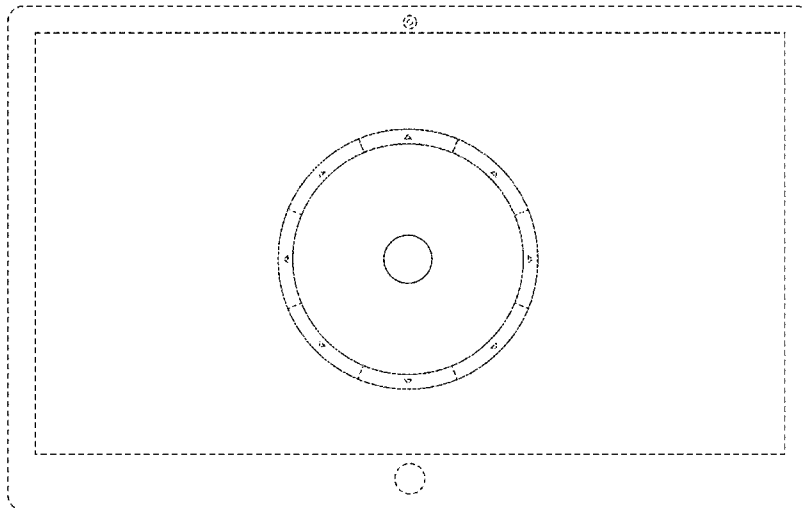
(57) **CLAIM**

The ornamental design for a display screen with a graphical user interface, as shown and described.

DESCRIPTION

The FIGURE is a front view of a display screen with a graphical user interface showing the new design. The broken line showing of the display screen and graphic elements is for environmental purposes only and forms no part of the claimed design.

1 Claim, 1 Drawing Sheet



(56)

References Cited

U.S. PATENT DOCUMENTS

D620,024 S	7/2010	Dunn et al.		D683,755 S	6/2013	Phelan	
D622,281 S *	8/2010	Maitlen et al.	D14/485	D683,756 S	6/2013	Phelan	
D625,319 S	10/2010	Allen et al.		D683,757 S	6/2013	Phelan	
D625,328 S *	10/2010	Fitzmaurice et al.	D14/489	D684,181 S	6/2013	Carpenter et al.	
D627,360 S *	11/2010	Aarseth	D14/485	D685,390 S	7/2013	Loken	
D628,590 S	12/2010	Vandenberghe et al.		D685,391 S *	7/2013	Blissenbach et al.	D14/492
D635,987 S	4/2011	Mays et al.		D688,697 S	8/2013	Phelan	
D635,988 S	4/2011	Mays et al.		D689,098 S	9/2013	Jang et al.	
D637,197 S	5/2011	Ray et al.		2002/0085037 A1	7/2002	Leavitt et al.	
D644,243 S *	8/2011	Matas	D14/489	2004/0141010 A1 *	7/2004	Fitzmaurice et al.	345/810
D645,470 S *	9/2011	Matas	D14/489	2005/0010955 A1 *	1/2005	Elia et al.	725/88
D649,159 S	11/2011	Viggers et al.		2007/0220442 A1	9/2007	Bohan et al.	
D651,611 S *	1/2012	Ouilhet et al.	D14/489	2008/0126992 A1 *	5/2008	Scheu et al.	715/835
D651,613 S *	1/2012	Ouilhet	D14/491	2010/0088594 A1 *	4/2010	Kim et al.	715/274
D664,562 S *	7/2012	McCain et al.	D14/489	2011/0083100 A1	4/2011	Fyke et al.	
D667,428 S *	9/2012	Wujcik et al.	D14/489	2013/0019174 A1	1/2013	Gil et al.	
D667,429 S *	9/2012	Wujcik et al.	D14/489	2013/0019175 A1	1/2013	Kotler et al.	
D667,430 S	9/2012	Ouilhet et al.		2013/0019182 A1	1/2013	Gil et al.	
D678,323 S	3/2013	Yoshida et al.		2013/0019203 A1	1/2013	Kotler et al.	
D678,902 S *	3/2013	Evans	D14/492	2013/0019205 A1	1/2013	Gil et al.	
D681,669 S *	5/2013	Phelan	D14/489	2013/0019206 A1	1/2013	Kotler et al.	
				2013/0019208 A1	1/2013	Kotler et al.	
				2013/0212529 A1	8/2013	Amarnath	

* cited by examiner

