



US00D906830S

(12) **United States Design Patent**
Caponegri et al.

(10) **Patent No.:** **US D906,830 S**

(45) **Date of Patent:** **** Jan. 5, 2021**

- (54) **FLASK**
- (71) Applicant: **Natura Cosméticos S.A.**, São Paulo (BR)
- (72) Inventors: **Rafael Aparecido Caponegri**, São Paulo (BR); **Fernanda Watanuki**, São Paulo (BR); **Anderson Silva Santos**, Rio de Janeiro (BR)
- (73) Assignee: **NATURA COSMÉTICOS S.A.**, São Paulo (BR)
- (**) Term: **15 Years**
- (21) Appl. No.: **29/673,004**
- (22) Filed: **Dec. 11, 2018**

D290,341 S *	6/1987	Durand	D9/544
5,169,029 A *	12/1992	Behar	B05B 11/3084
				128/200.23
D352,891 S *	11/1994	Lalique	D9/544
5,927,548 A *	7/1999	Villaveces	A45F 5/02
				222/175
D437,232 S *	2/2001	Jones	D9/435
6,349,855 B1 *	2/2002	Borri	A45D 34/02
				222/182
D463,264 S *	9/2002	De Baschmakoff	D9/687
D466,403 S *	12/2002	Haas	D9/687
D531,049 S *	10/2006	De France	D9/686
D546,192 S *	7/2007	Faillant Dumas	D9/571
D593,420 S *	6/2009	Augenbraun	D9/529
D653,847 S *	2/2012	Seals	D3/202
D680,004 S *	4/2013	Lecetre	D9/544
D715,155 S *	10/2014	Meyers	D9/687
D717,176 S *	11/2014	Gomez	D9/544
D718,044 S *	11/2014	Vargo	D3/202

(Continued)

(30) **Foreign Application Priority Data**

Jun. 18, 2018 (BR) 30 2018 002583-0

(51) **LOC (13) Cl.** **09-01**

(52) **U.S. Cl.**
USPC **D9/687**

(58) **Field of Classification Search**
USPC D9/682-694, 516, 517, 529, 560, 572, D9/448

CPC B05B 11/3052; B05B 11/0027; B05B 11/0037; B05B 15/30; B65D 83/205; B65D 83/22

See application file for complete search history.

(56) **References Cited**

U.S. PATENT DOCUMENTS

4,371,087 A *	2/1983	Saujet	A45D 34/02
				215/12.1
D270,864 S *	10/1983	Martinez	D28/5
D271,245 S *	11/1983	Martinez	D28/5
4,662,541 A *	5/1987	Fossati	A45D 34/02
				222/135

Primary Examiner — Steven J Czyz

(74) *Attorney, Agent, or Firm* — Alston & Bird LLP

(57) **CLAIM**

The ornamental design for a flask, as shown and described.

DESCRIPTION

FIG. 1 is a front perspective view of a flask showing our new design;

FIG. 2 is a front view thereof;

FIG. 3 is a rear view thereof;

FIG. 4 is a right side view thereof;

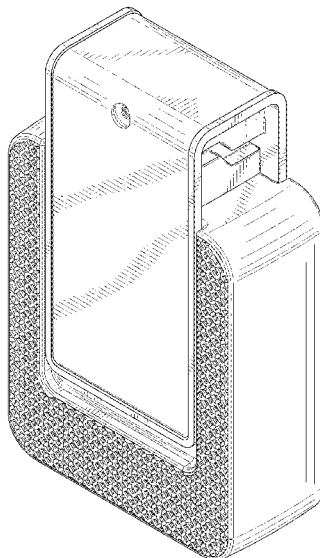
FIG. 5 is a top view thereof;

FIG. 6 is a bottom view thereof; and,

FIG. 7 is a left side view thereof.

The dash-dot-dash broken lines of FIGS. 4 and 7 represent boundaries of the claimed design. All other broken lines illustrate portions of the flask that form no part of the claimed design.

1 Claim, 5 Drawing Sheets



(56)

References Cited

U.S. PATENT DOCUMENTS

D720,620 S * 1/2015 Gerard D9/522
D730,317 S * 5/2015 Silvera D14/207
D741,723 S * 10/2015 Staab D9/687
D742,240 S * 11/2015 Santos D9/544
D746,261 S * 12/2015 Silvera D14/207
D751,910 S * 3/2016 Saboia D9/521
D755,631 S * 5/2016 Mather D28/91.1
D760,528 S * 7/2016 Szekely D9/563
D775,530 S * 1/2017 Gayner D9/563
D776,547 S * 1/2017 Schroeder D6/542
D786,017 S * 5/2017 Obatake D7/509
D812,894 S * 3/2018 Hume D3/202
D826,548 S * 8/2018 Hume D3/202
D833,079 S * 11/2018 Fang D28/91.1
D834,945 S * 12/2018 LaPorte D9/687
D836,904 S * 1/2019 Arman D3/202
D846,406 S * 4/2019 Caponegri D9/694
D846,996 S * 4/2019 LaPorte D9/687
D846,997 S * 4/2019 Silva D9/687
D854,272 S * 7/2019 Compton D34/2
D856,156 S * 8/2019 De Lataillade D9/687
10,421,091 B2 * 9/2019 Caponegri B05B 11/0037
2004/0076462 A1 * 4/2004 Grandmottet A45D 34/02
401/55
2008/0023575 A1 * 1/2008 Trumble B05B 11/0038
222/135
2009/0032550 A1 * 2/2009 Touron B65D 83/75
222/39
2009/0057331 A1 * 3/2009 Fryan A47K 10/32
221/96
2011/0289890 A1 * 12/2011 Floyd B65D 83/205
53/492
2018/0133734 A1 * 5/2018 Caponegri B05B 11/0027

* cited by examiner

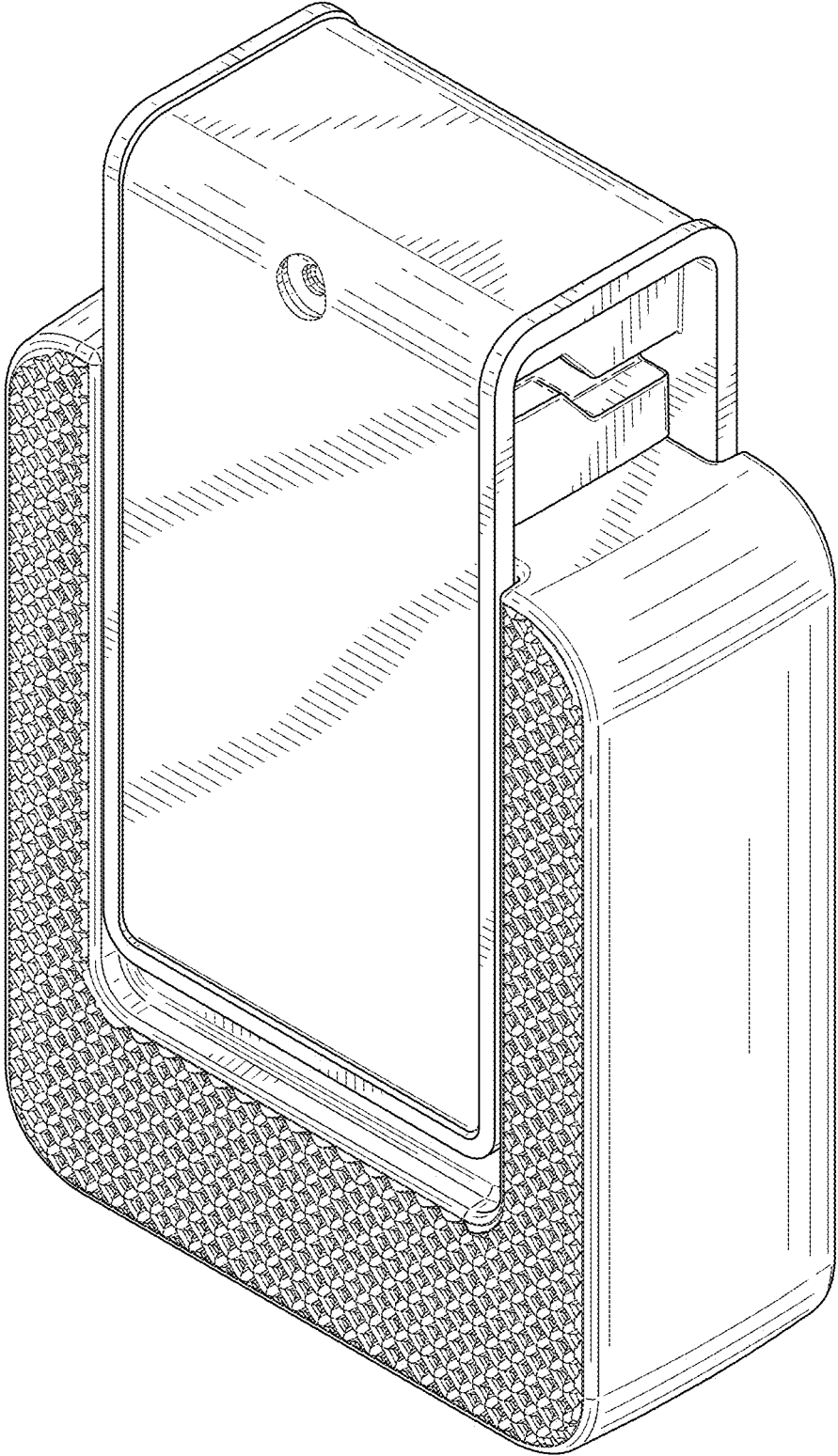


FIG. 1

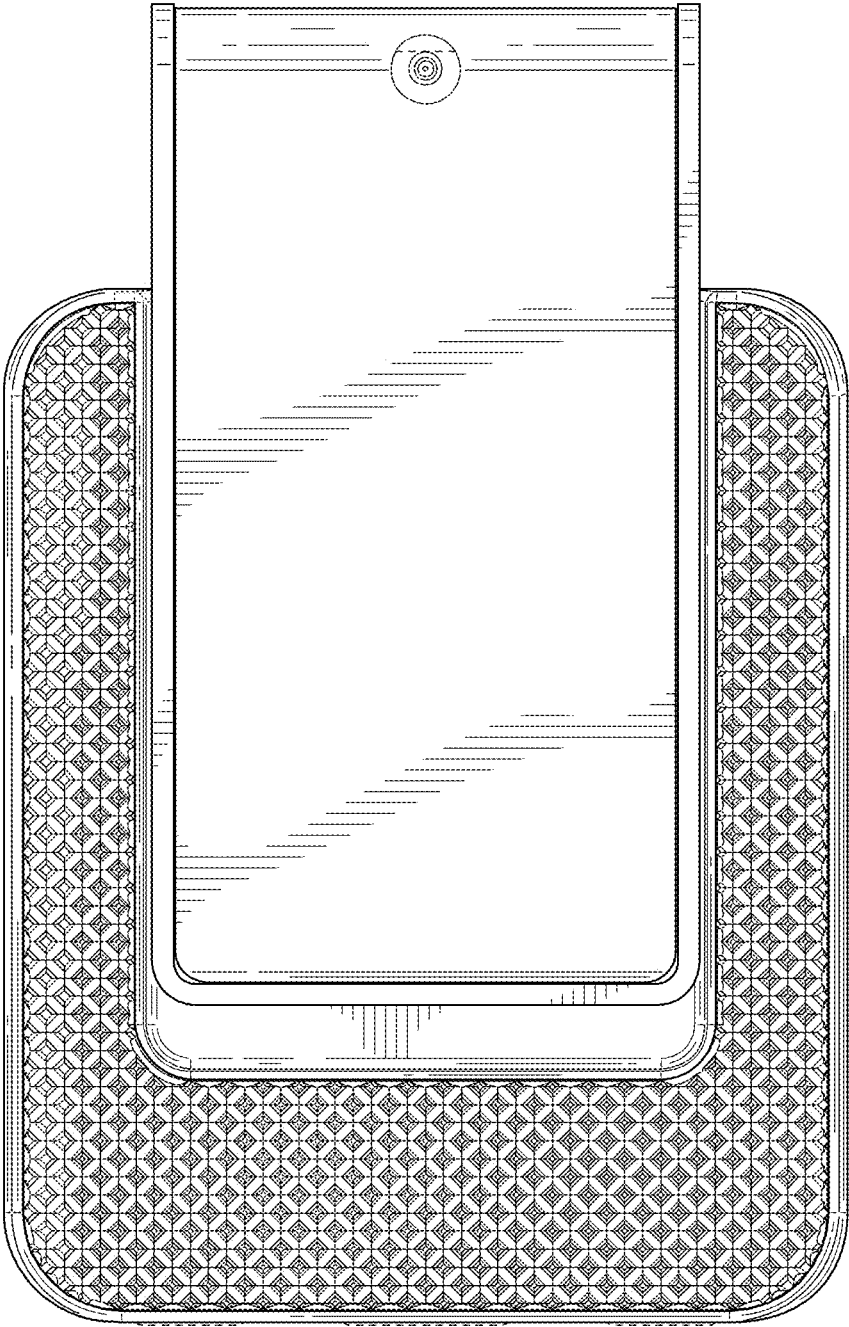


FIG. 2

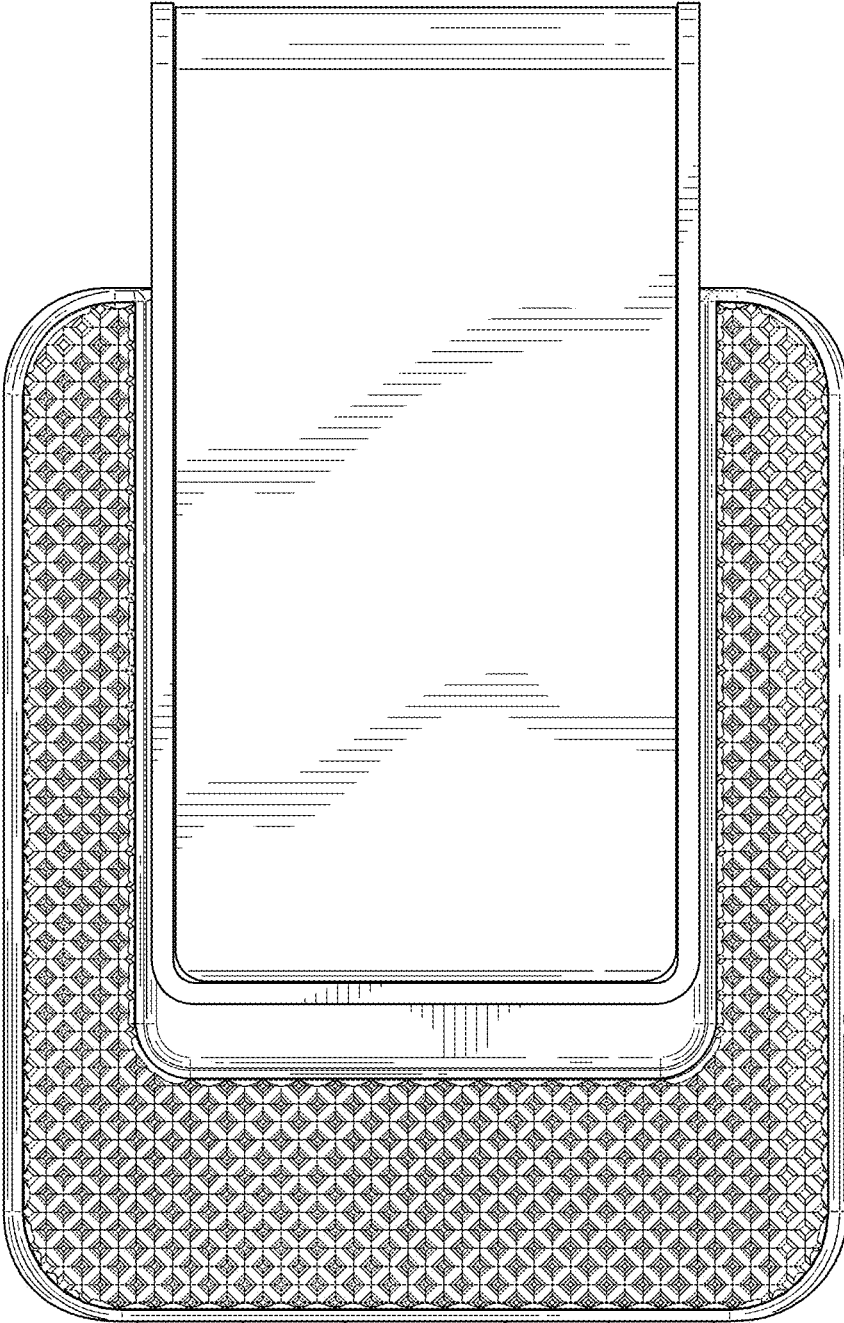


FIG. 3

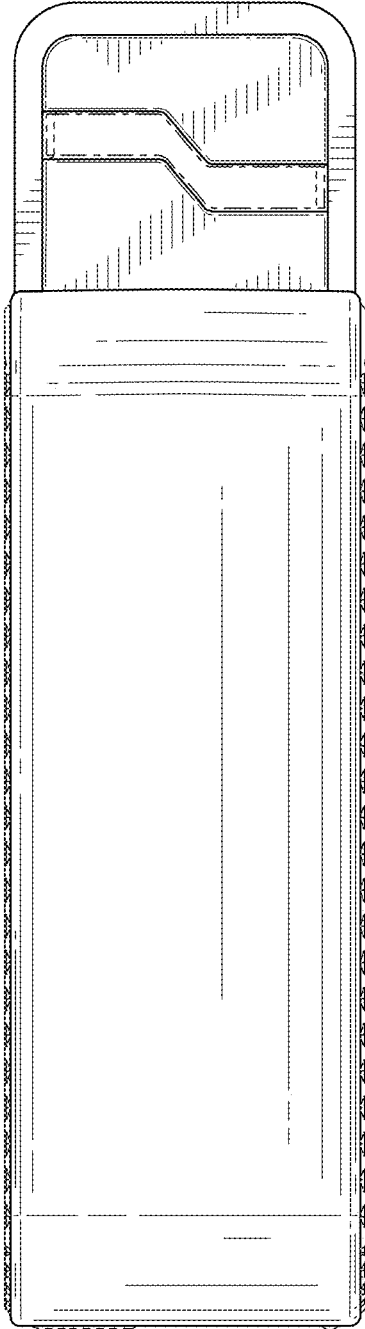


FIG. 4

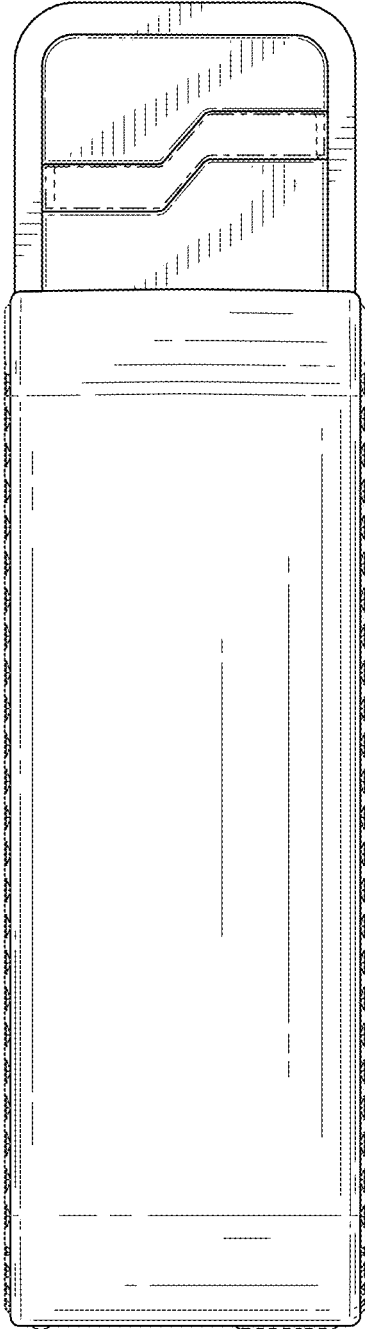


FIG. 7

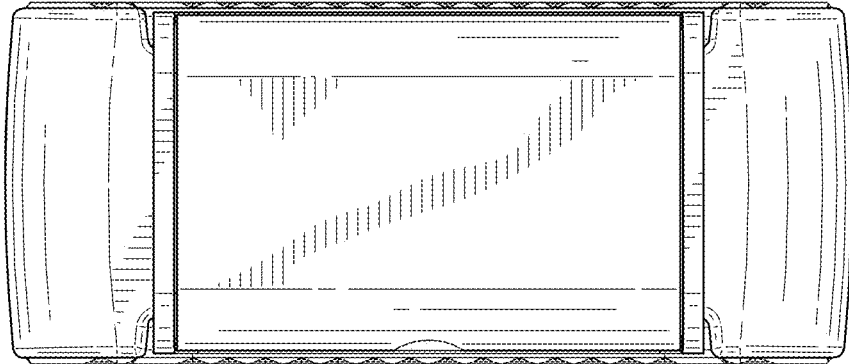


FIG. 5

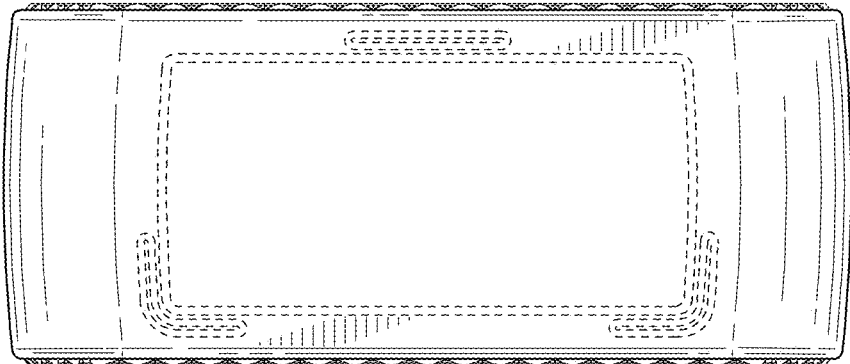


FIG. 6