



US00D922073S

(12) **United States Design Patent**
Dittrich et al.

(10) **Patent No.:** **US D922,073 S**

(45) **Date of Patent:** **** Jun. 15, 2021**

- (54) **ORGANIZER**
- (71) Applicant: **Spectrum Diversified Designs, LLC**,
Streetsboro, OH (US)
- (72) Inventors: **Megan Leigh Dittrich**, Twinsburg, OH
(US); **Jonathan Ostojic**, Seattle, WA
(US); **Matthew Frank**, Seattle, WA
(US)
- (73) Assignee: **SPECTRUM DIVERSIFIED
DESIGNS, LLC**, Streetsboro, OH (US)
- (**) Term: **15 Years**
- (21) Appl. No.: **29/746,725**
- (22) Filed: **Aug. 17, 2020**

D362,572 S *	9/1995	Joseph, Jr.	D19/92
D372,395 S	8/1996	Candianides	
D377,028 S *	12/1996	Monday	D15/90
D389,152 S	1/1998	Kurihara	
D402,436 S	12/1998	Cawley et al.	
5,957,604 A *	9/1999	Anderson	B43K 23/016 401/96
D434,074 S *	11/2000	Hardy	D19/75
D453,880 S	2/2002	Cheyne	
6,446,289 B1	9/2002	Su et al.	
D463,745 S	10/2002	Hausen	
D479,271 S	9/2003	Gaska et al.	
D547,064 S *	7/2007	Snell	D3/304
D551,453 S *	9/2007	Snell	D3/304
D555,904 S *	11/2007	Snell	D3/304
D578,633 S	10/2008	Schluter et al.	
D597,052 S	7/2009	Kim et al.	
D662,355 S	6/2012	Tyson et al.	
D682,012 S	5/2013	Lin	
D685,358 S	7/2013	Armstrong et al.	
8,783,462 B2 *	7/2014	Sugimoto	H01M 50/20 206/703
D712,148 S *	9/2014	Ghiorgie	D3/304
D721,686 S	1/2015	Jacob et al.	

Related U.S. Application Data

- (63) Continuation of application No. 29/684,289, filed on
Mar. 20, 2019, now Pat. No. Des. 896,890.
- (51) **LOC (13) Cl.** **03-01**
- (52) **U.S. Cl.** **D3/314**; D19/75
USPC
- (58) **Field of Classification Search**
USPC D19/75-92, 99; D3/304; D6/683;
D9/427, 432
CPC .. B43M 99/00; B43M 99/001; B43M 99/008;
B43M 99/009
See application file for complete search history.

References Cited

U.S. PATENT DOCUMENTS

3,387,077 A	6/1968	Sammons et al.	
D227,004 S	5/1973	Roy et al.	
3,908,597 A *	9/1975	Taylor	A01K 1/0114 119/166
D245,170 S *	7/1977	Evenson	D19/92

(Continued)
Primary Examiner — Elizabeth A. Albert
(74) *Attorney, Agent, or Firm* — Tucker Ellis LLP

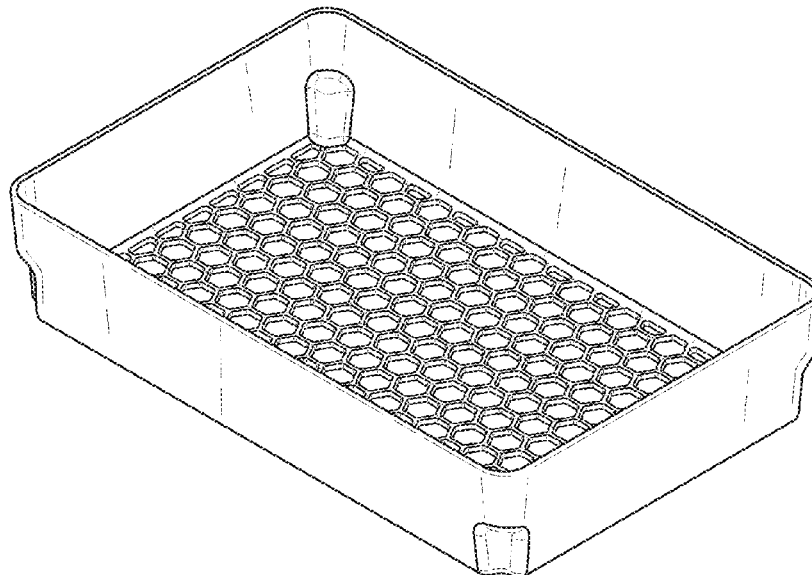
(57) **CLAIM**

The ornamental design for an organizer, as shown and described.

DESCRIPTION

FIG. 1 is a perspective view of an organizer showing our new design.
FIG. 2 is a front view thereof.
FIG. 3 is a rear view thereof.
FIG. 4 is a right side view thereof.
FIG. 5 is a left side view thereof.
FIG. 6 is a top view thereof; and,
FIG. 7 is a bottom view thereof.

1 Claim, 4 Drawing Sheets



(56)

References Cited

U.S. PATENT DOCUMENTS

D729,550	S	5/2015	Williams et al.	
D733,322	S	6/2015	Walczak et al.	
D733,696	S	7/2015	Burgett et al.	
D742,869	S	11/2015	Odhwani et al.	
D747,066	S	1/2016	Roetheli	
D754,106	S	4/2016	Wise et al.	
D766,647	S	9/2016	Calkins	
D783,284	S *	4/2017	Hecht	D3/304
D791,717	S	7/2017	Uusitalo et al.	
D802,159	S *	11/2017	Fawdington	D24/227
D803,789	S	11/2017	Levesque et al.	
D806,082	S	12/2017	Armstrong et al.	
D808,827	S	1/2018	Witt et al.	
D814,053	S	3/2018	Darrow et al.	
D816,492	S	5/2018	Reinhart	
D819,334	S *	6/2018	Chang	D3/314
D832,269	S	10/2018	Cheng	
D844,621	S	4/2019	Chen	
D845,031	S	4/2019	Huang	
D851,648	S	6/2019	Tan	
10,420,419	B2 *	9/2019	Kasravi	B42F 7/145
D861,665	S	10/2019	Li	
D868,071	S	11/2019	Liu	
D868,789	S	12/2019	Weng	
D912,794	S *	3/2021	Brown	D23/364
2009/0200324	A1 *	8/2009	Geelen	B65D 21/0234 220/780
2019/0275714	A1	9/2019	Kanoh	

* cited by examiner

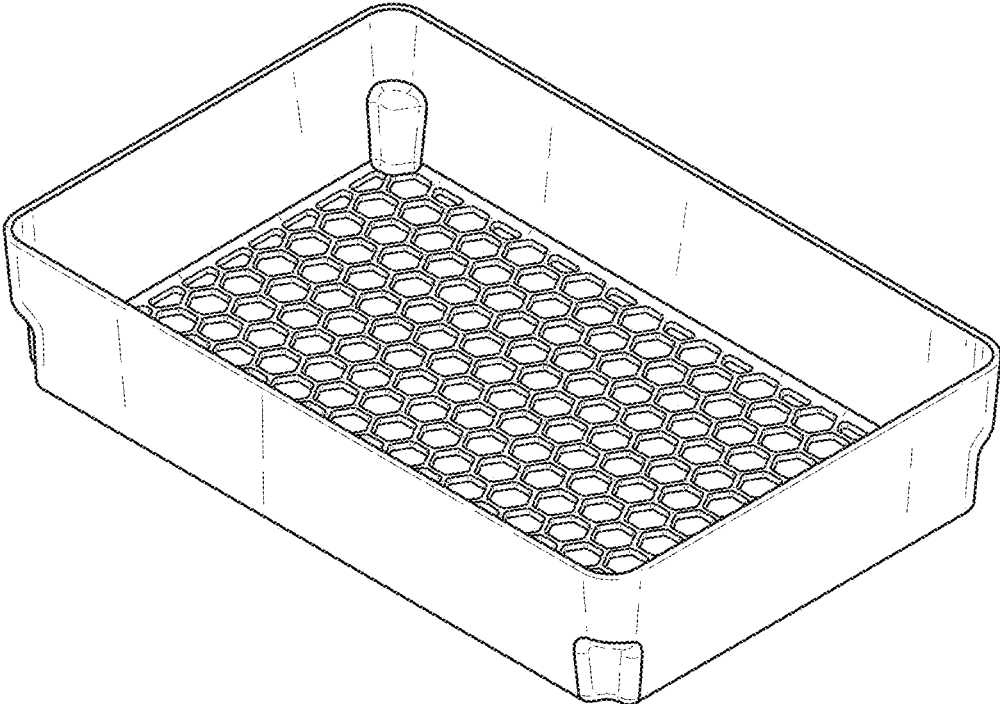


FIG. 1

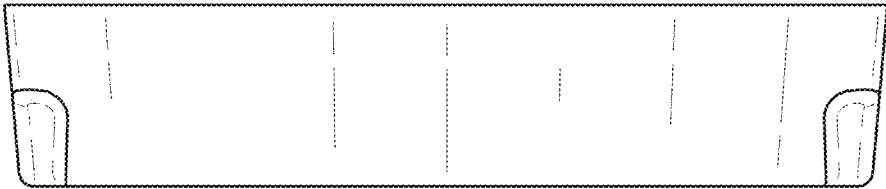


FIG. 2

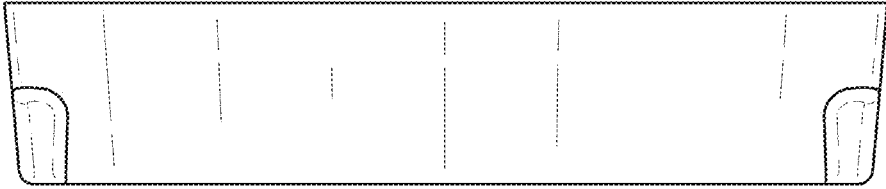


FIG. 3

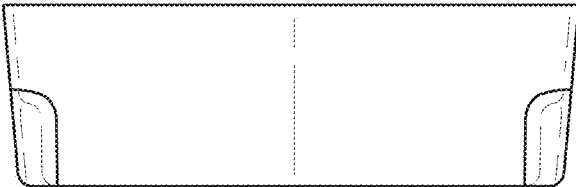


FIG. 4



FIG. 5

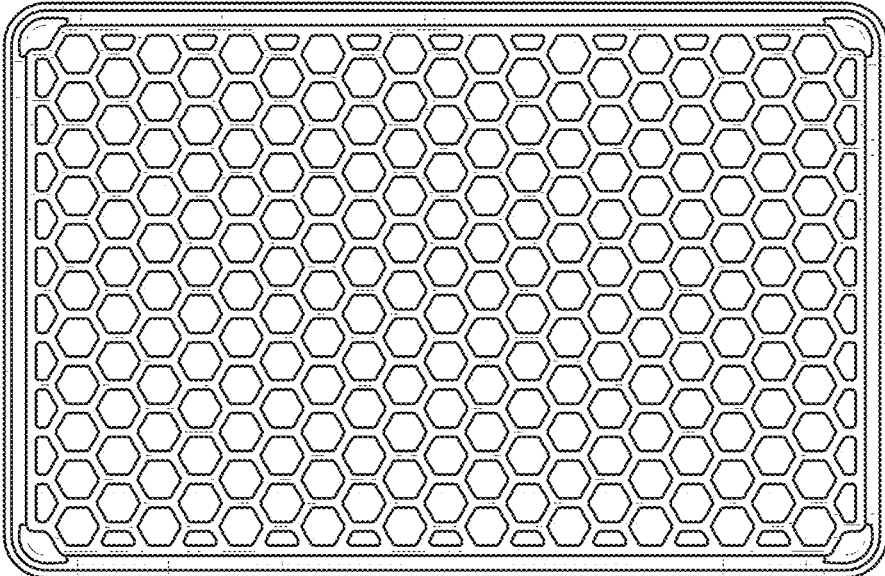


FIG. 6

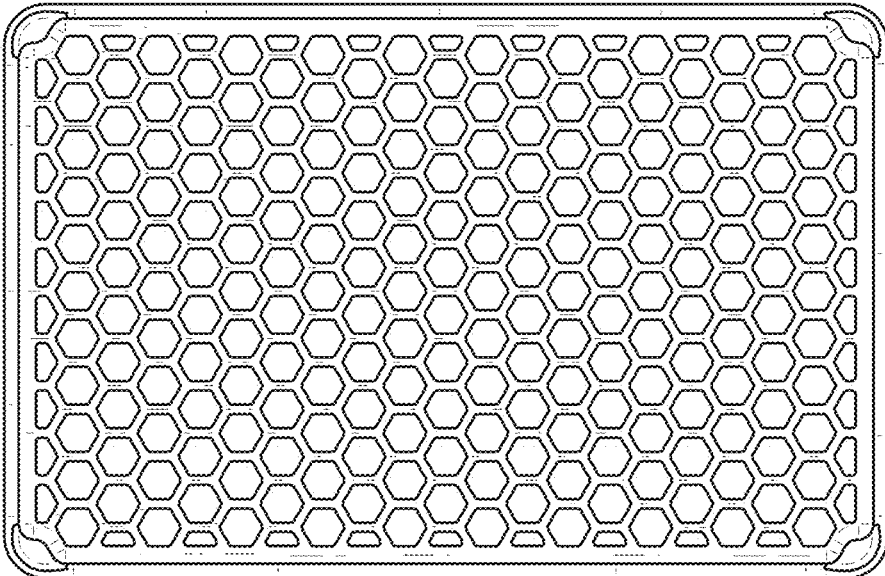


FIG. 7