



US0D1016786S

(12) **United States Design Patent**
Zhong

(10) **Patent No.:** **US D1,016,786 S**

(45) **Date of Patent:** **** Mar. 5, 2024**

(54) **PAIR OF WIRELESS EARPHONES**

D902,182 S * 11/2020 Wang D14/223
D904,349 S * 12/2020 Saxton D14/223
D906,292 S * 12/2020 Wang D14/223

(71) Applicant: **LINSATION INTELLIGENT TECHNOLOGY (SHENZHEN) LIMITED**, Shenzhen (CN)

(Continued)

(72) Inventor: **Tao Zhong**, Shenzhen (CN)

FOREIGN PATENT DOCUMENTS

EM 008762546-0002 * 12/2021
GB 6208379 * 5/2022

(Continued)

(73) Assignee: **LINSATION INTELLIGENT TECHNOLOGY (SHENZHEN) LIMITED**, Shenzhen (CN)

OTHER PUBLICATIONS

(**) Term: **15 Years**

Soundcore, first available Aug. 24, 2022 [online], [retrieved May 1, 2023]. Available from the Internet, URL:<https://a.co/d/46KGGd8>. (Year: 2022).*

(21) Appl. No.: **29/790,568**

(Continued)

(22) Filed: **Dec. 3, 2021**

(51) **LOC (14) Cl.** **14-01**

Primary Examiner — Sandra Snapp

(52) **U.S. Cl.**

Assistant Examiner — Russell Carnell Smith, Jr.

USPC **D14/223**

(74) *Attorney, Agent, or Firm* — Georgi Korobanov

(58) **Field of Classification Search**

(57) **CLAIM**

USPC ... D14/205, 207, 209.1, 217, 221, 223, 225;
D24/106, 173, 174; D29/112

The ornamental design for pair of wireless earphones, as shown and described.

CPC . H04R 1/08; H04R 1/10; H04R 1/105; H04R
1/1016; H04R 1/1033; H04R 1/1066;

DESCRIPTION

H04R 5/033; H04R 5/0335; H04R 25/00

See application file for complete search history.

FIG. 1 is a perspective view of pair of wireless earphones, showing my new design;

(56) **References Cited**

U.S. PATENT DOCUMENTS

D800,097 S * 10/2017 Chen D14/223
D817,309 S * 5/2018 Czaniecki D14/223
D841,626 S * 2/2019 Tang D14/223
D845,932 S * 4/2019 Lu D14/223
D872,063 S * 1/2020 Arimoto D14/223
D884,681 S * 5/2020 Zhang D14/223
D889,441 S * 7/2020 Lin D14/223
D895,578 S * 9/2020 Yang D14/223
D895,580 S * 9/2020 Yu D14/223
D897,319 S * 9/2020 Wang D14/223
D897,322 S * 9/2020 Wei D14/223
D897,996 S * 10/2020 Mei D14/223

FIG. 2 is another perspective view thereof;

FIG. 3 is a front view thereof;

FIG. 4 is a rear view thereof;

FIG. 5 is a left side view of each earphone of the pair of wireless earphones;

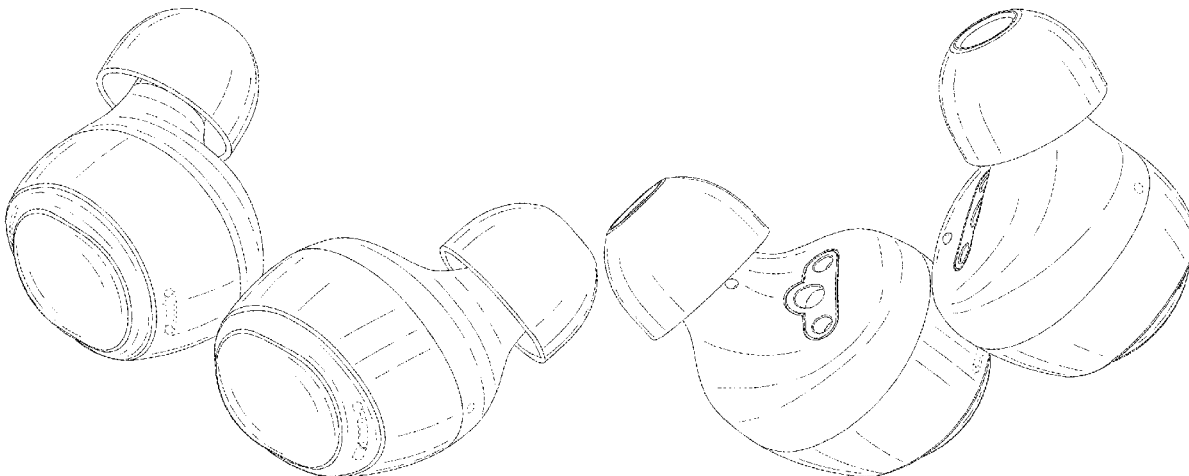
FIG. 6 is a right-side view of each earphone of the pair of wireless earphones;

FIG. 7 is a top plan view thereof; and,

FIG. 8 is a bottom plan view thereof.

The broken lines depict portions of the pair of wireless earphones that form no part of the claimed design.

1 Claim, 8 Drawing Sheets



(56)

References Cited

U.S. PATENT DOCUMENTS

D924,848 S * 7/2021 Yang D14/223
D928,742 S * 8/2021 Liu D14/223
D948,483 S * 4/2022 Yoneyama D14/223
D949,130 S * 4/2022 Loermann D14/223
D959,411 S * 8/2022 Ando D14/223
D964,323 S * 9/2022 Liu D14/223
D971,889 S * 12/2022 Lan D14/223

FOREIGN PATENT DOCUMENTS

GB 6248932 * 12/2022
WO D223062-001 * 9/2022

OTHER PUBLICATIONS

Google Pixel Buds, first available Jul. 21, 2022 [online], [retrieved May 1, 2023]. Available from the Internet, URL:<<https://a.co/d/iTDSTE3>>. (Year: 2022).*

Duet 50 Pro, first available Apr. 26, 2020 [online], [retrieved May 1, 2023]. Available from the Internet, URL:<<https://a.co/d/dK5c2NA>>. (Year: 2020).*

Kurdene Bluetooth, first available Apr. 5, 2020 [online], [retrieved May 1, 2023]. Available from the Internet, URL:<<https://a.co/d/2TfS0IU>>. (Year: 2020).*

HTC Bluetooth, first available Jul. 20, 2022 [online], [retrieved May 1, 2023]. Available from the Internet, URL:<<https://a.co/d/4g1enbh>>. (Year: 2022).*

Tranya T20, first available Jun. 23, 2021 [online], [retrieved May 1, 2023]. Available from the Internet, URL:<<https://a.co/d/0og57Dz>>. (Year: 2021).*

* cited by examiner

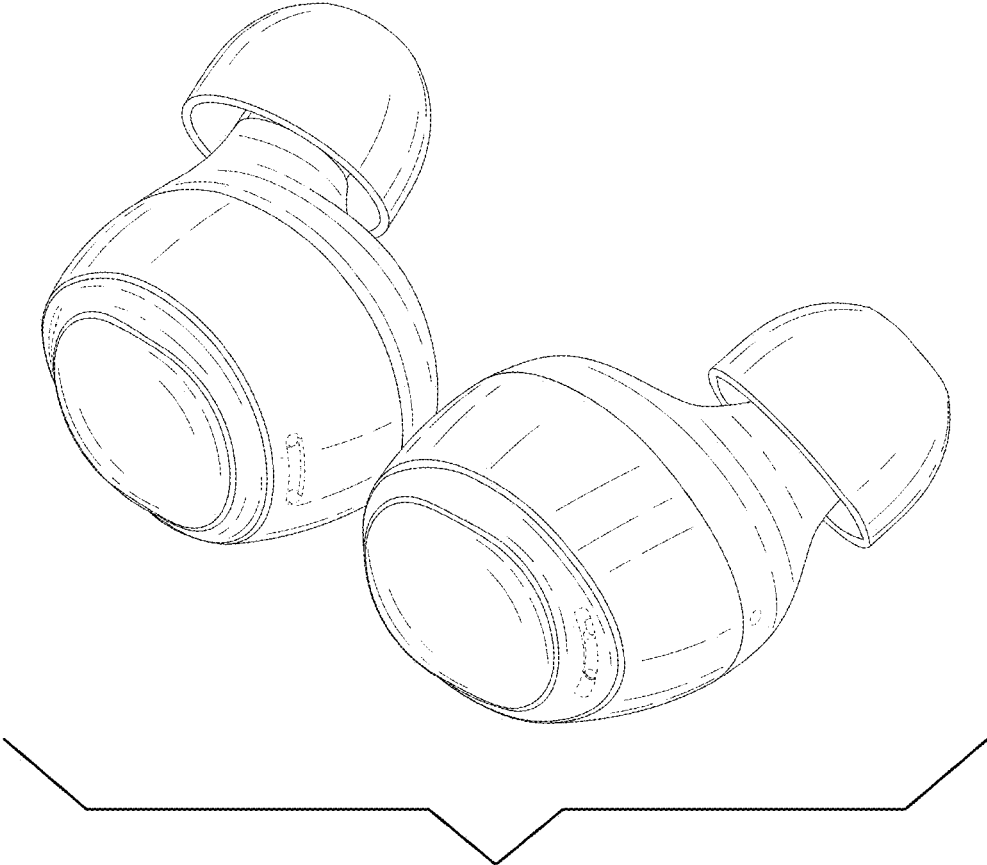


FIG. 1

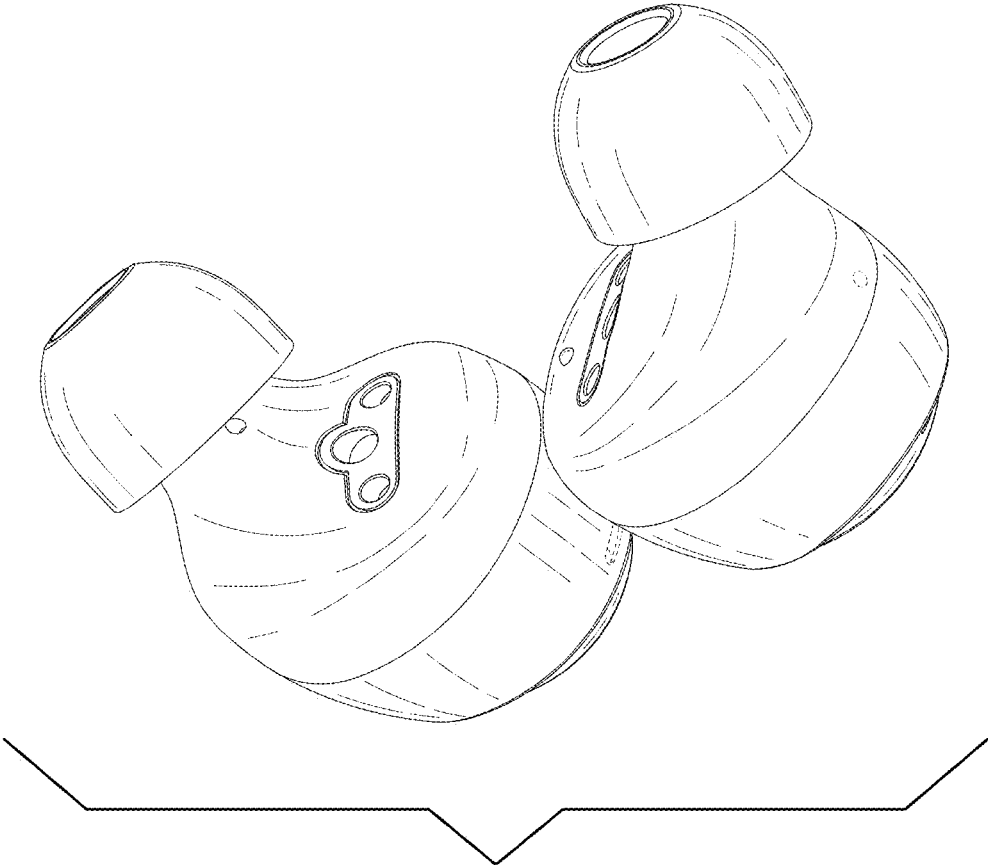


FIG. 2

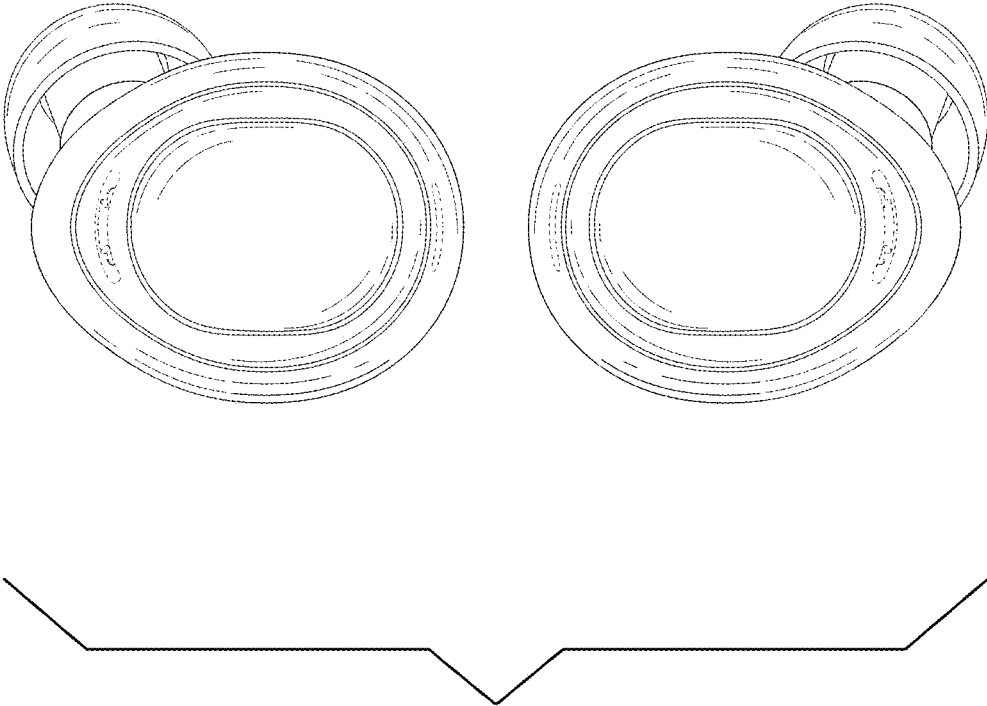


FIG. 3

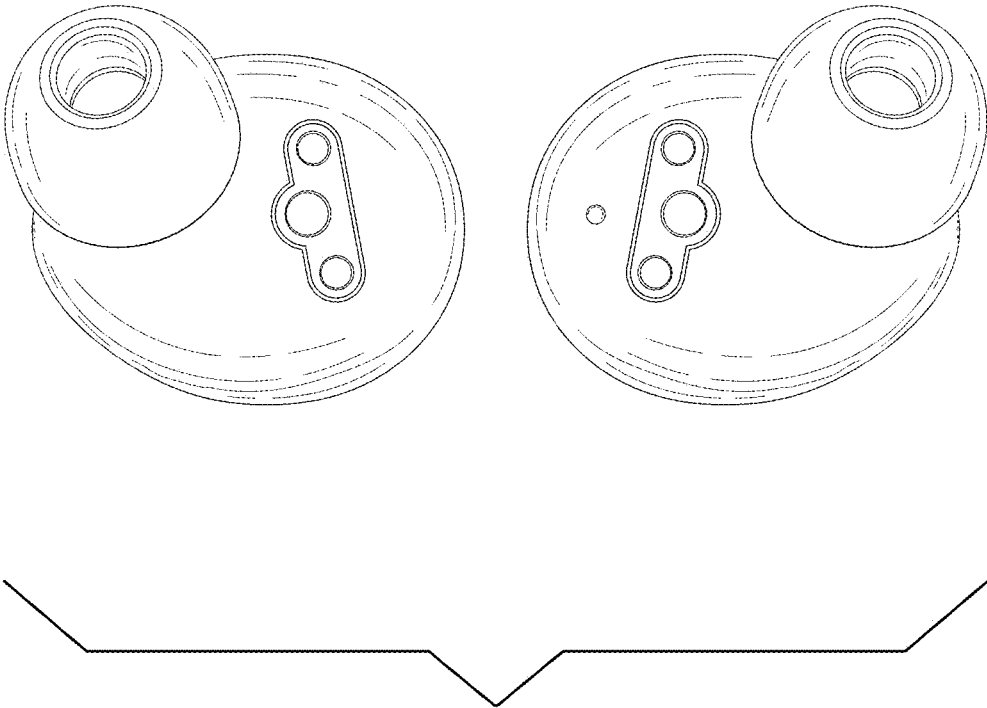


FIG. 4

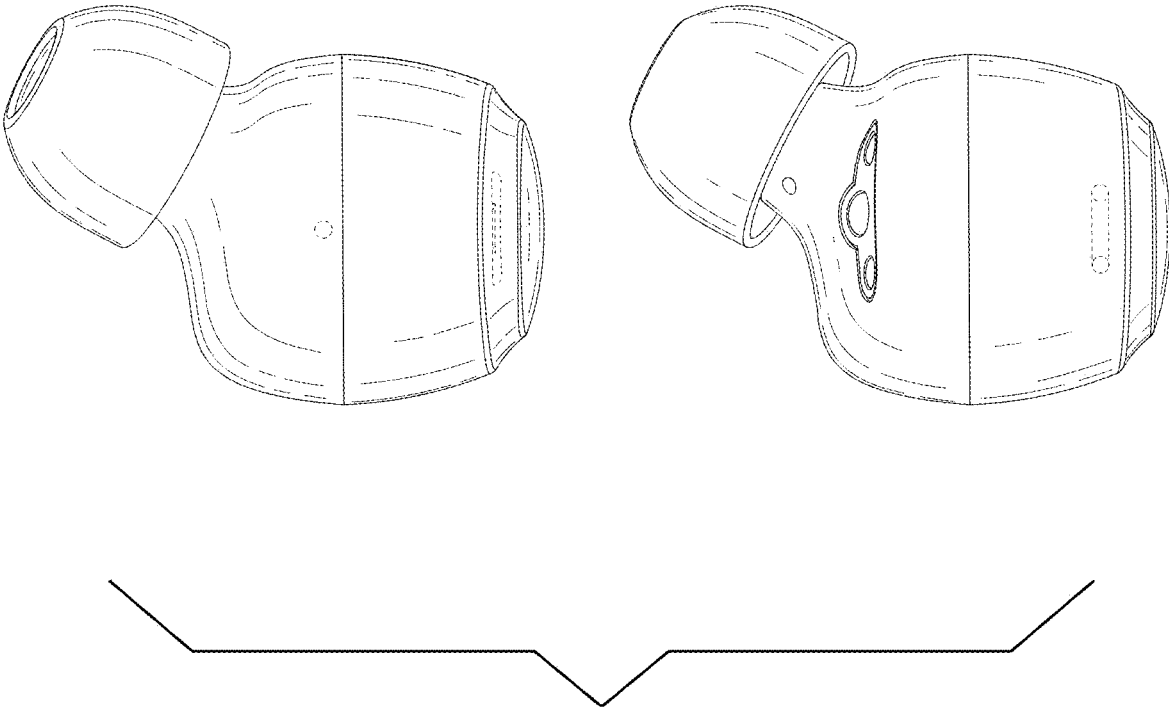


FIG. 5

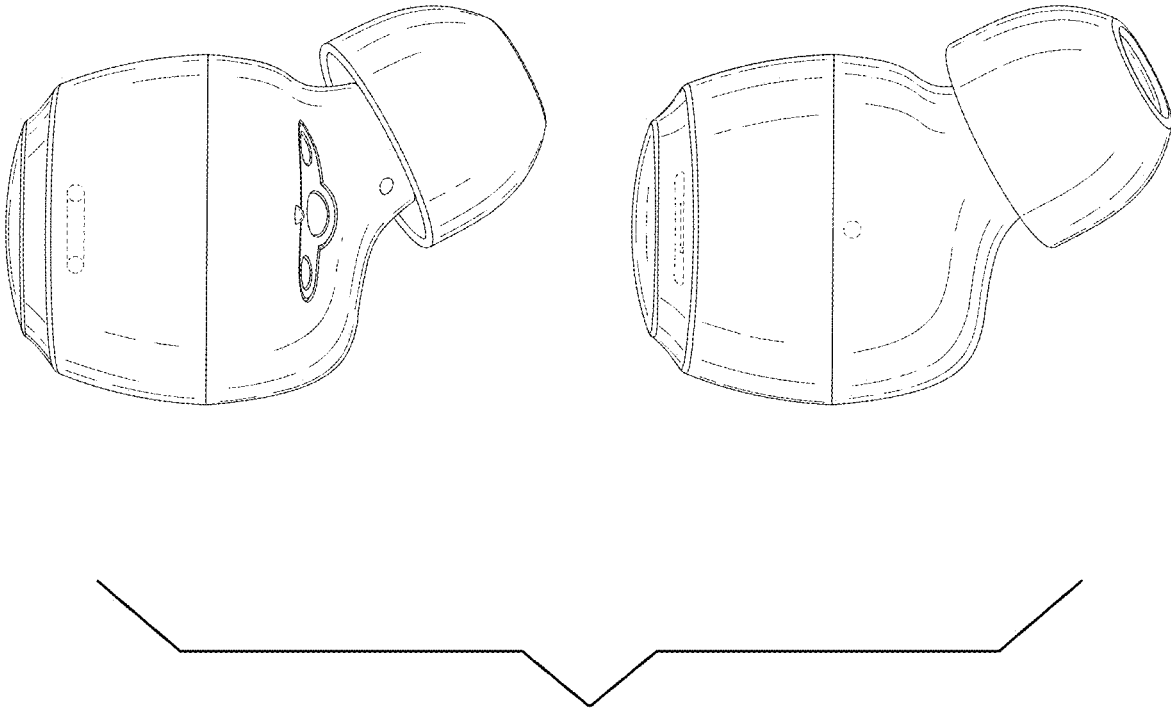


FIG. 6

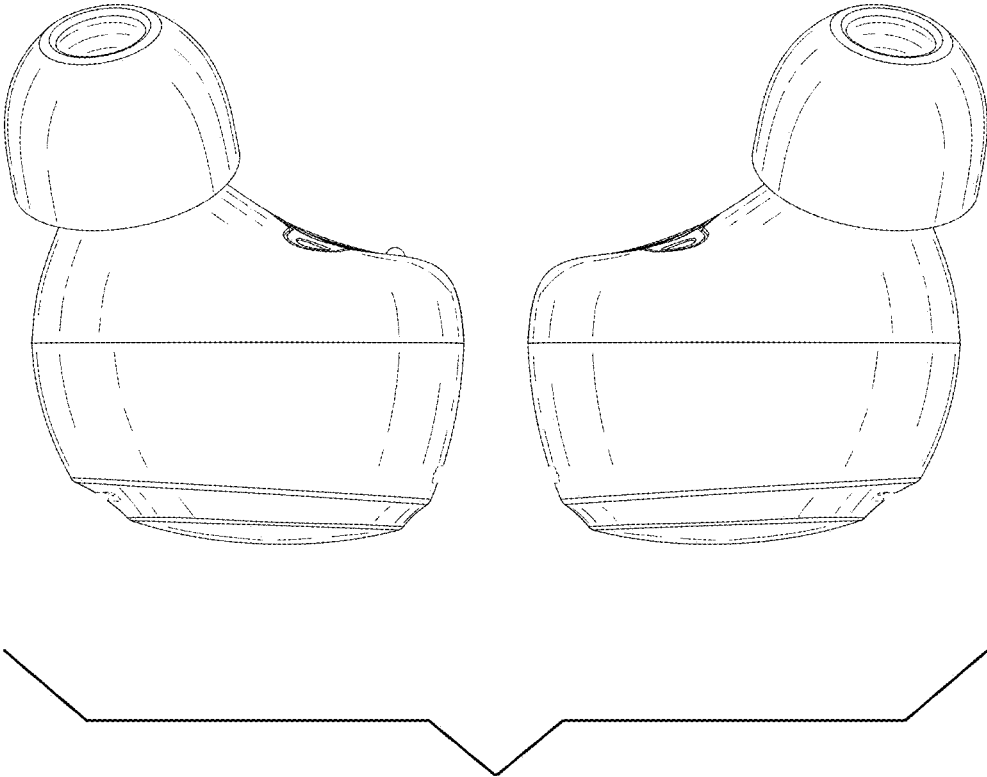


FIG. 7

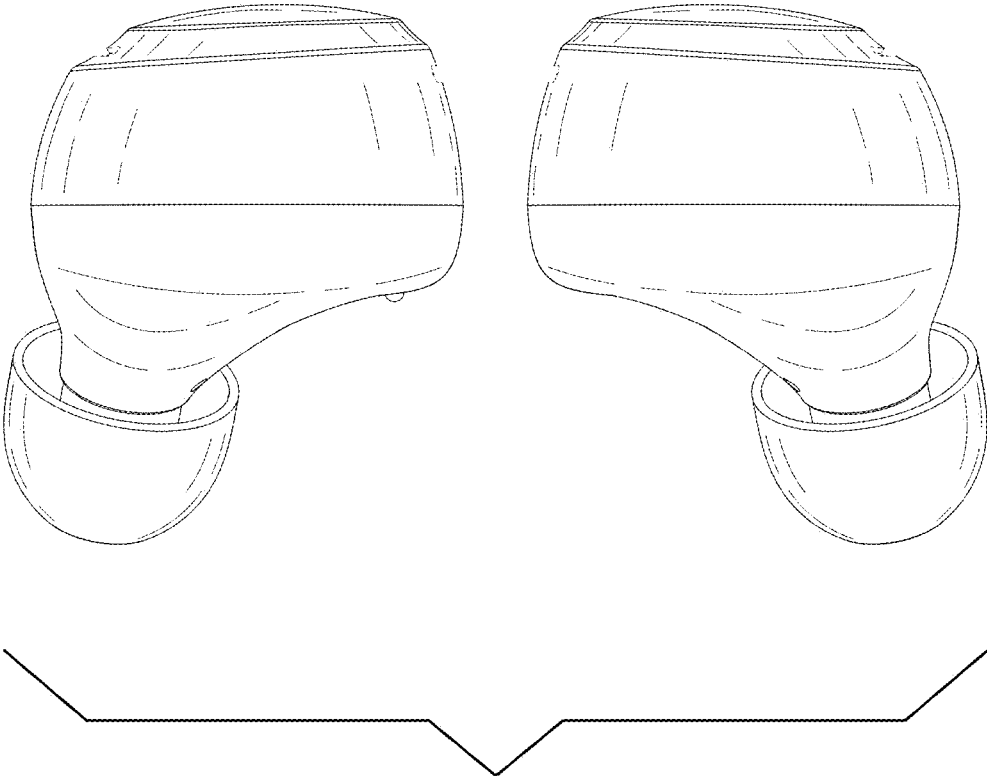


FIG. 8