



US00D439451S

(12) **United States Design Patent**
Simons, Jr. et al.

(10) **Patent No.:** **US D439,451 S**
(45) **Date of Patent:** **** Mar. 27, 2001**

(54) **BACK FOR A SEATING UNIT**

(75) Inventors: **George J. Simons, Jr.**, East Grand Rapids; **David C. Jenkins**, Grand Rapids, both of MI (US); **Arnold B. Dammermann**, Winona, MN (US); **Thomas B. Eich**, Palo Alto; **Thomas Overthun**, San Francisco, both of CA (US); **Kurt R. Heidmann**, Grand Rapids; **David S. Teppo**, East Grand Rapids, both of MI (US)

(73) Assignee: **Steelcase Development Inc.**, Grand Rapids, MI (US)

(**) Term: **14 Years**

(21) Appl. No.: **29/103,161**

(22) Filed: **Apr. 9, 1999**

(51) **LOC (7) Cl.** **06-06**
(52) **U.S. Cl.** **D6/502; D6/366**
(58) **Field of Search** D6/334, 364, 365, D6/366, 367, 500, 501, 502; 297/411.2, 411.27

(56) **References Cited**

U.S. PATENT DOCUMENTS

D. 123,831	*	12/1940	Brainard	D6/364
D. 272,204		1/1984	De Boer	.	
D. 277,143		1/1985	Helmholdt	.	
D. 279,155		6/1985	Aronowitz et al.	.	
D. 292,655		11/1987	Hendrick	.	
D. 309,384		7/1990	Buhk	.	
D. 312,176	*	11/1990	Heidmann	D6/502
D. 320,507		10/1991	Shields	.	
D. 320,704	*	10/1991	Monesi	D6/366
D. 326,369	*	5/1992	Buchacz	D6/366
D. 328,199		7/1992	Citterio	.	
D. 328,822	*	8/1992	Piretti	D6/366
D. 328,980	*	9/1992	Buchacz	D6/366
D. 330,478		10/1992	Wogoman et al.	.	
D. 339,927		10/1993	Fahnstrom et al.	.	
D. 343,740		2/1994	Ginat	.	

D. 345,259		3/1994	Narita	.	
D. 346,279		4/1994	Stumpf et al.	.	
D. 349,621		8/1994	Wilson	.	
D. 351,070		10/1994	Scheper et al.	.	
D. 352,181		11/1994	Ivicevi	.	
D. 358,063		5/1995	Larkin	.	
D. 362,973		10/1995	Schultz	.	
D. 362,974		10/1995	Olson et al.	.	
D. 365,453		12/1995	Newhouse	.	
D. 367,982	*	3/1996	Stirling et al.	D6/500
D. 371,009	*	6/1996	Werner	D6/366
D. 371,683		7/1996	Tolleson et al.	.	
D. 380,110		6/1997	Tortel	.	
D. 381,525	*	7/1997	James	D6/366
D. 390,712		2/1998	Koepke et al.	.	
D. 391,791		3/1998	Smith	.	
D. 393,755		4/1998	Nemeth, Jr.	.	
D. 395,366	*	6/1998	Favanetto	D6/366
D. 398,163		9/1998	Desanta	.	
D. 401,771	*	12/1998	Goodworth et al.	D6/366
D. 411,928	*	7/1999	Ritch et al.	D6/500
D. 414,349	*	9/1999	Jenkins et al.	D6/366

(List continued on next page.)

Primary Examiner—Gary D. Watson
(74) *Attorney, Agent, or Firm*—Price, Heneveld, Cooper, Dewitt & Litton

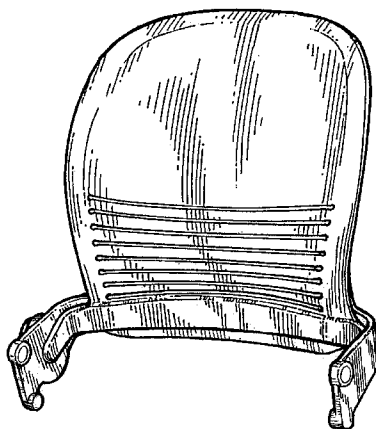
(57) **CLAIM**

The ornamental design for a back for a seating unit, as shown and described.

DESCRIPTION

FIG. 1 is a front perspective view of a chair back embodying the present design;
FIG. 2 is a rear perspective view thereof;
FIG. 3 is a right side view thereof;
FIG. 4 is a left side view thereof;
FIG. 5 is a front view thereof;
FIG. 6 is a rear view thereof;
FIG. 7 is a top view thereof; and,
FIG. 8 is a bottom view thereof.

1 Claim, 4 Drawing Sheets



U.S. PATENT DOCUMENTS						
				5,382,079	1/1995	Wilson et al. .
				5,385,388	1/1995	Faiks et al. .
D. 417,101	*	11/1999	DeSanta et al. D6/500	5,501,507	3/1996	Hummitzsch .
D. 421,540	*	3/2000	Jenkins et al. D6/502	5,577,807	11/1996	Hodge et al. .
4,451,085		5/1984	Franck et al. .	5,599,067	2/1997	Schuelke et al. .
4,509,793		4/1985	Wiesmann et al. .	5,667,277	9/1997	Van De Riet .
4,529,247		7/1985	Stumpf et al. .			
4,861,108		8/1989	Acton et al. .			
4,911,501		3/1990	Decker et al. .			

* cited by examiner

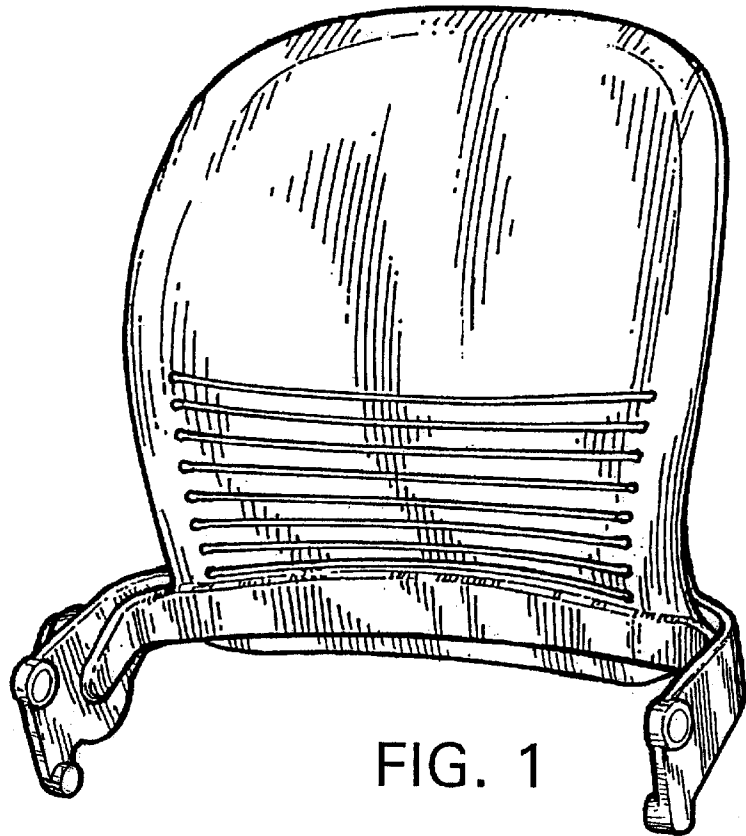


FIG. 1

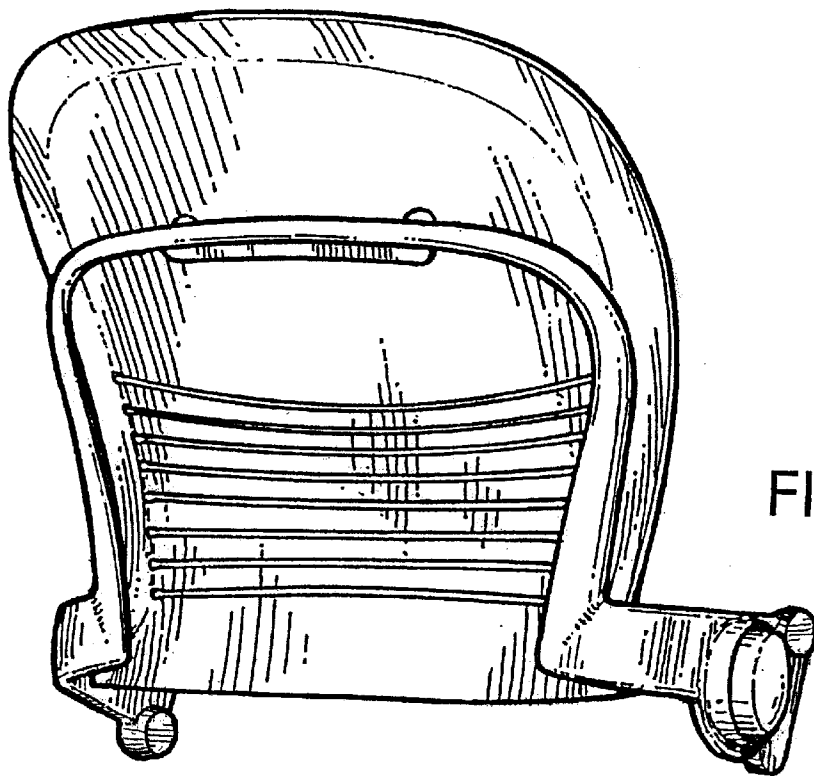


FIG. 2

FIG. 3

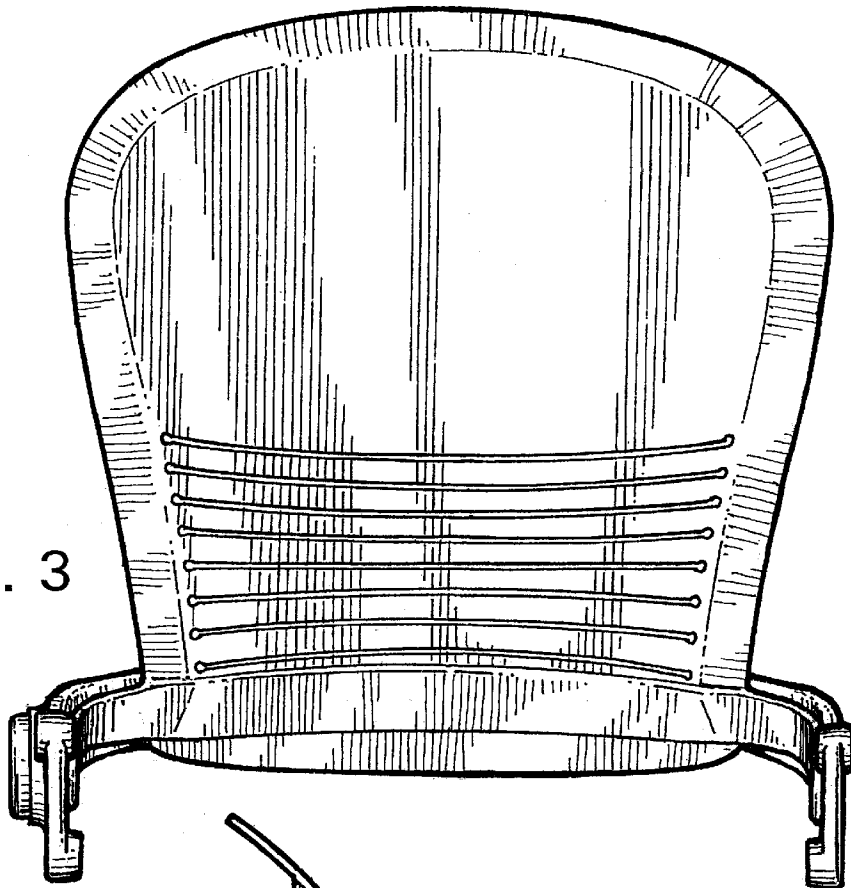


FIG. 4

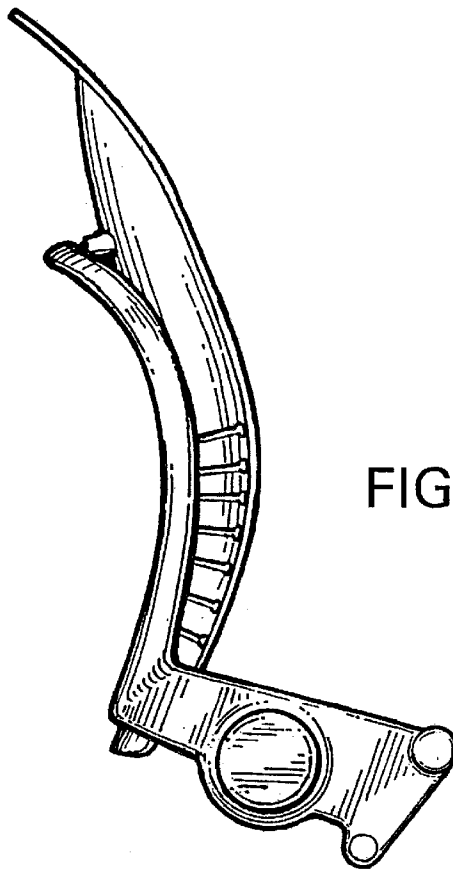


FIG. 5

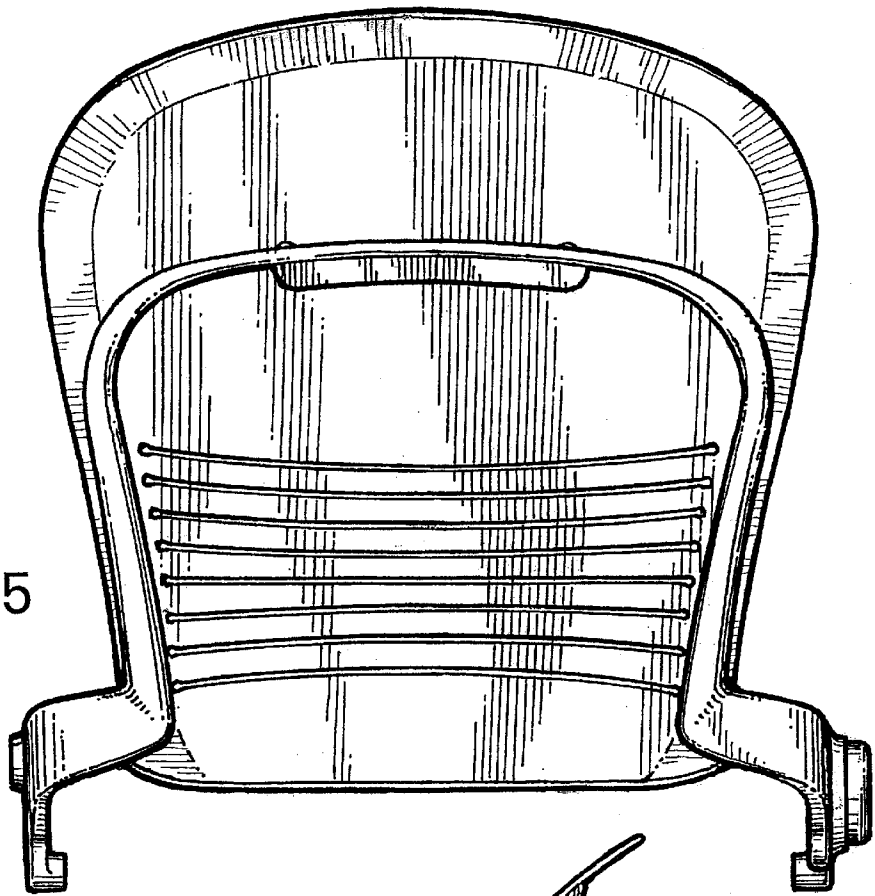


FIG. 6

