



US00D871812S

(12) **United States Design Patent**  
Su et al.

(10) **Patent No.:** **US D871,812 S**  
(45) **Date of Patent:** **\*\* Jan. 7, 2020**

- (54) **DRAWER SIDE PANEL**
- (71) Applicants: **KING SLIDE WORKS CO., LTD.**,  
Kaohsiung (TW); **KING SLIDE TECHNOLOGY CO., LTD.**,  
Kaohsiung (TW)
- (72) Inventors: **Fang-Cheng Su**, Kaohsiung (TW);  
**Ci-Bin Huang**, Kaohsiung (TW);  
**Shih-Lung Huang**, Kaohsiung (TW);  
**Shan-Yao Chen**, Kaohsiung (TW);  
**Ching-Fu Chiu**, Kaohsiung (TW);  
**Shu-Chen Lin**, Kaohsiung (TW)
- (73) Assignees: **King Slide Works Co., Ltd.**,  
Kaohsiung (TW); **King Slide Technology Co., Ltd.**, Kaohsiung (TW)
- (\*\*) Term: **15 Years**
- (21) Appl. No.: **29/599,204**
- (22) Filed: **Mar. 31, 2017**
- (51) **LOC (12) Cl.** ..... **06-06**
- (52) **U.S. Cl.**  
USPC ..... **D6/705.4; D6/705.2; D6/705.5**
- (58) **Field of Classification Search**  
USPC .... D3/297; D6/663, 664, 664.1, 671, 671.1,  
D6/671.2, 671.3, 671.4, 705, 705.2,  
D6/705.4, 705.5, 707.19  
CPC ..... A47B 17/04; A47B 47/03; A47B 67/00;  
A47B 67/04; A47B 88/00; A47B 88/40;  
A47B 77/00  
See application file for complete search history.

D684,399 S *	6/2013	Gasser	.....	D6/705.5
D684,400 S *	6/2013	Gasser	.....	D6/705.5
D684,401 S *	6/2013	Gasser	.....	D6/705
D684,796 S *	6/2013	Gasser	.....	D6/705.5
D686,428 S *	7/2013	Gasser	.....	D6/705.2
D746,090 S *	12/2015	Grabher	.....	D6/705.5
D757,474 S *	5/2016	Grabher	.....	D6/705.5
2012/0097814 A1*	4/2012	Smed	.....	A47B 21/0314 248/224.8
2017/0258226 A1*	9/2017	Rowland	.....	A47B 88/40

**OTHER PUBLICATIONS**

SIMLEAD, posted at Youtube.com, posted on Dec. 21, 2017, site visited Apr. 18, 2019. online, available from internet: <https://www.youtube.com/watch?v=bVnLt6EPqLM> (Year: 2017).\*

\* cited by examiner

*Primary Examiner* — Mary Ann Calabrese  
*Assistant Examiner* — Catherine Ho

(74) *Attorney, Agent, or Firm* — Rosenberg, Klein & Lee

(57) **CLAIM**

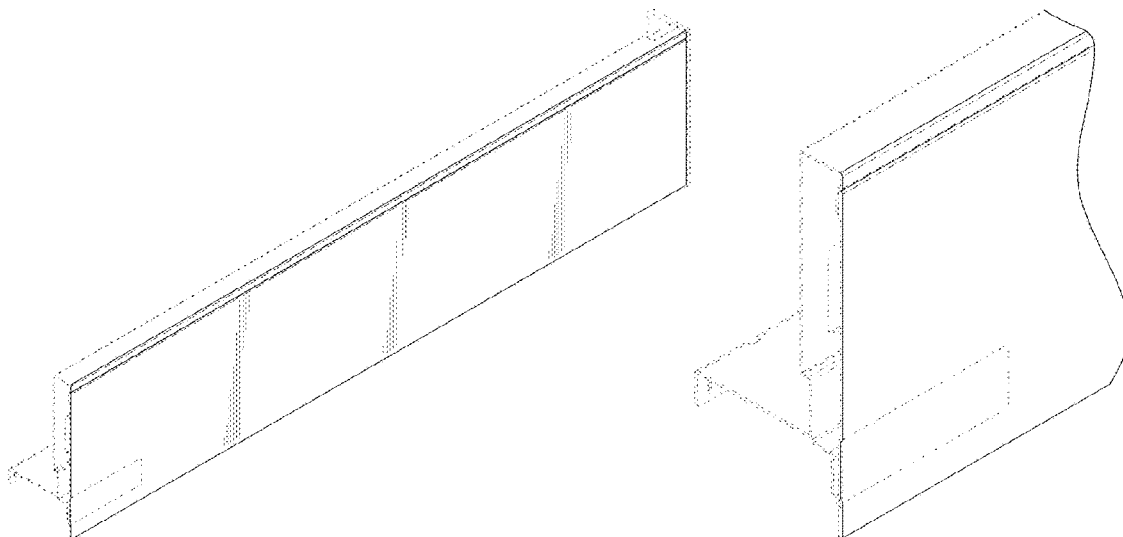
The ornamental design for a drawer side panel, as shown and described.

**DESCRIPTION**

FIG. 1 is a perspective view of a drawer side panel, showing my new design;  
FIG. 2 is a front view thereof;  
FIG. 3 is a rear view thereof;  
FIG. 4 is a left view thereof;  
FIG. 5 is a right view thereof;  
FIG. 6 is a top plan view thereof;  
FIG. 7 is a bottom plan view thereof; and,  
FIG. 8 is an enlarged fragmentary view of left side of the perspective view of FIG. 1.  
All broken line portions of the figure drawings are included to show portions of the article that form no part of the claimed design.

**1 Claim, 4 Drawing Sheets**

- (56) **References Cited**  
U.S. PATENT DOCUMENTS  
D255,741 S \* 7/1980 Litchfield ..... D6/705.4  
D298,708 S \* 11/1988 Nygren ..... D6/705.4  
D335,981 S \* 6/1993 Cichonski ..... D6/706  
D674,626 S \* 1/2013 Gasser ..... D6/705.5



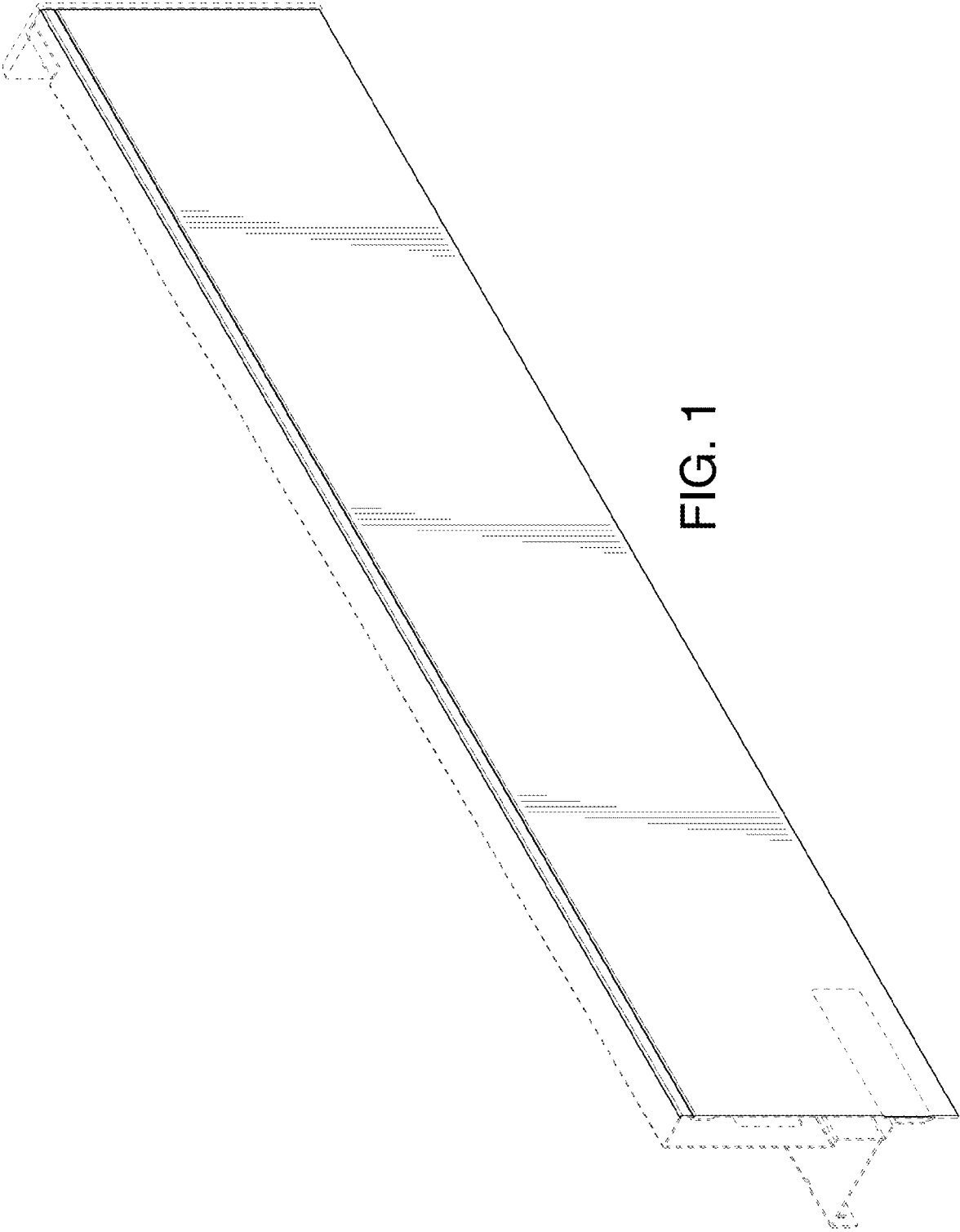


FIG. 1

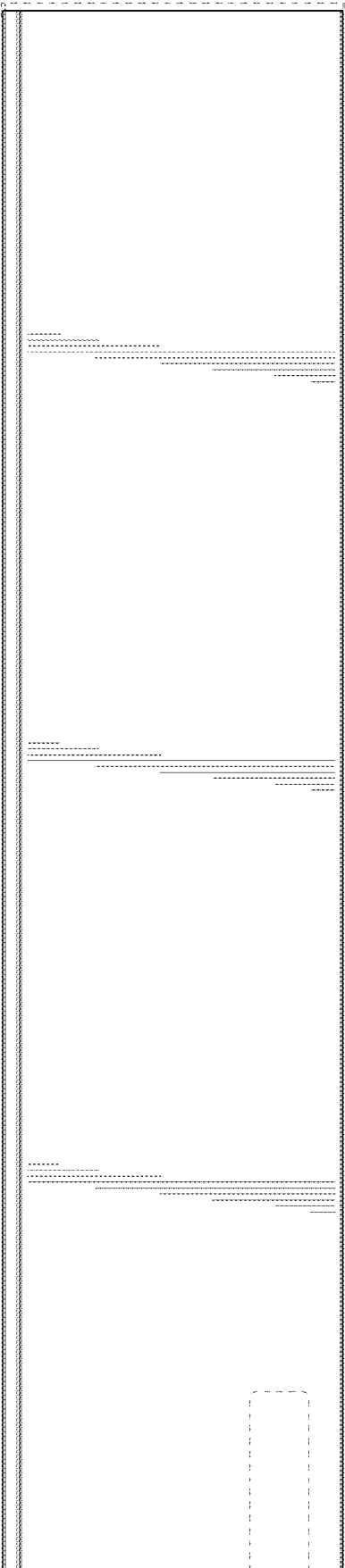


FIG. 2

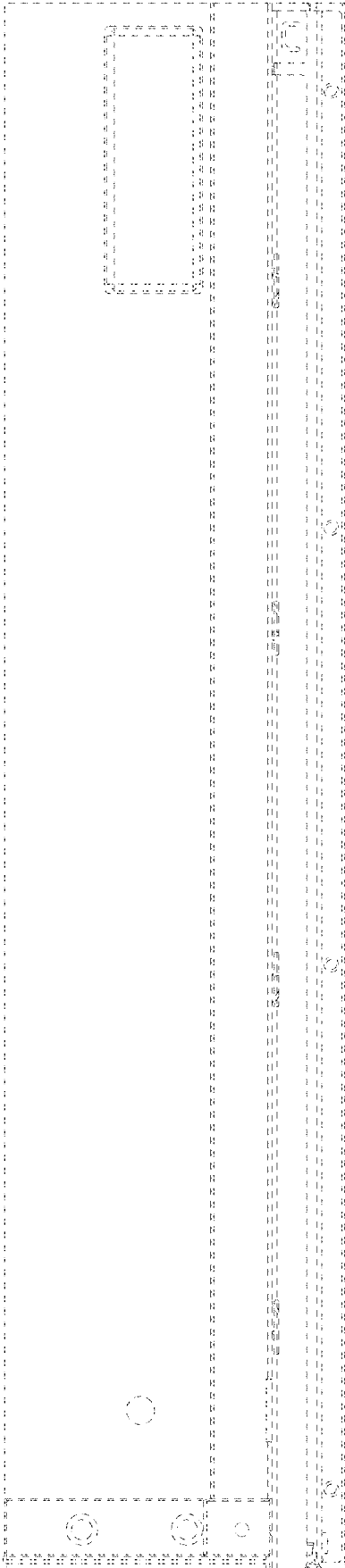


FIG. 3

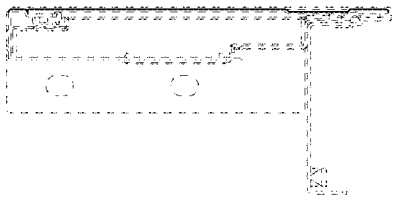


FIG. 4

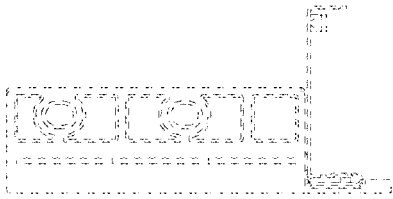


FIG. 5

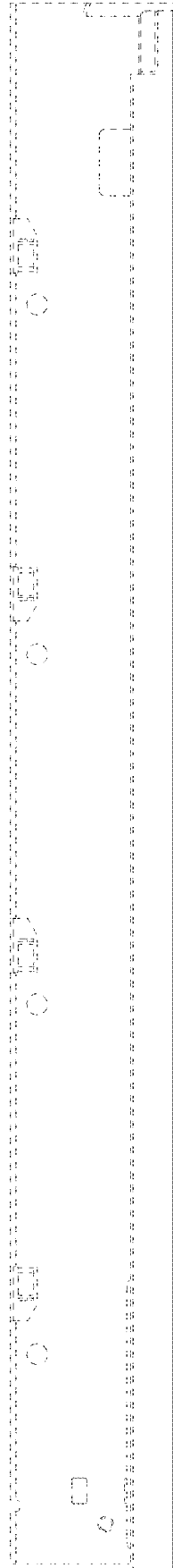


FIG. 6

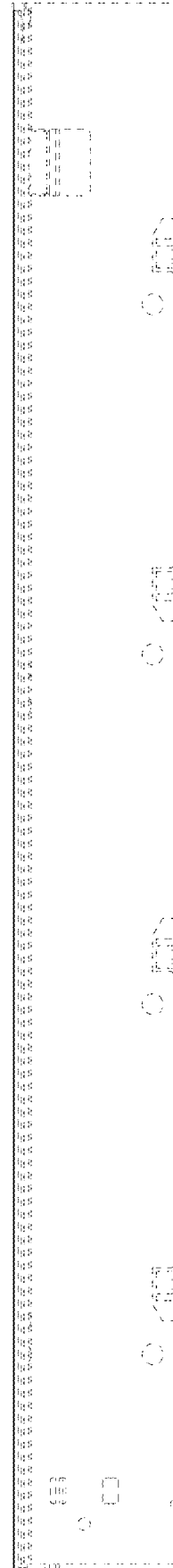


FIG. 7

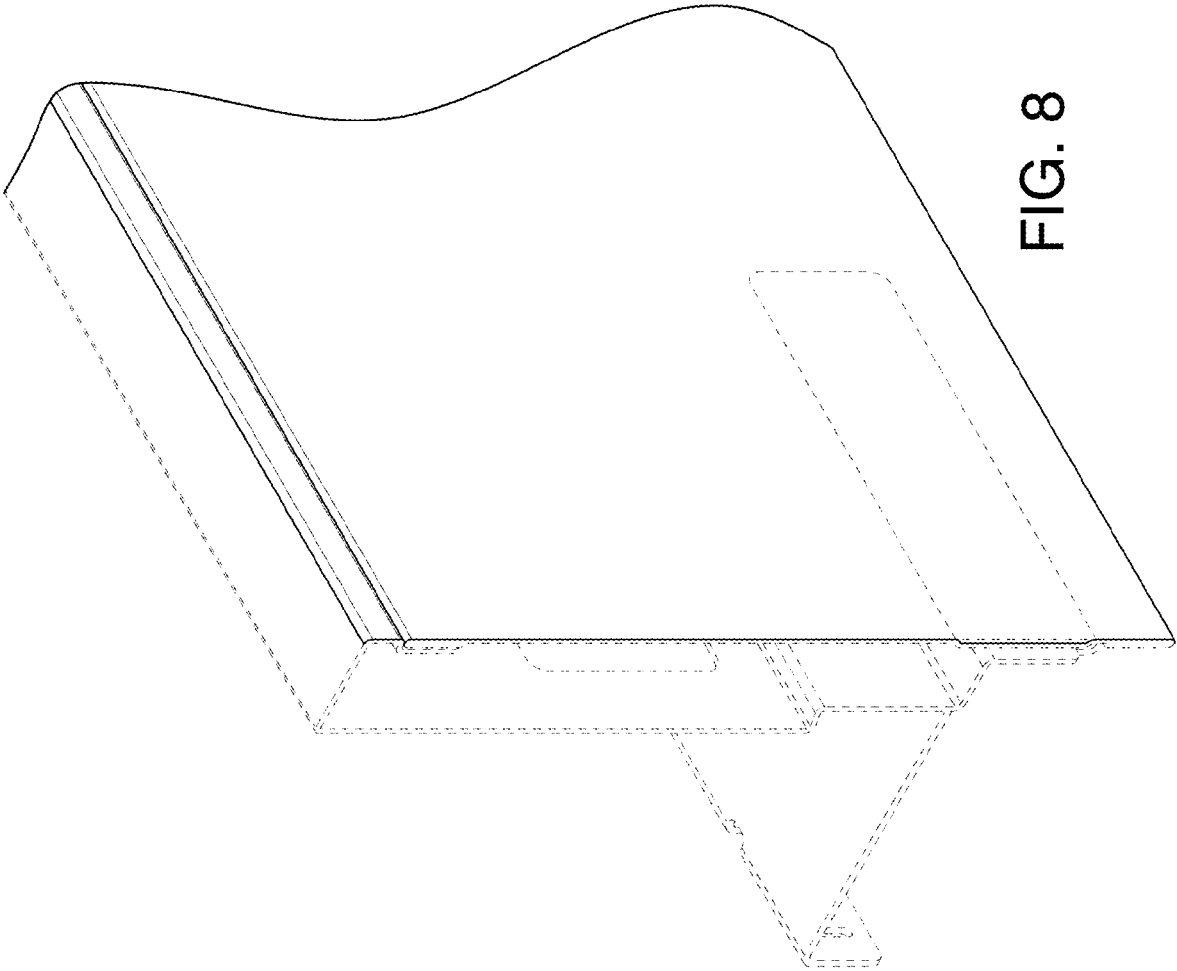


FIG. 8