



US00D618149S

(12) **United States Design Patent**
Antoniadis et al.

(10) **Patent No.:** **US D618,149 S**

(45) **Date of Patent:** **** Jun. 22, 2010**

(54) **WHEEL OR WHEEL COVER**

(75) Inventors: **Apostolos Antoniadis**, Sindelfingen (DE); **Gert Stolz**, Kernen (DE)

(73) Assignee: **Daimler AG**, Stuttgart (DE)

(**) Term: **14 Years**

(21) Appl. No.: **29/311,244**

(22) Filed: **Jan. 27, 2009**

(30) **Foreign Application Priority Data**

Jul. 28, 2008 (EM) 000977988-0002

(51) **LOC (9) Cl.** **12-16**

(52) **U.S. Cl.** **D12/209**

(58) **Field of Classification Search** D12/204–213;
301/37.101, 64.101, 65, 64.201

See application file for complete search history.

(56) **References Cited**

U.S. PATENT DOCUMENTS

D84,318 S *	6/1931	Beutke et al.	D12/209
D411,502 S *	6/1999	Chung	D12/211
D475,669 S *	6/2003	Boyer	D12/209
D504,647 S *	5/2005	Leclercq	D12/209
D507,224 S *	7/2005	Pfeiffer	D12/211
D514,999 S *	2/2006	Boyer	D12/209
D520,434 S *	5/2006	Fahr-Becker	D12/211

D520,933 S *	5/2006	Pfeiffer	D12/211
D522,430 S *	6/2006	Nordmann	D12/209
D528,962 S *	9/2006	Blasi	D12/211
D529,854 S *	10/2006	Scheu	D12/211
D535,935 S *	1/2007	Scheu	D12/211
D538,729 S *	3/2007	Pfeiffer	D12/209
D539,722 S *	4/2007	Pfeiffer	D12/211
D552,524 S *	10/2007	Tirado	D12/209
D582,830 S *	12/2008	Musser	D12/211
D590,320 S *	4/2009	Scheu	D12/211
D592,578 S *	5/2009	Chung	D12/209

* cited by examiner

Primary Examiner—Stacia Cadmus

(74) *Attorney, Agent, or Firm*—Crowell & Moring LLP

(57) **CLAIM**

The ornamental design for a wheel or wheel cover, as shown and described.

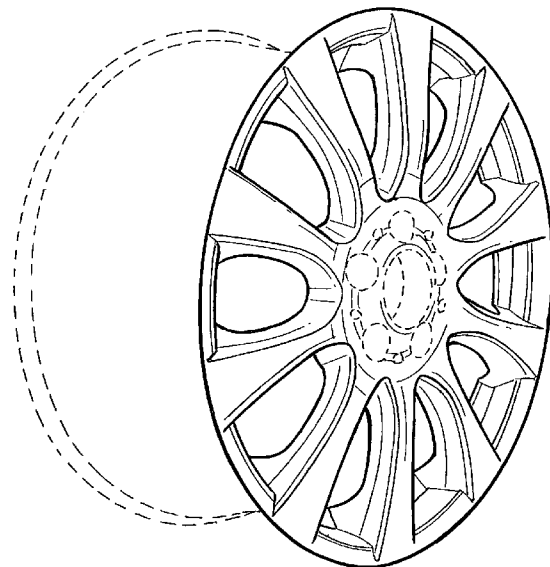
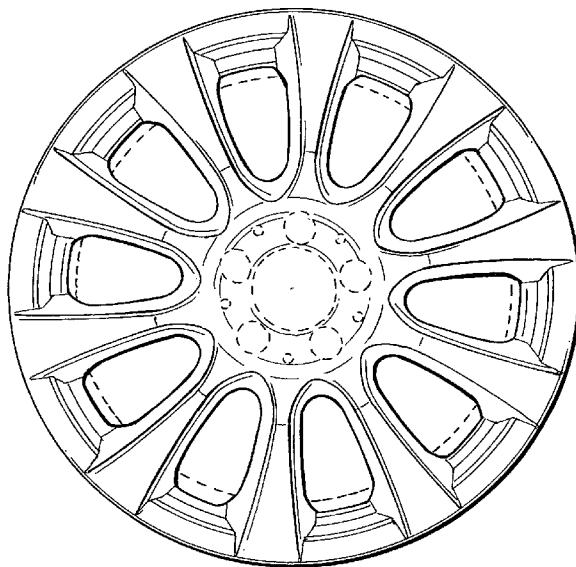
DESCRIPTION

FIG. 1 is a front view of a wheel or wheel cover according to our novel design; and,

FIG. 2 is a perspective view thereof.

The broken line showing of the rear of the rim and the bolt holes and center hole in the central hub area is included for the purpose of illustrating environment and forms no part of the claimed design.

1 Claim, 1 Drawing Sheet



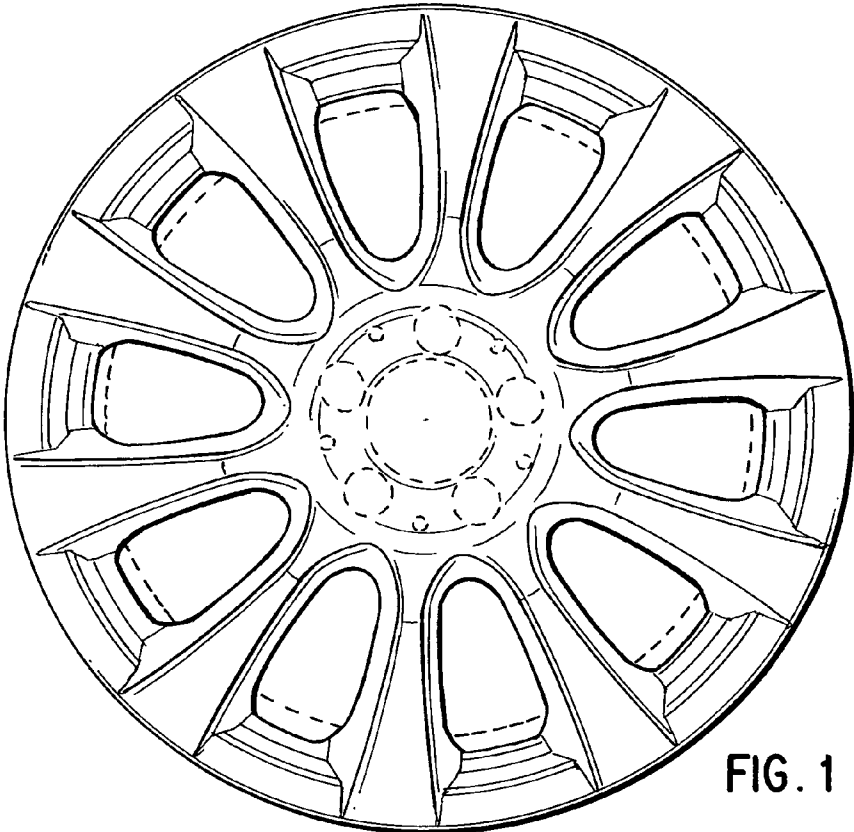


FIG. 1

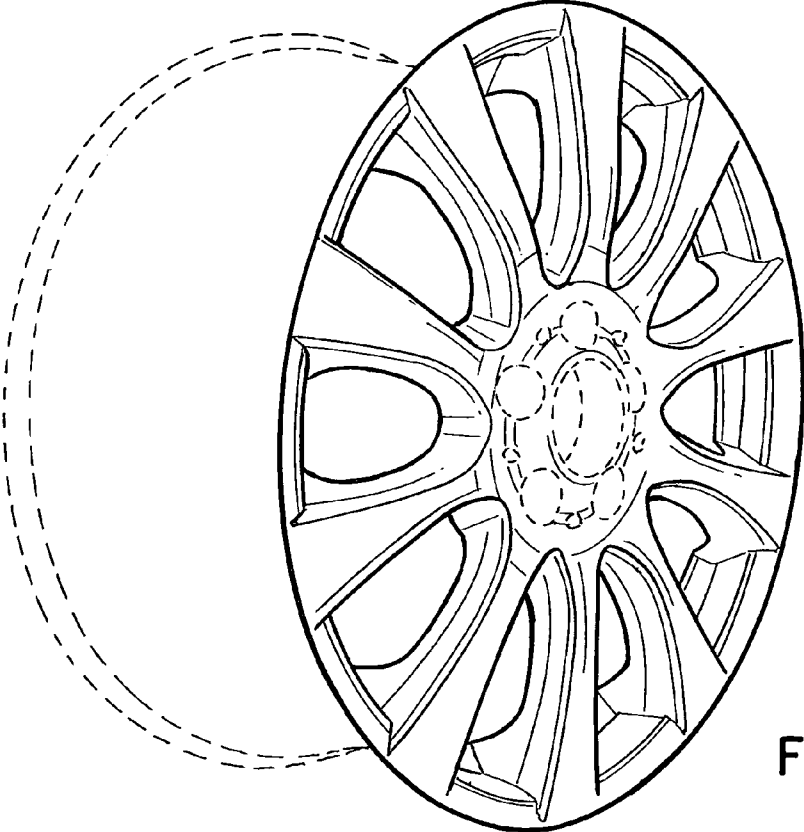


FIG. 2