



US00D384125S

United States Patent [19] Griffin

[11] Patent Number: Des. 384,125
[45] Date of Patent: **Sep. 23, 1997

[54] **RAPID DEPLOYMENT TENT**

[76] Inventor: **Calvin Christopher Griffin**, 1164
Bishop St. Suite 124, Honolulu, HI,
96813

[**] Term: **14 Years**

[21] Appl. No.: **22,100**

[22] Filed: **Apr. 29, 1994**

[51] **LOC (6) Cl.** **21-04**

[52] **U.S. Cl.** **D21/253**

[58] **Field of Search** D21/114, 118,
D21/253, 242-244; D25/13, 19, 56; 446/423,
476, 478; 135/100, 104, 105, 106, 115,
902, 900, 89; 482/35, 36

[56] **References Cited**

U.S. PATENT DOCUMENTS

D. 203,035	11/1965	Hoehne	D21/253
D. 232,850	9/1974	Bloyd	D21/253
D. 251,215	2/1979	Marks	D21/253
D. 259,653	6/1981	Day	D21/253
D. 260,277	8/1981	Davis	D21/253
D. 270,928	10/1983	Brossier	D21/253

D. 323,869	2/1992	Cantwell	D21/253
D. 325,239	4/1992	Norman	D21/253
D. 326,495	5/1992	Pearce	D21/253
D. 351,011	9/1994	Tsai	D21/253
1,528,629	3/1925	Quinan et al.	135/106
2,277,020	3/1942	Lynn	135/106
2,848,756	8/1958	McCann	D25/56
2,934,076	4/1960	Fulke	D25/13
3,404,696	10/1968	Filho	135/902
5,080,123	1/1992	Stein	135/115

Primary Examiner—Raphael Barkai

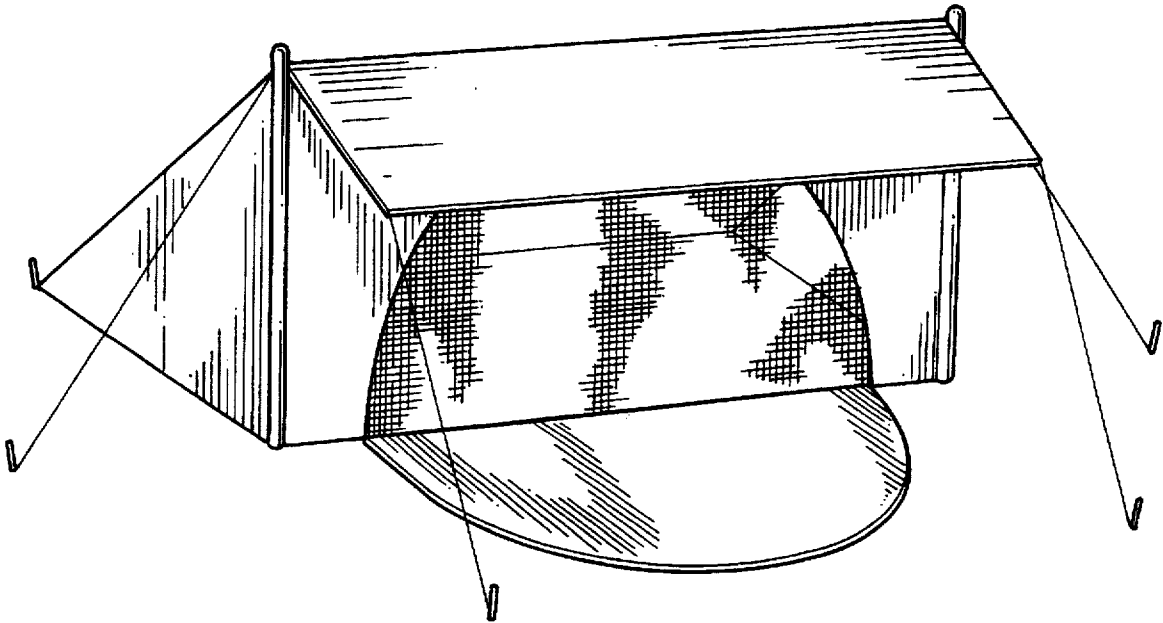
[57] **CLAIM**

The ornamental design for the rapid deployment tent, as shown and described.

DESCRIPTION

FIG. 1 is a left side perspective view of the rapid deployment tent showing my new design, the cross-hatching is intended to represent conventional screening;
FIG. 2 is right side perspective view thereof in the closed position;
FIG. 3 is rear perspective view thereof;
FIG. 4 is left side view thereof.

1 Claim, 4 Drawing Sheets



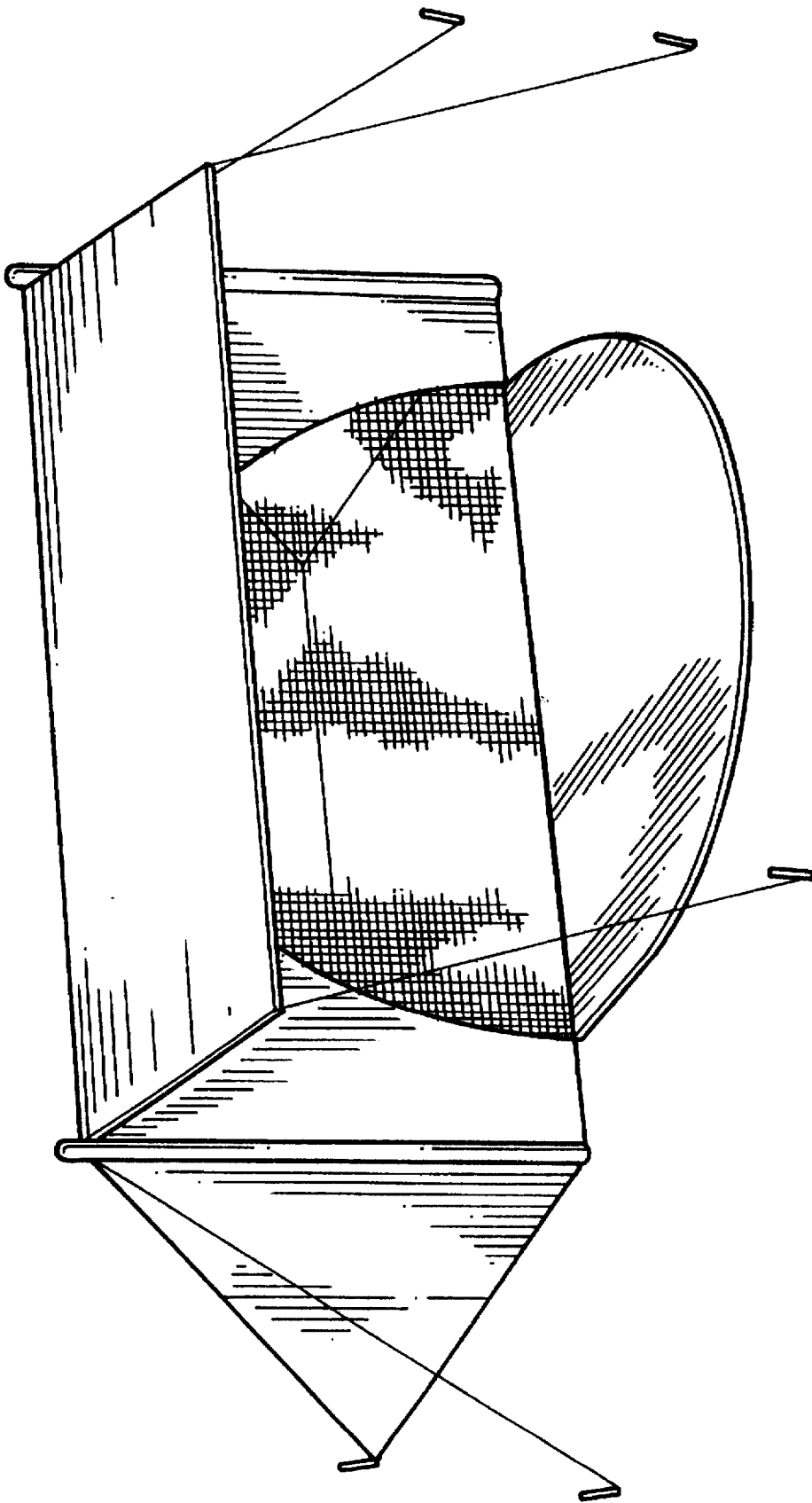


FIG. 1

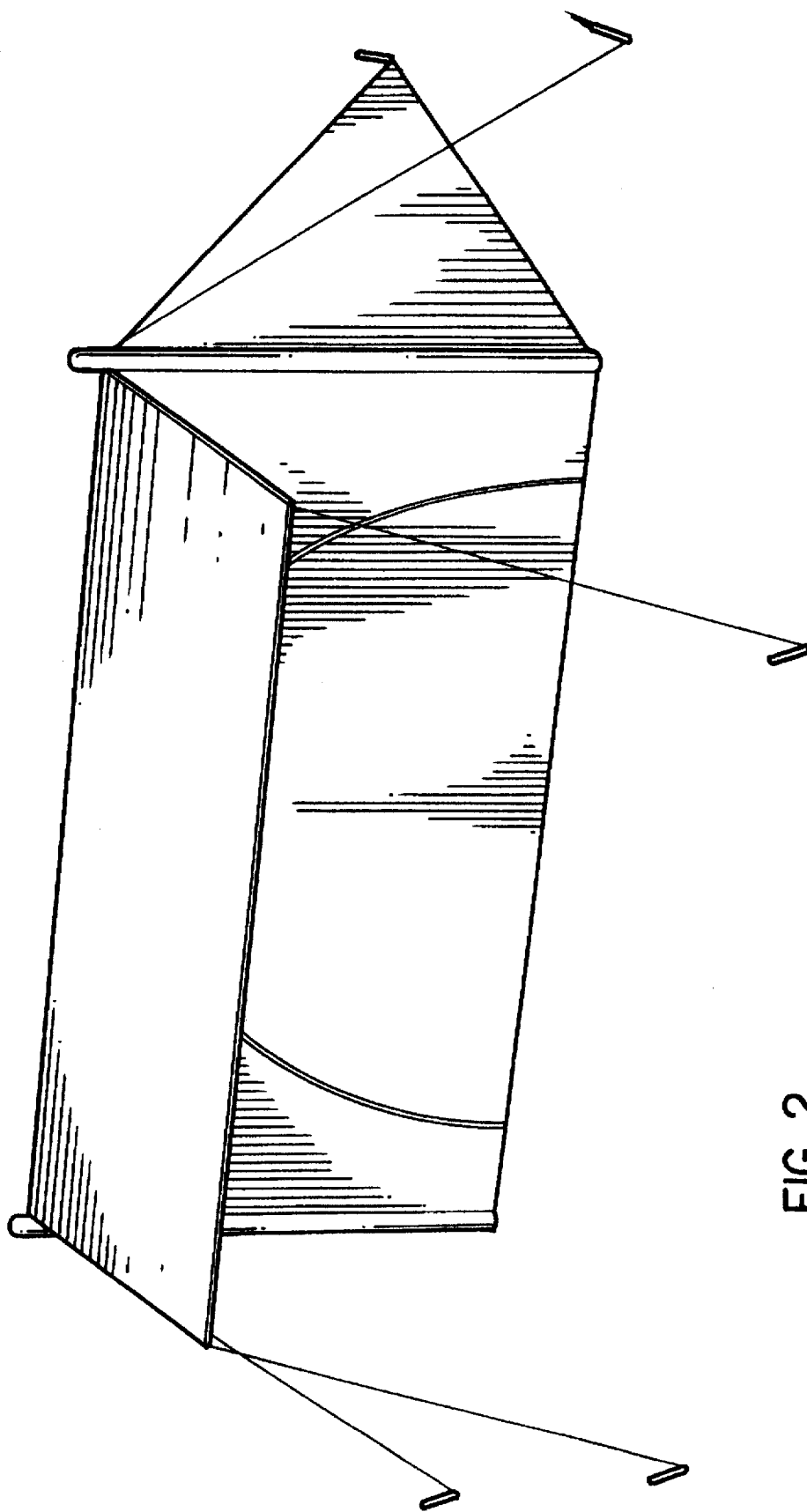


FIG. 2

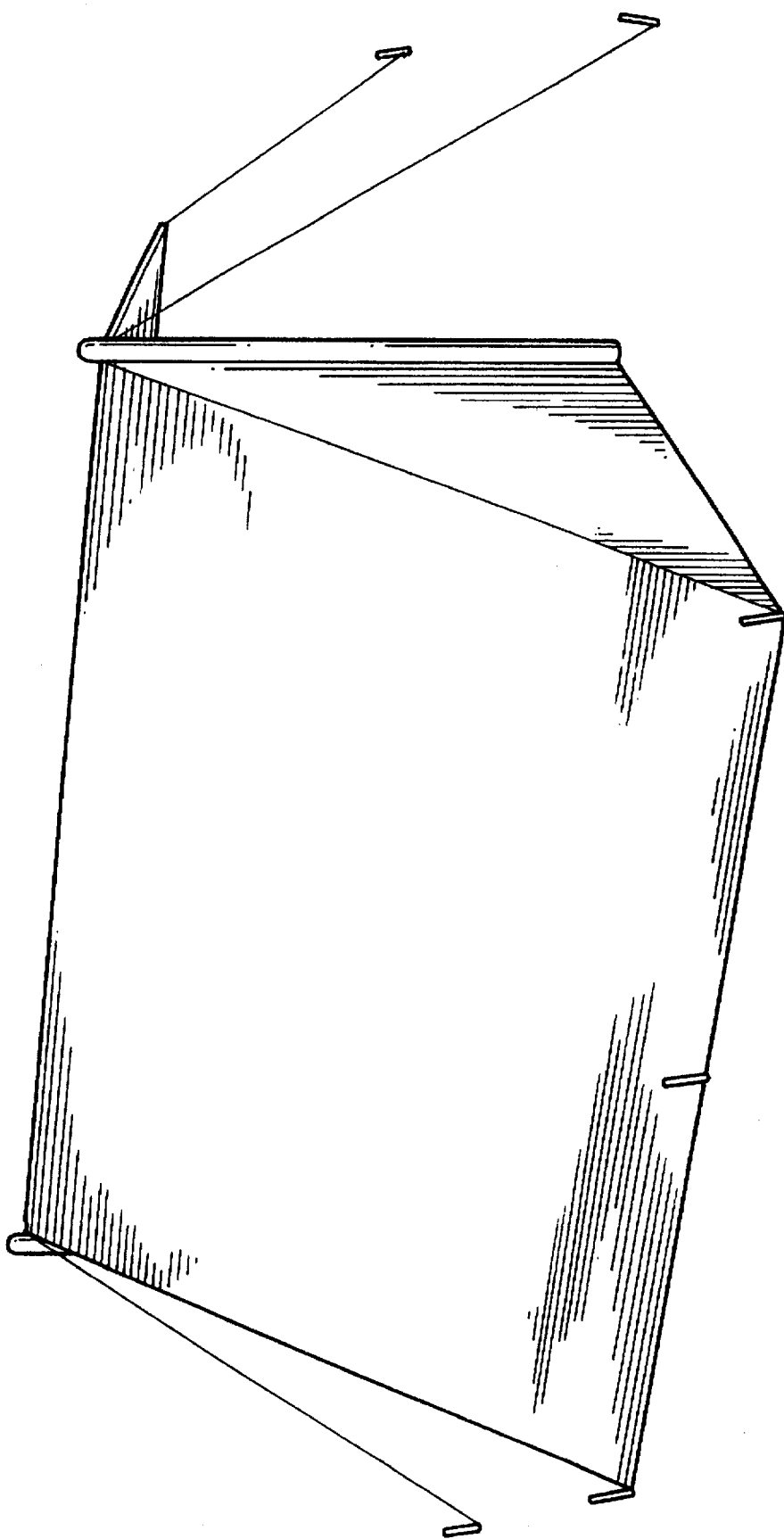


FIG. 3

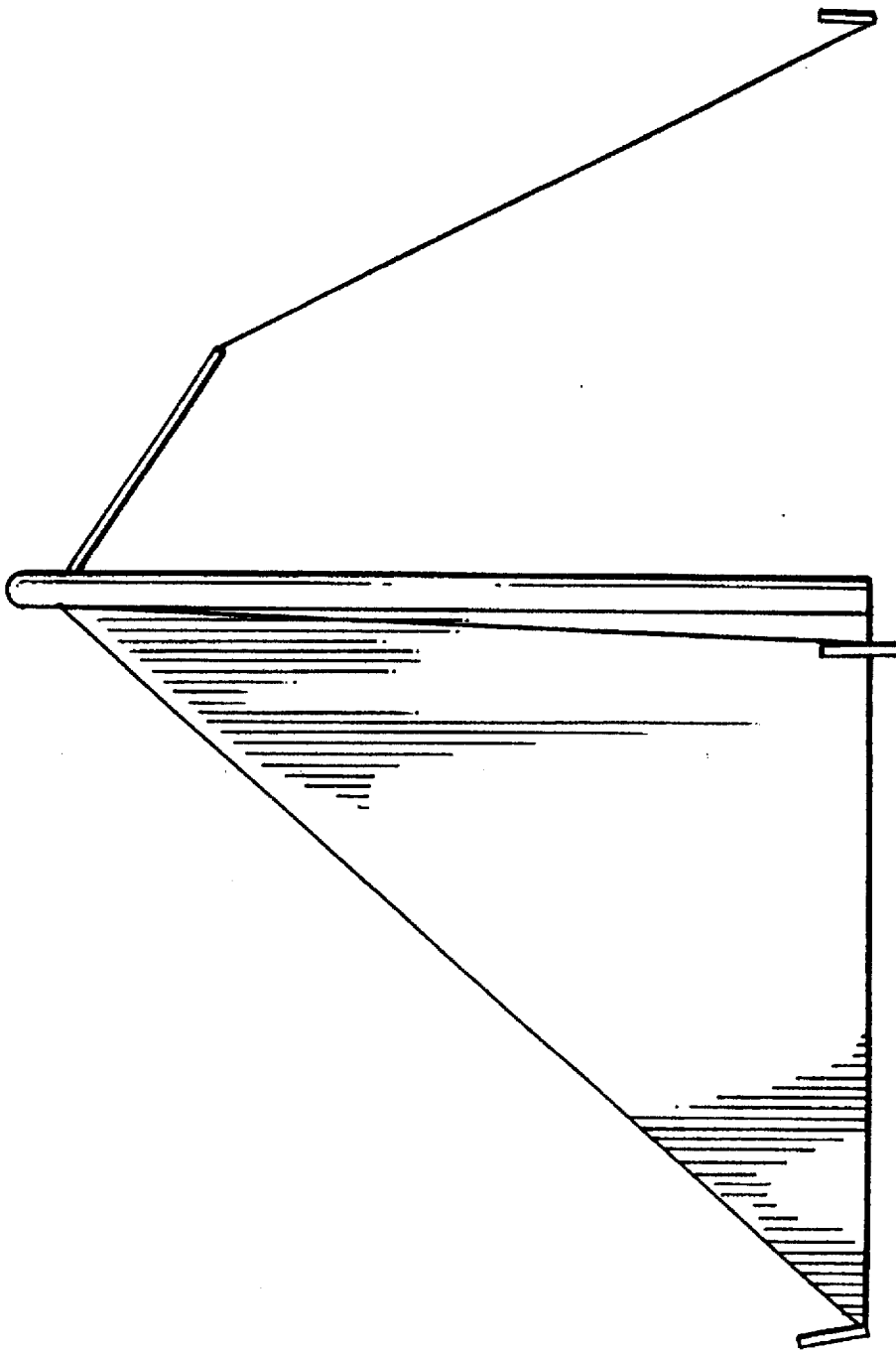


FIG. 4