



US00D386931S

United States Patent [19]

[11] Patent Number: **Des. 386,931**

Nemeth

[45] Date of Patent: ****Dec. 2, 1997**

[54] **STORAGE RACK FOR ELECTRONIC DATA MEDIA**

[75] Inventor: **Bradley M. Nemeth**, Oak Ridge, Tenn.

[73] Assignee: **Brauner-Nemeth, Inc.**, Palo Alto, Calif.

[**] Term: **14 Years**

[21] Appl. No.: **62,509**

[22] Filed: **Nov. 18, 1996**

[51] **LOC (6) Cl.** **06-04**

[52] **U.S. Cl.** **D6/629; D6/467**

[58] **Field of Search** **D6/407, 629, 630, D6/627, 628, 466, 468, 467, 476; 211/40-42; 206/503, 509, 307, 307.1, 308.1, 309, 387.1, 387.15, 445, 454; 312/9.48, 9.53, 9.47, 9.1, 9.64**

D. 308,599	6/1990	Long et al.	D6/629
D. 320,707	10/1991	Garfinkle	D6/407
4,620,740	11/1986	Kinzig	312/9.64 X
4,655,345	4/1987	Drake et al.	206/309
4,678,245	7/1987	Fouassier	206/308.1 X
4,889,244	12/1989	Hehn et al.	211/40 X
5,050,734	9/1991	Chen	312/9.47 X
5,238,112	8/1993	Massey et al.	312/9.53 X

Primary Examiner—Jeffrey Asch
Attorney, Agent, or Firm—Pitts & Brittan, P.C.

[57] CLAIM

The ornamental design of a storage rack for electronic data media, as shown and described.

DESCRIPTION

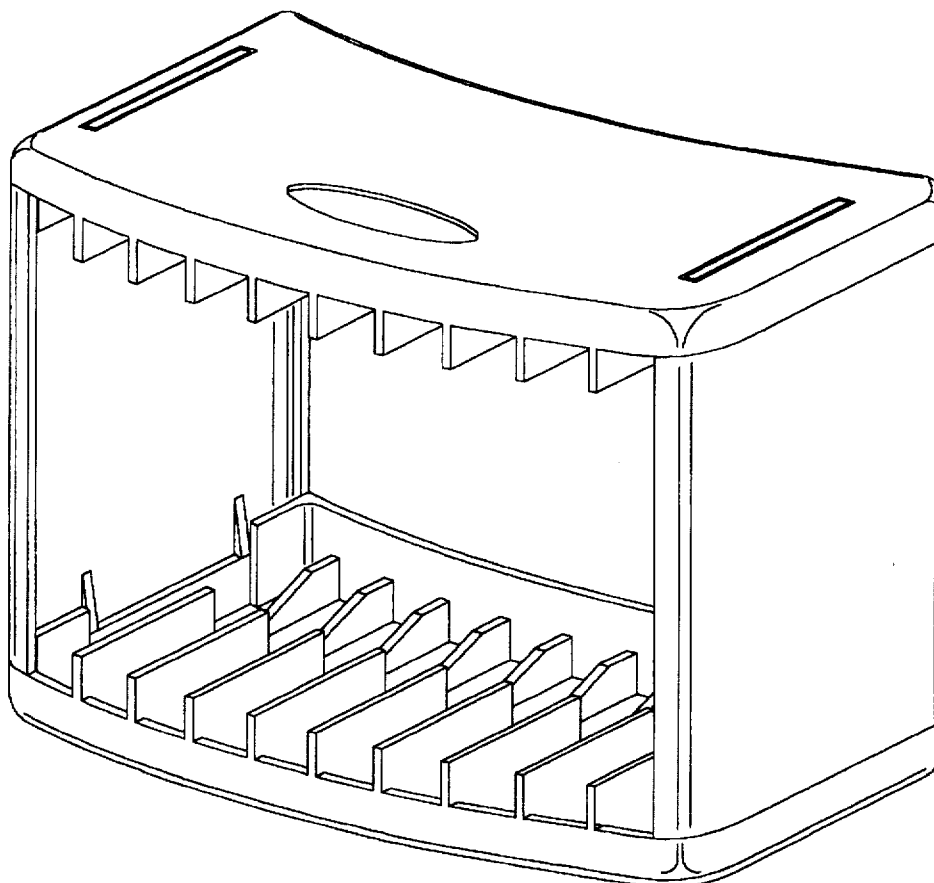
FIG. 1 is a perspective view of a storage rack for electronic data media showing my new design; FIG. 2 is a top plan view thereof, the bottom plan view being a mirror image of the top plan view; FIG. 3 is a front elevation view thereof; FIG. 4 is a back elevation thereof; and, FIG. 5 is a right end elevation view thereof, the left end elevation being a mirror image of the right end elevation.

[56] References Cited

U.S. PATENT DOCUMENTS

D. 283,957	5/1986	Stravitz	D6/407
D. 295,930	5/1988	Drake et al.	D6/407
D. 307,977	5/1990	Egly et al.	D6/407 X

1 Claim, 5 Drawing Sheets



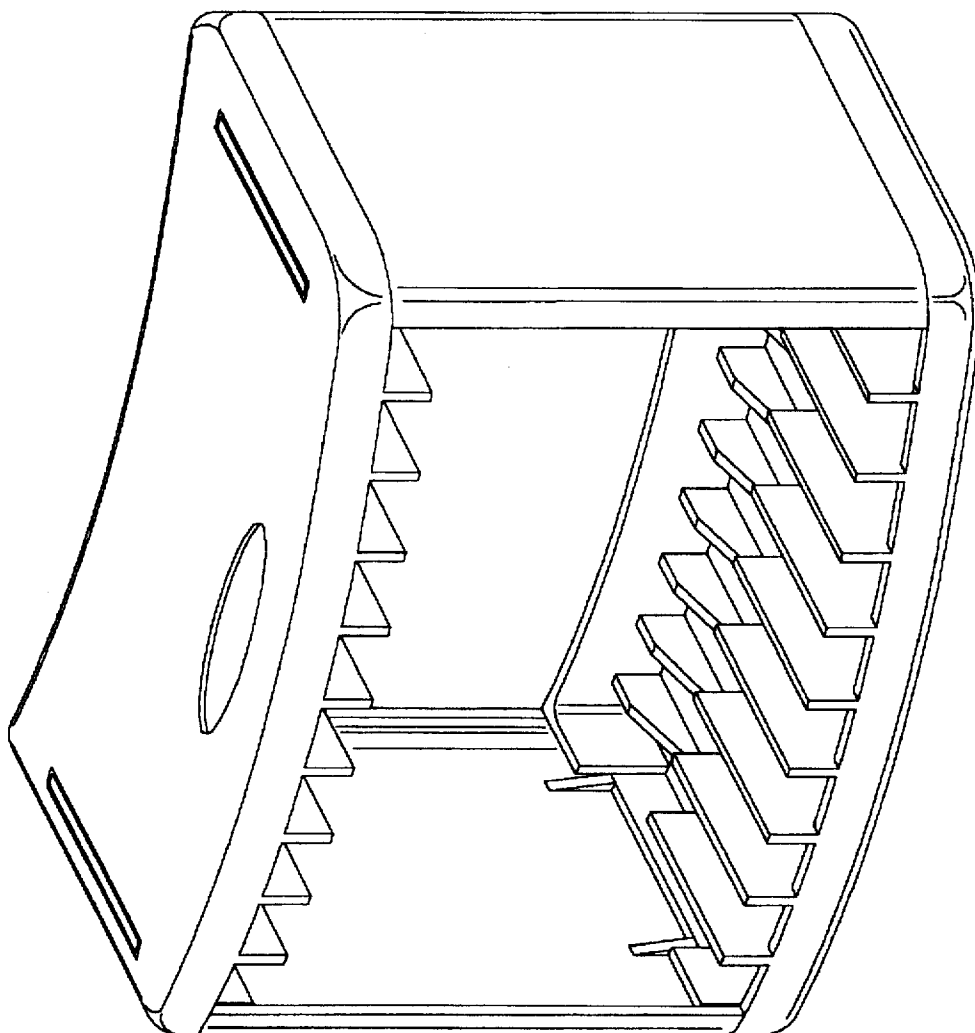


Fig. 1

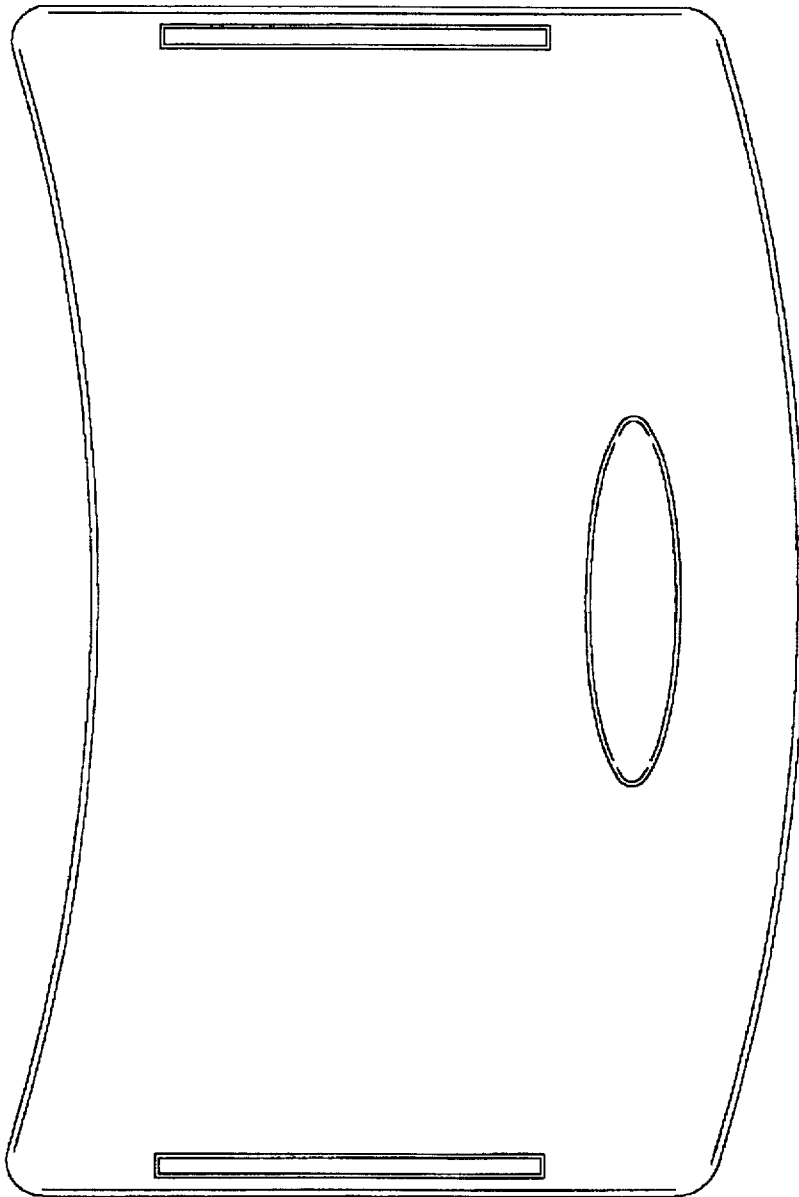


Fig. 2

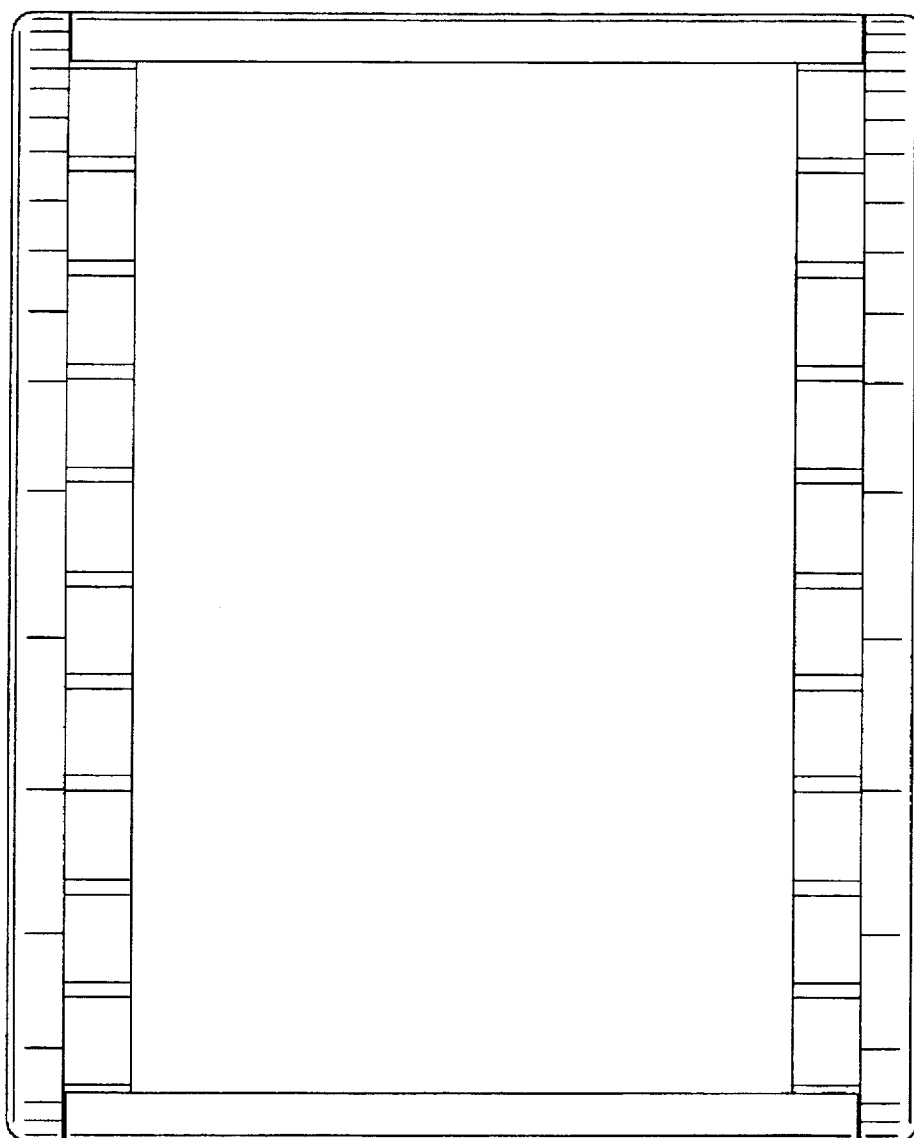


Fig. 3

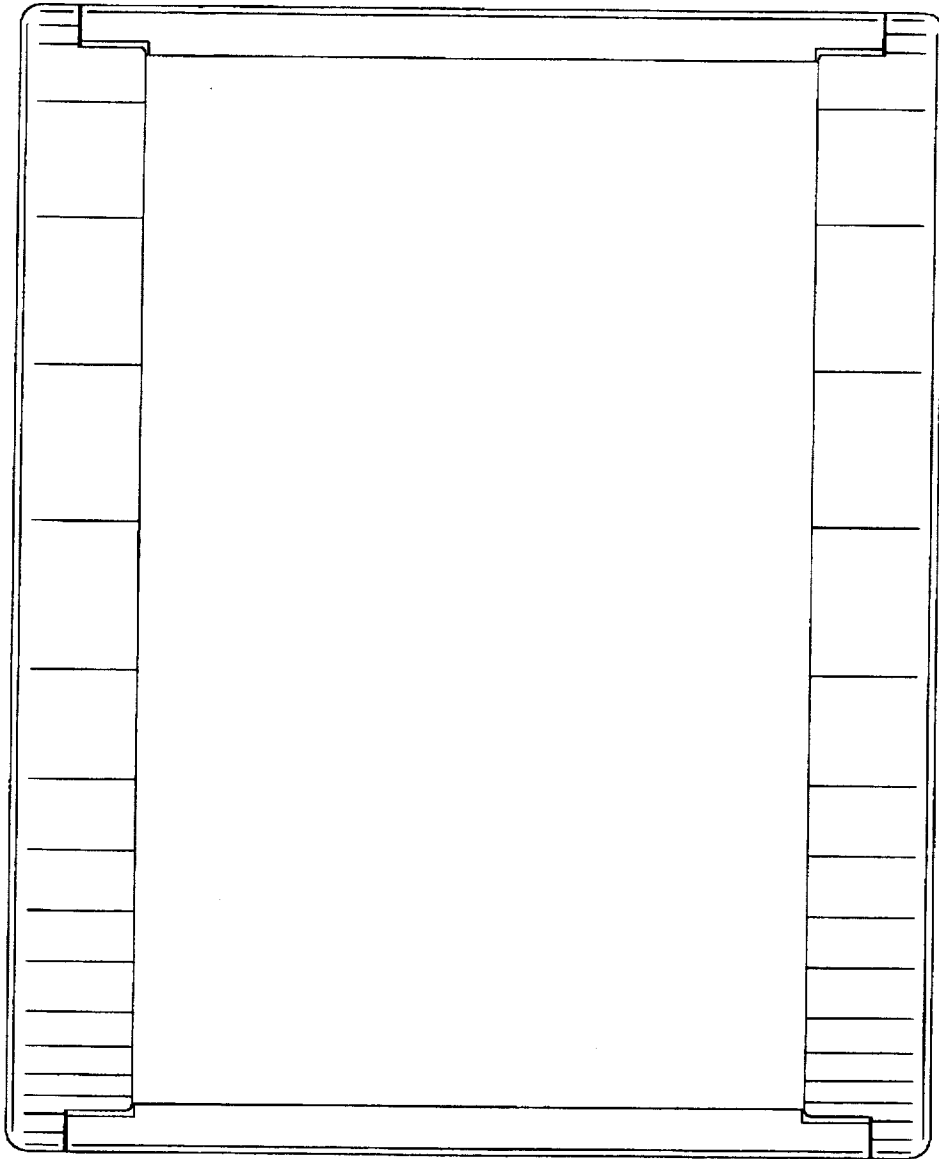


Fig. 4

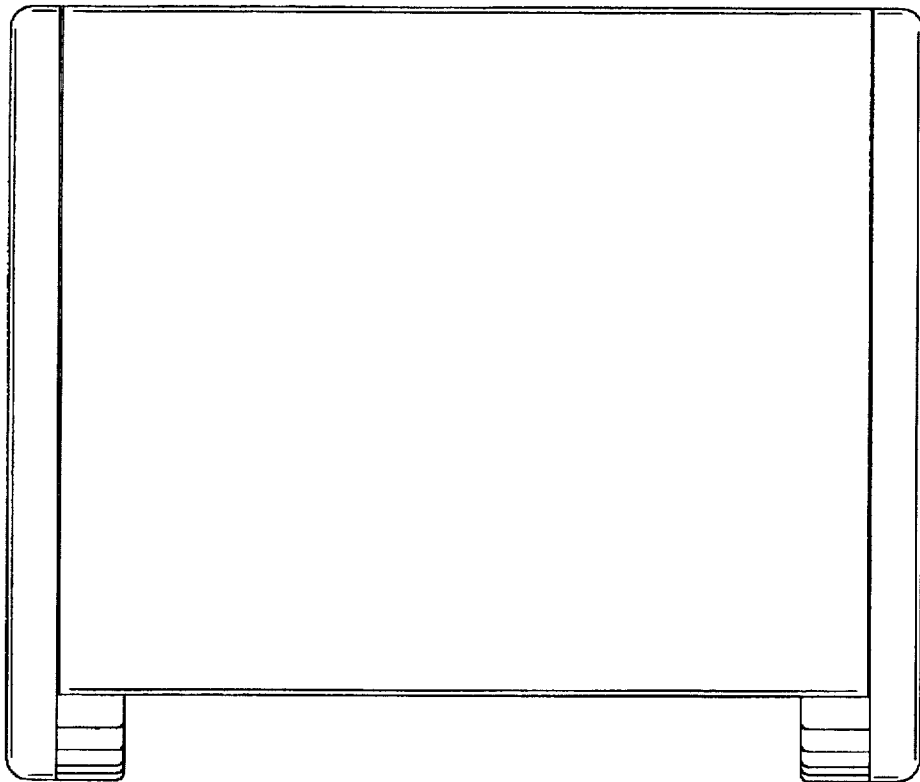


Fig. 5