



(12) **United States Design Patent**
Fuster

(10) **Patent No.:** **US D870,302 S**
(45) **Date of Patent:** **** Dec. 17, 2019**

- (54) **MESSAGE APPLIANCE**
- (71) Applicant: **LPG SYSTEMS**, Valence (FR)
- (72) Inventor: **Arnaud Fuster**, Beaumont-les-Valence (FR)
- (73) Assignee: **LPG Systems**, Valence (FR)
- (**) Term: **15 Years**
- (21) Appl. No.: **29/632,964**
- (22) Filed: **Jan. 11, 2018**

D404,496 S	1/1999	Tudico	
D438,973 S	3/2001	Tudico	
D438,977 S *	3/2001	Khalaj	D24/200
D449,112 S *	10/2001	Tudico	D24/214
D480,810 S	10/2003	Gumisawa	
D509,592 S *	9/2005	Talbot	D24/214
D536,797 S *	2/2007	Klearman	D24/215
D546,471 S *	7/2007	Wu	D24/215
D585,991 S	2/2009	Helgeson	
D586,921 S	2/2009	Zimmer	
D609,342 S	2/2010	Chen	
D618,813 S *	6/2010	Doo	D24/200
D627,080 S	11/2010	Fuster	
7,862,564 B2	1/2011	Goble	
D650,086 S	12/2011	Fuster	
D672,046 S	12/2012	Fuster	
D687,159 S *	7/2013	Cho	D24/215
D693,476 S *	11/2013	Spietz	D24/215
D696,786 S *	12/2013	Bradford	D24/215
D735,868 S	8/2015	Mareguddi	
D745,697 S	12/2015	Fuster	

Related U.S. Application Data

- (62) Division of application No. 35/501,912, filed on Sep. 28, 2016 (U.S. filing date under 35 U.S.C. 384), and having an international filing date of Sep. 28, 2016, now Pat. No. Des. 845,502.

Foreign Application Priority Data

- (30) Apr. 1, 2016 (EM) 3052547-0001
- Apr. 1, 2016 (EM) 3052547-0003
- Apr. 1, 2016 (EM) 3052547-0004

- (51) **LOC (12) CL.** **28-03**
- (52) **U.S. Cl.**
USPC **D24/209**
- (58) **Field of Classification Search**
USPC D24/133, 200, 209, 211, 212, 213, 214,
D24/215, 186, 168, 187, 141
CPC A61H 7/005
See application file for complete search history.

References Cited

U.S. PATENT DOCUMENTS

- D249,893 S * 10/1978 Armbruster D24/211
- D367,712 S * 3/1996 Young D24/215

(Continued)

Primary Examiner — Eliza Z Bennett-Hattan
(74) *Attorney, Agent, or Firm* — Burr & Brown, PLLC

(57) **CLAIM**

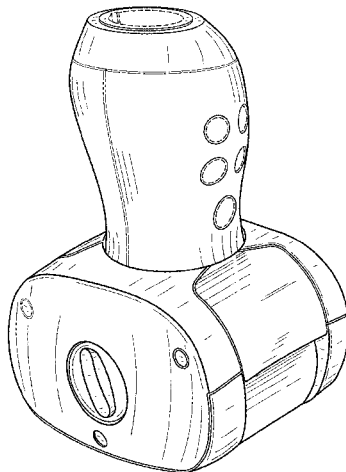
The ornamental design for a massage appliance, as shown and described.

DESCRIPTION

FIG. 1 is a front perspective view of a massage appliance illustrating my new design;
FIG. 2 is a front view thereof;
FIG. 3 is a rear view thereof;
FIG. 4 is a right side view thereof;
FIG. 5 is a left side view thereof;
FIG. 6 is a top view thereof; and,
FIG. 7 is a bottom view thereof.

The broken lines are directed to unclaimed portions of the massage appliance. All broken lines form no part of the claimed design.

1 Claim, 7 Drawing Sheets



(56)

References Cited

U.S. PATENT DOCUMENTS

D752,231 S 3/2016 Halter
2017/0087047 A1 3/2017 Fuster

* cited by examiner

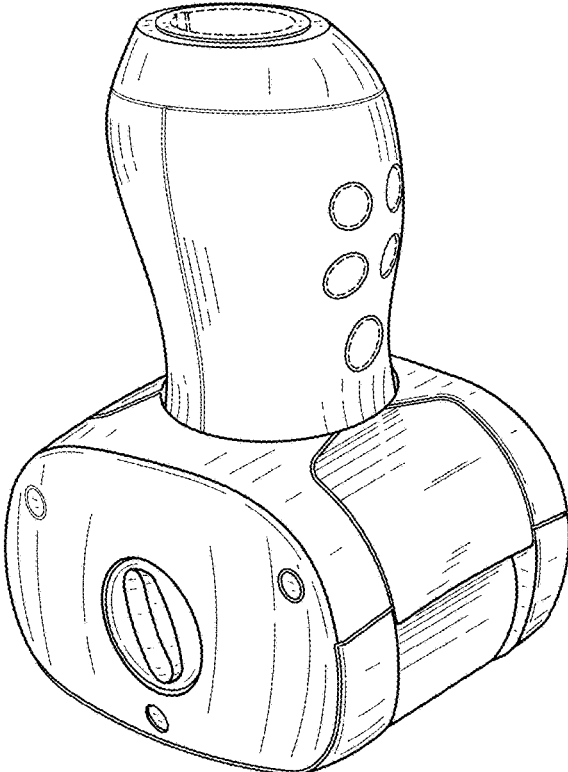


FIG. 1

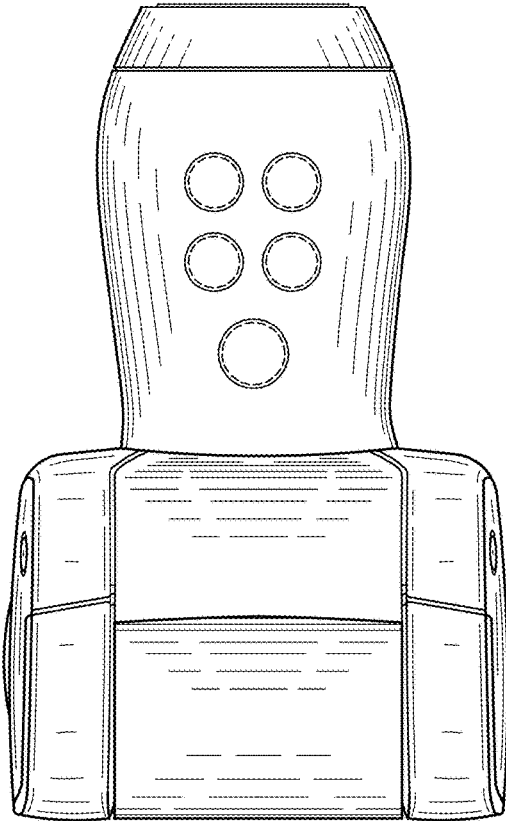


FIG. 2

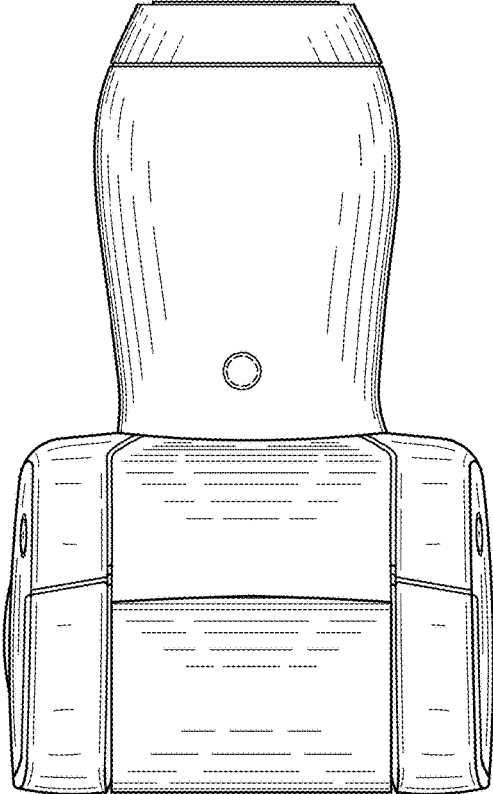


FIG. 3

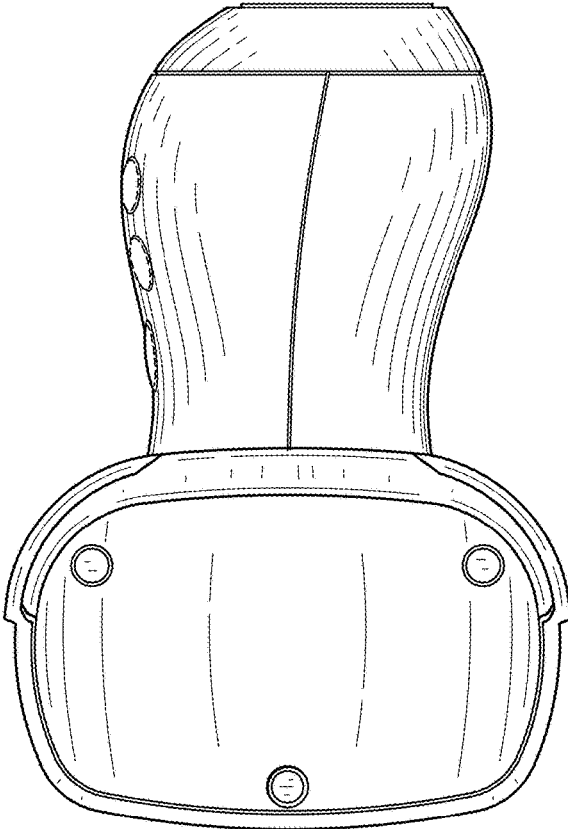


FIG. 4

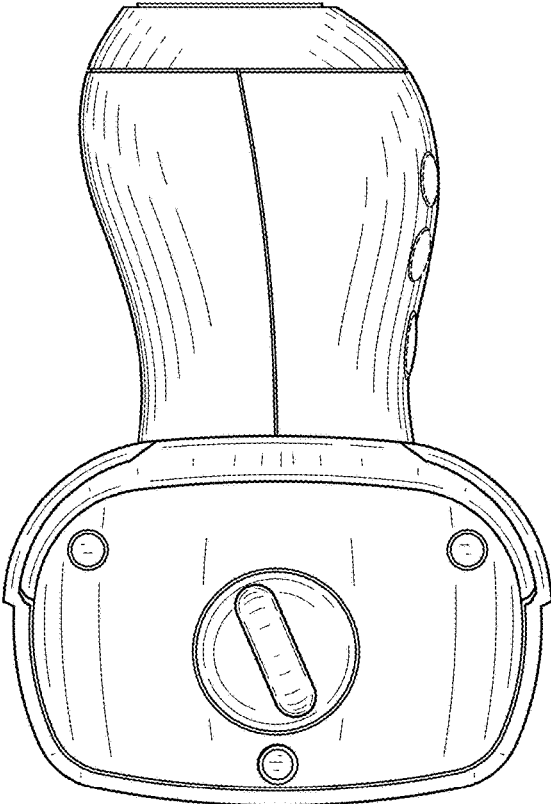


FIG. 5

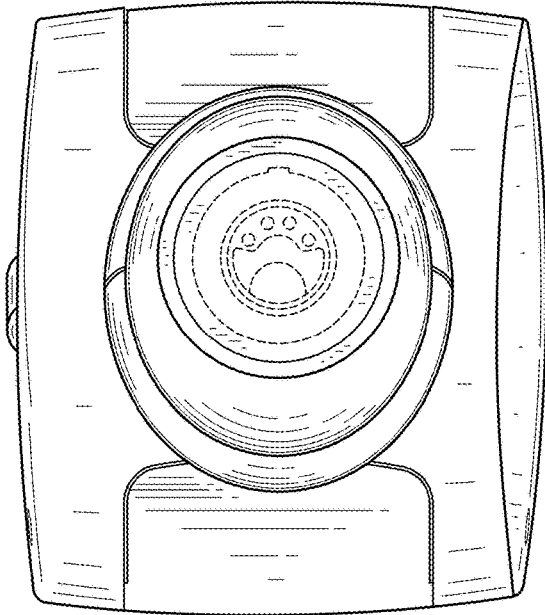


FIG. 6

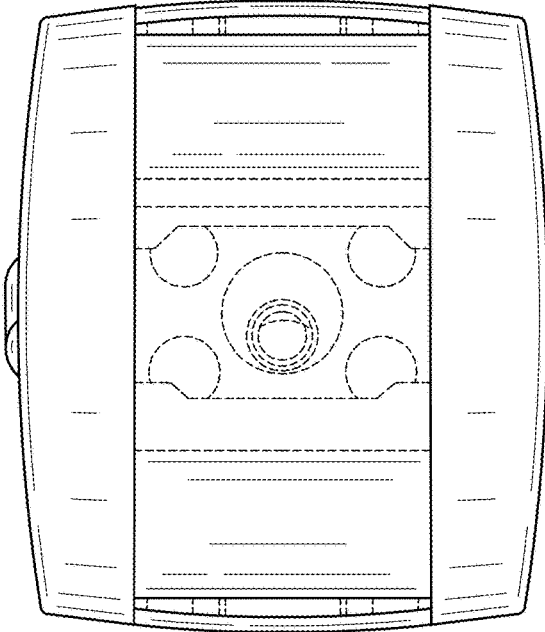


FIG. 7