



US00D949718S

(12) **United States Design Patent**
Arbuckle et al.

(10) **Patent No.:** **US D949,718 S**
(45) **Date of Patent:** **** Apr. 26, 2022**

- (54) **WALL PUNCH**
- (71) Applicants: **William Arbuckle**, Paso Robles, CA (US); **Michael Van Horst**, Fresno, CA (US)
- (72) Inventors: **William Arbuckle**, Paso Robles, CA (US); **Michael Van Horst**, Fresno, CA (US)

7,210,243 B2 5/2007 Schmidt et al.
 8,061,054 B2 11/2011 Rabin
 8,286,363 B1 10/2012 Martinez
 D679,613 S 4/2013 Propp et al.
 8,739,423 B1 6/2014 Cortum et al.
 8,864,095 B1 * 10/2014 Marks A47G 1/16
 248/495
 D737,109 S 8/2015 Gargallo et al.
 9,237,819 B1 * 1/2016 Marks A47G 1/205
 D803,076 S 11/2017 Ulloa et al.
 (Continued)

- (**) Term: **15 Years**
- (21) Appl. No.: **29/679,772**
- (22) Filed: **Feb. 8, 2019**

FOREIGN PATENT DOCUMENTS

CN 2086651 10/1991
 DE 19501383 C3 9/1998

Related U.S. Application Data

- (63) Continuation-in-part of application No. 15/390,312, filed on Dec. 23, 2016, now Pat. No. 10,328,557, which is a continuation-in-part of application No. 29/584,846, filed on Nov. 17, 2016, now Pat. No. Des. 819,465.
- (51) **LOC (13) CL.** **10-04**
- (52) **U.S. CL.**
USPC **D10/65; D8/14**
- (58) **Field of Classification Search**
USPC D8/51-60, 14, 49; D10/65
CPC A47G 1/205
See application file for complete search history.

Hang It Perfect Easy Frame Hanging Tool (2012) <http://www.amazon.com/Perfect-Frame-Hanging-Black-HIP36/dp/B005Z2700Q>.

(Continued)

Primary Examiner — Deanna L Pratt
 (74) *Attorney, Agent, or Firm* — Sierra IP Law, P.C.;
 Mark D. Miller

(57) **CLAIM**

We claim the ornamental design for a wall punch, as shown and described.

(56) **References Cited**

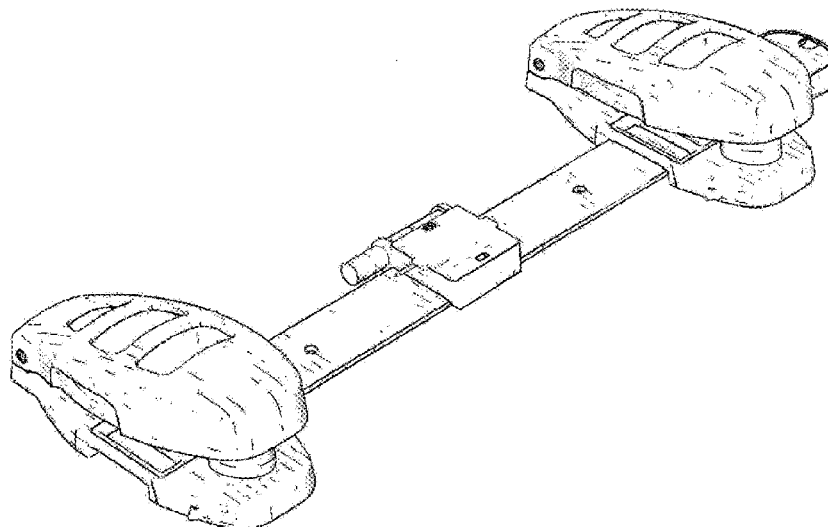
DESCRIPTION

U.S. PATENT DOCUMENTS

5,069,411 A 12/1991 Murphy
 5,103,573 A 4/1992 Ehling et al.
 5,103,574 A 4/1992 Levy
 5,520,318 A 5/1996 Sloop
 6,029,362 A 2/2000 Miodragovic
 6,443,348 B2 9/2002 Lamb
 6,785,977 B1 * 9/2004 Crichton A47G 1/205
 33/613
 6,971,184 B2 12/2005 Prevost
 7,155,840 B1 1/2007 Carbonaro

FIG. 1 is a top perspective view of a wall punch showing our new design;
 FIG. 2 is a bottom plan view thereof;
 FIG. 3 is a top plan view thereof;
 FIG. 4 is a front elevational view thereof;
 FIG. 5 is a rear elevational view thereof;
 FIG. 6 is a left side elevational view thereof; and,
 FIG. 7 is a right side elevational view thereof.

1 Claim, 4 Drawing Sheets



(56)

References Cited

U.S. PATENT DOCUMENTS

D815,549 S * 4/2018 Sullivan D10/62
 D819,465 S * 6/2018 Arbuckle D10/65
 10,004,344 B1 * 6/2018 Williams A47G 1/205
 10,165,875 B2 * 1/2019 Ulloa A47G 1/205
 10,328,557 B2 * 6/2019 Arbuckle B25C 1/02
 D860,014 S * 9/2019 Zhan D10/71
 D895,455 S * 9/2020 Hammond D10/69
 D908,516 S * 1/2021 Ursell D10/65
 11,064,823 B2 * 7/2021 Ulloa A47G 1/205
 11,141,846 B2 * 10/2021 Arbuckle A47G 1/205
 D938,244 S * 12/2021 Zhan D8/14
 2002/0095812 A1 7/2002 Newman
 2005/0087668 A1 4/2005 Cismoski et al.
 2006/0134375 A1 6/2006 Peterson
 2006/0174504 A1 8/2006 Szmer et al.
 2013/0333233 A1 12/2013 Esposito
 2017/0259418 A1 * 9/2017 Arbuckle A47G 1/205
 2017/0303709 A1 * 10/2017 Ulloa G01C 9/02
 2020/0345158 A1 * 11/2020 Hammond G01C 9/28

OTHER PUBLICATIONS

Hang It Perfect (2016) <https://hangitperfect.com/HIP%20Frame%20Grouping%20Instructions%20Vertical%20and%20Horizontal.pdf>.
 InstaHang (2016) <http://www.directionsforme.org/item/870700>.
 English Abstract of DE19501383 retrieved on Jun. 9, 2015 from: “https://worldwide.espacenet.com/publicationDetails/biblio?II=0&ND=3&adjacent=true&locale=en_EP&FT=D&date=19960411&CC=DE&NR=19501383A1&KC=A1”.
 English Abstract of CN2086651 retrieved on Feb. 12, 2019 from: “https://worldwide.espacenet.com/publicationDetails/biblio?II=0&ND=3&adjacent=true&locale=en_EP&FT=D&date=19911016&CC=CN&NR=2086651U&KC=U”.
 Hang-O-Matic (2019) Product description retrieved on Feb. 9, 2019 from “<https://www.hangomatic.com/product/hangomatic/>”.
 Instahang (2012) <https://www.instahang.com/>.
 Moonshine Framing (2016) https://www.pinterest.com/pin/AU5dQZs-Eq2kmlkSXPPi2MC7E-rG35LisnrHIR2K3fwho_Sql0N_Bw/.
 InstaHang (2016) <http://thumbs4.ebaystatic.com/d/1225/m/mEXI5XHond2VuDwplpaCjQ.jpg>.

* cited by examiner

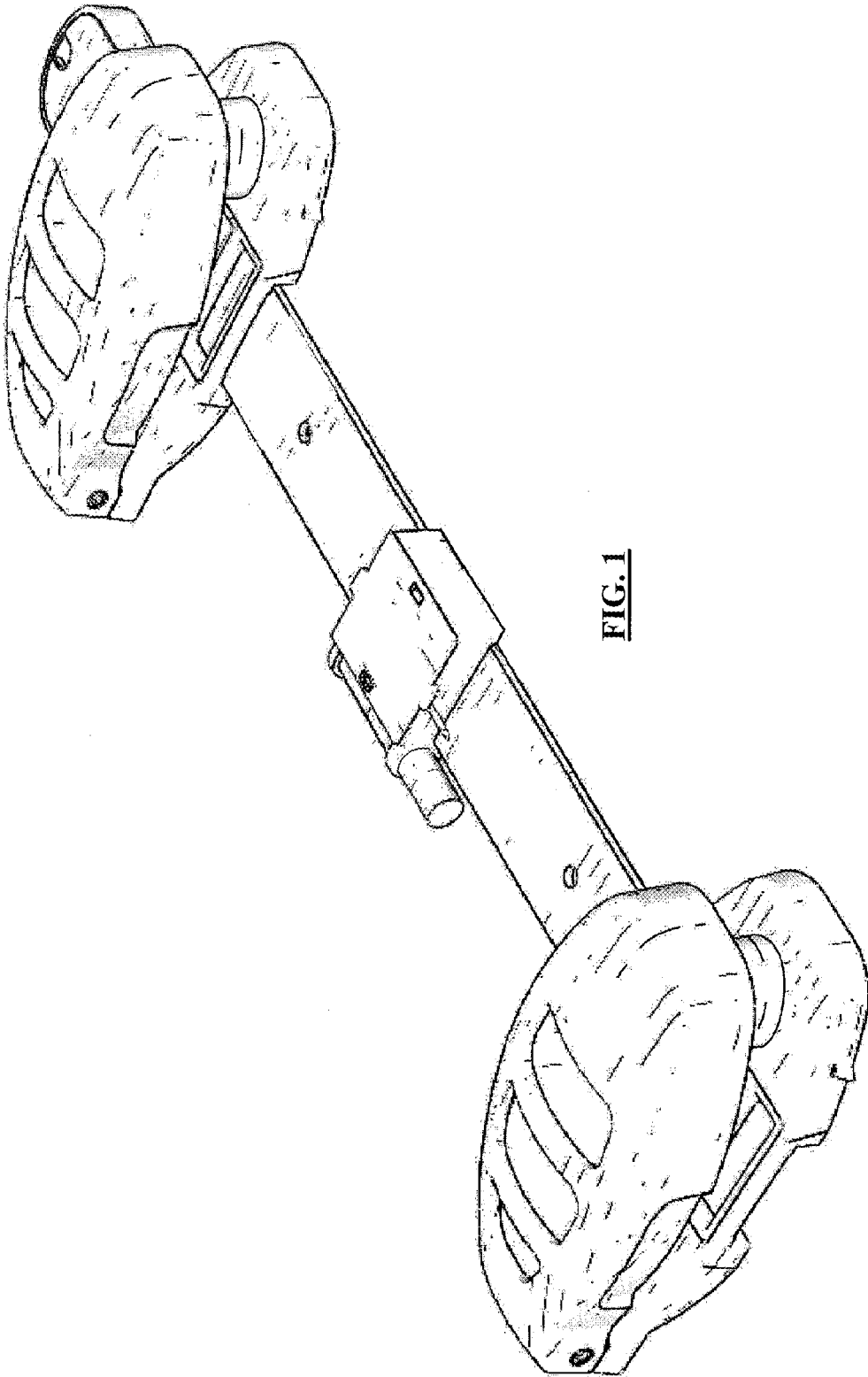


FIG. 1

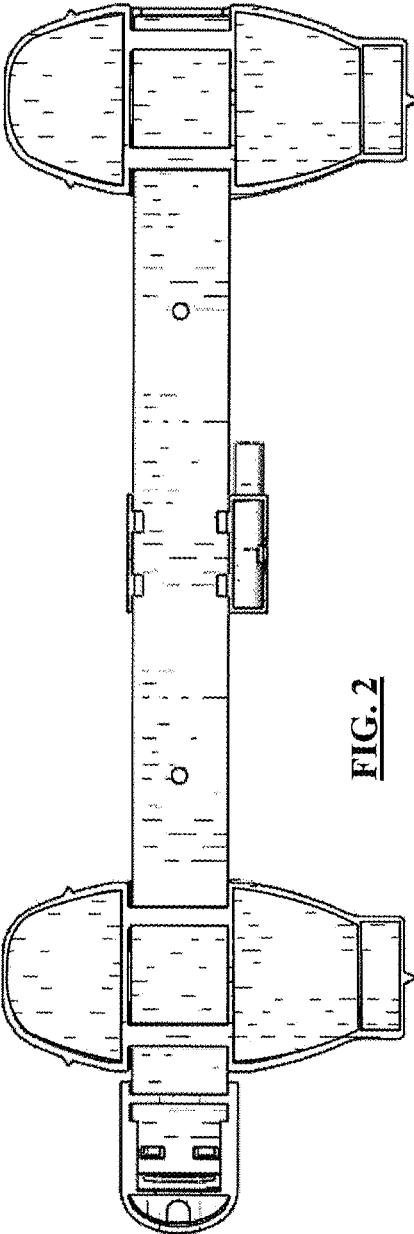


FIG. 2

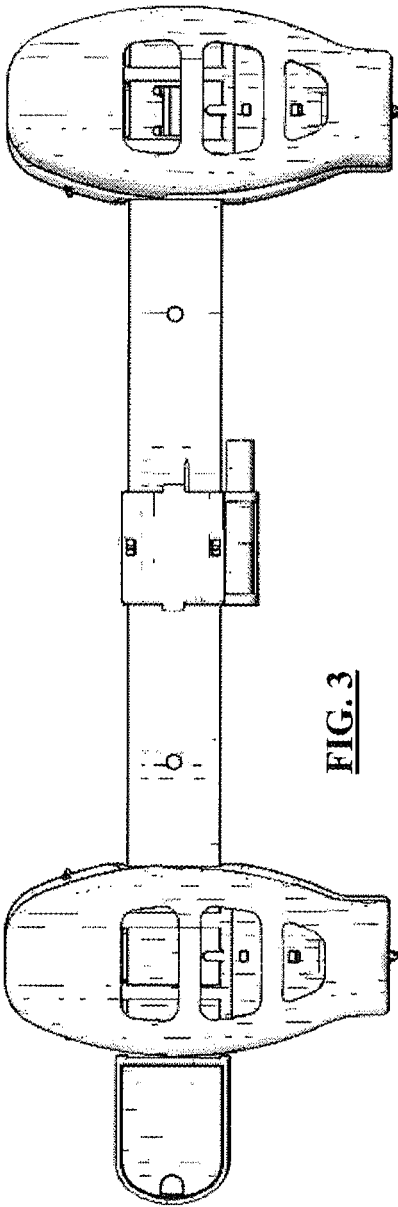


FIG. 3

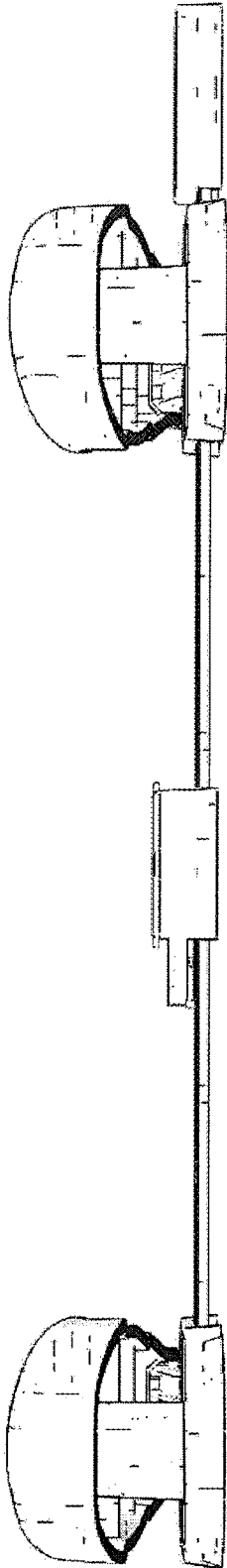


FIG. 4

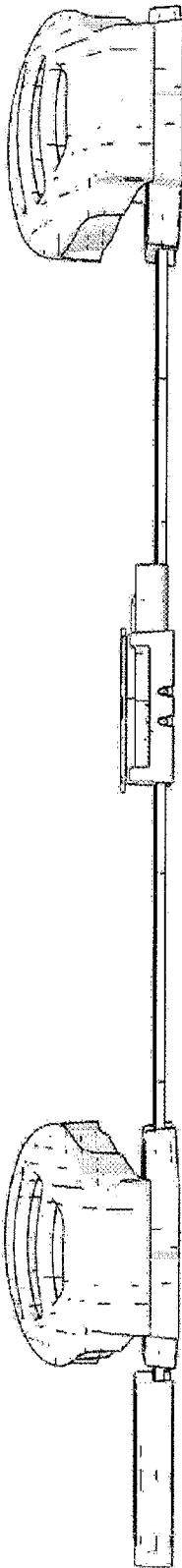


FIG. 5

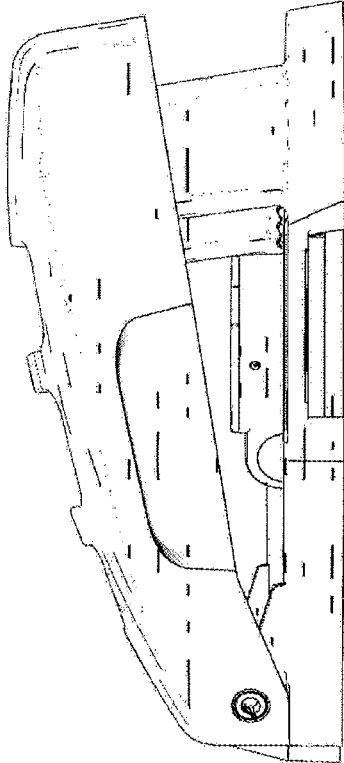


FIG. 6

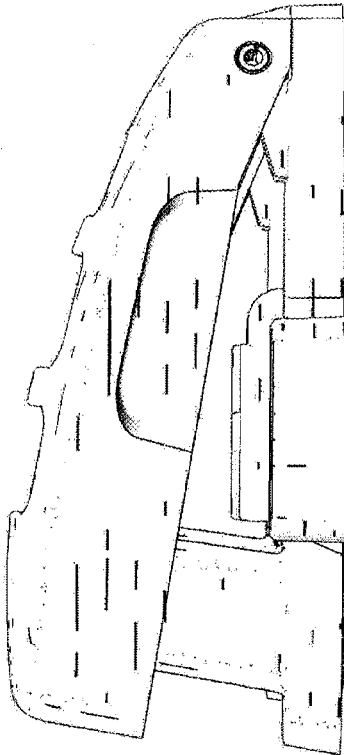


FIG. 7