



US00D666764S

(12) **United States Design Patent**
Gilad

(10) **Patent No.:** **US D666,764 S**

(45) **Date of Patent:** **** Sep. 4, 2012**

(54) **WALL LAMP**

(75) Inventor: **Ron Gilad**, Brescia (IT)

(73) Assignee: **Flos, S.p.A.**, Brescia (IT)

(**) Term: **14 Years**

(21) Appl. No.: **29/402,755**

(22) Filed: **Sep. 27, 2011**

(30) **Foreign Application Priority Data**

Mar. 29, 2011 (IT) BS201100011

(51) **LOC (9) Cl.** **26-03**

(52) **U.S. Cl.** **D26/87; D26/79**

(58) **Field of Classification Search** D26/79,
D26/80, 85, 86, 87, 89, 92, 128, 138, 141,
D26/155; 362/147, 404-408, 431, 432
See application file for complete search history.

(56) **References Cited**

U.S. PATENT DOCUMENTS

D152,889 S *	3/1949	Kuhler	D26/85
2,503,931 A *	4/1950	Young	362/216
D197,206 S *	12/1963	Hammer	D20/29
D231,679 S *	5/1974	Keller	D26/87
D239,858 S *	5/1976	Scarpa	D26/87
D288,136 S *	2/1987	Pfister	D26/87
D309,955 S *	8/1990	Gismondi	D26/87
D402,389 S *	12/1998	Norman et al.	D26/87

D487,528 S *	3/2004	Christensen et al.	D26/79
D580,580 S *	11/2008	Lodhie	D26/67
D637,337 S *	5/2011	Sole'	D26/85
D642,727 S *	8/2011	van den Akker	D26/85
D646,423 S *	10/2011	Chiu	D26/85

* cited by examiner

Primary Examiner — Clare E Heflin

(74) *Attorney, Agent, or Firm* — Harness, Dickey & Pierce, PLC

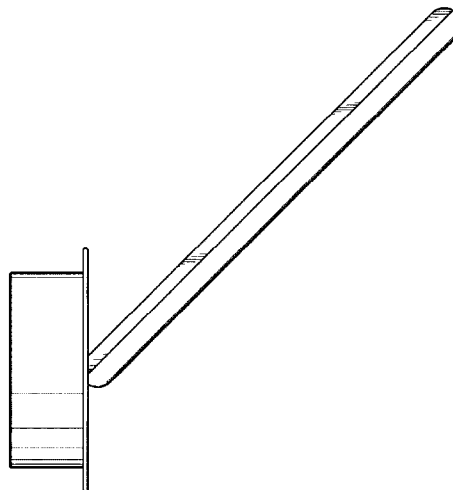
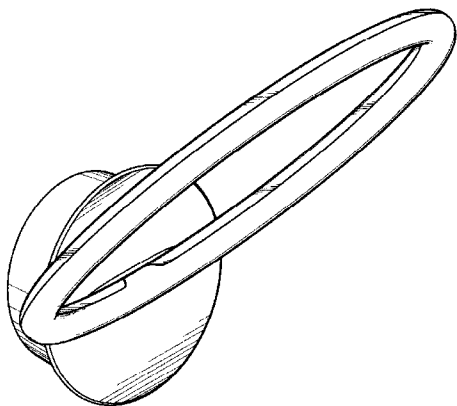
(57) **CLAIM**

The ornamental design for a wall lamp, as shown and described.

DESCRIPTION

FIG. 1 is a side perspective view of the new design for a wall lamp;
 FIG. 2 is a left side elevational view of the wall lamp shown in FIG. 1;
 FIG. 3 is a right side elevational view of the wall lamp shown in FIG. 1;
 FIG. 4 is a front elevational view of the wall lamp shown in FIG. 1;
 FIG. 5 is a rear elevational view of the wall lamp shown in FIG. 1;
 FIG. 6 is a top plan view of the wall lamp shown in FIG. 1; and,
 FIG. 7 is a bottom plan view of the wall lamp shown in FIG. 1.

1 Claim, 7 Drawing Sheets



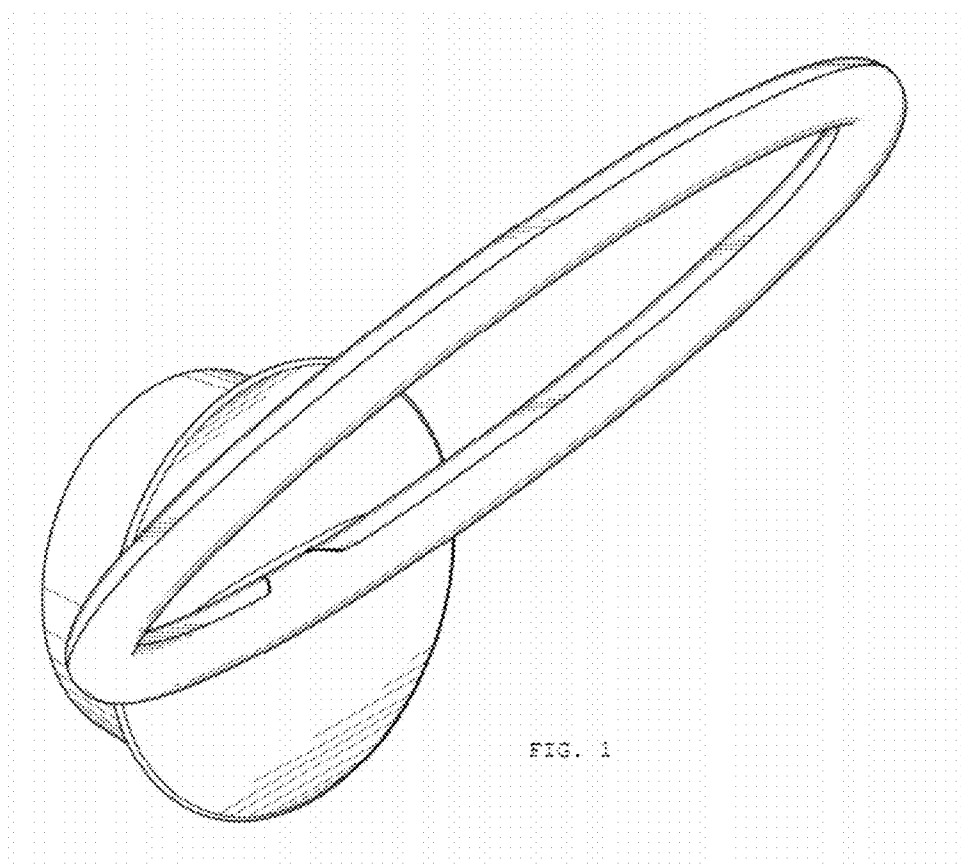


FIG. 1

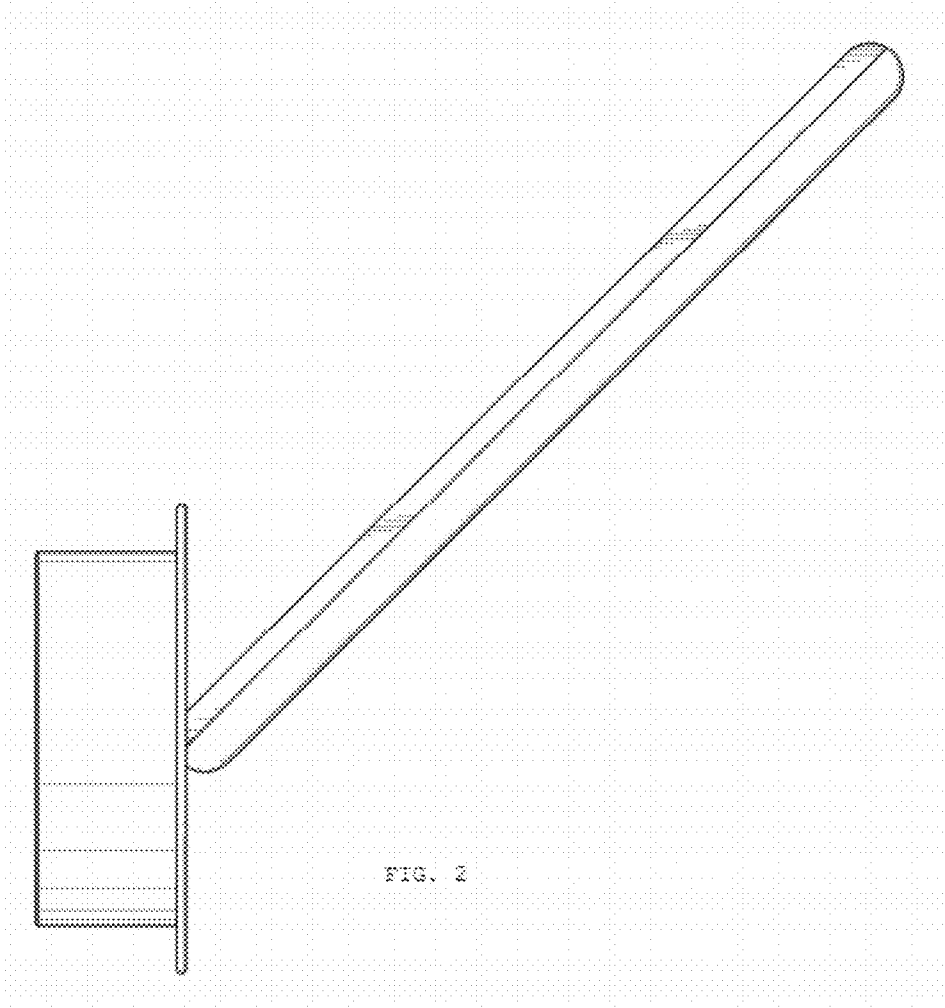


FIG. 2

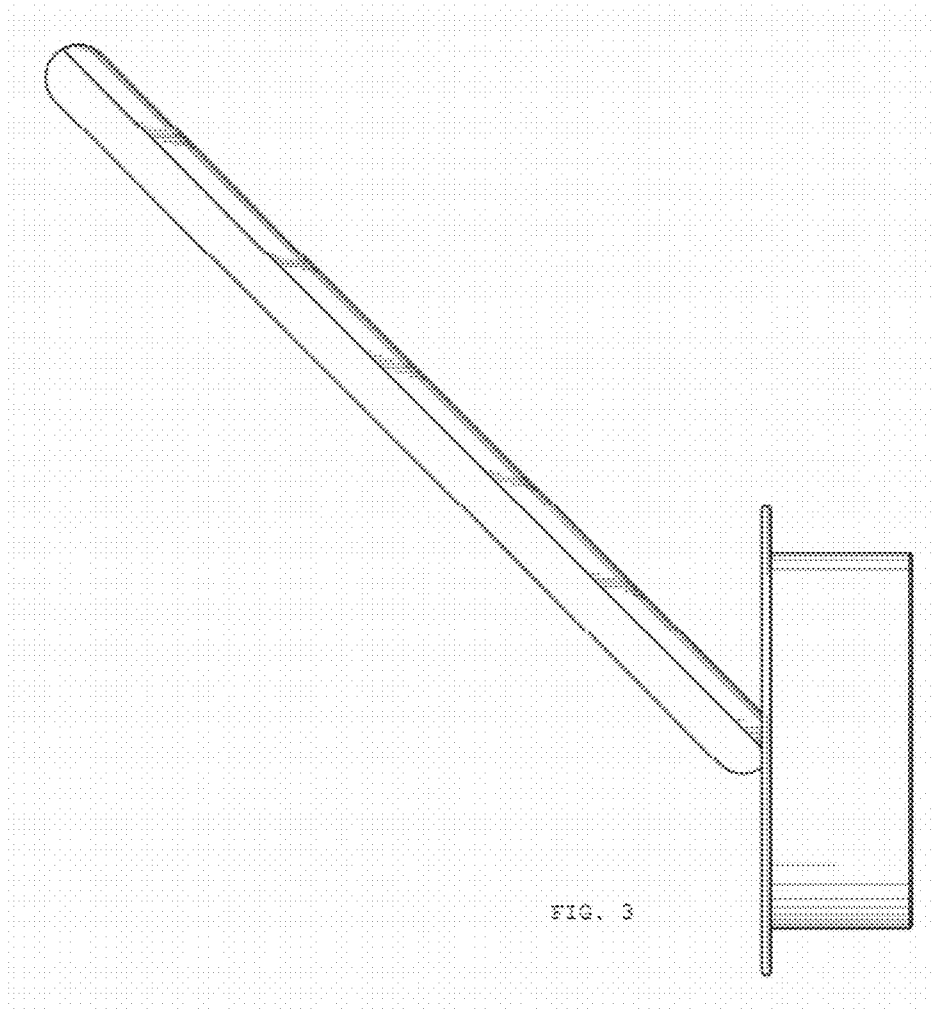


FIG. 3

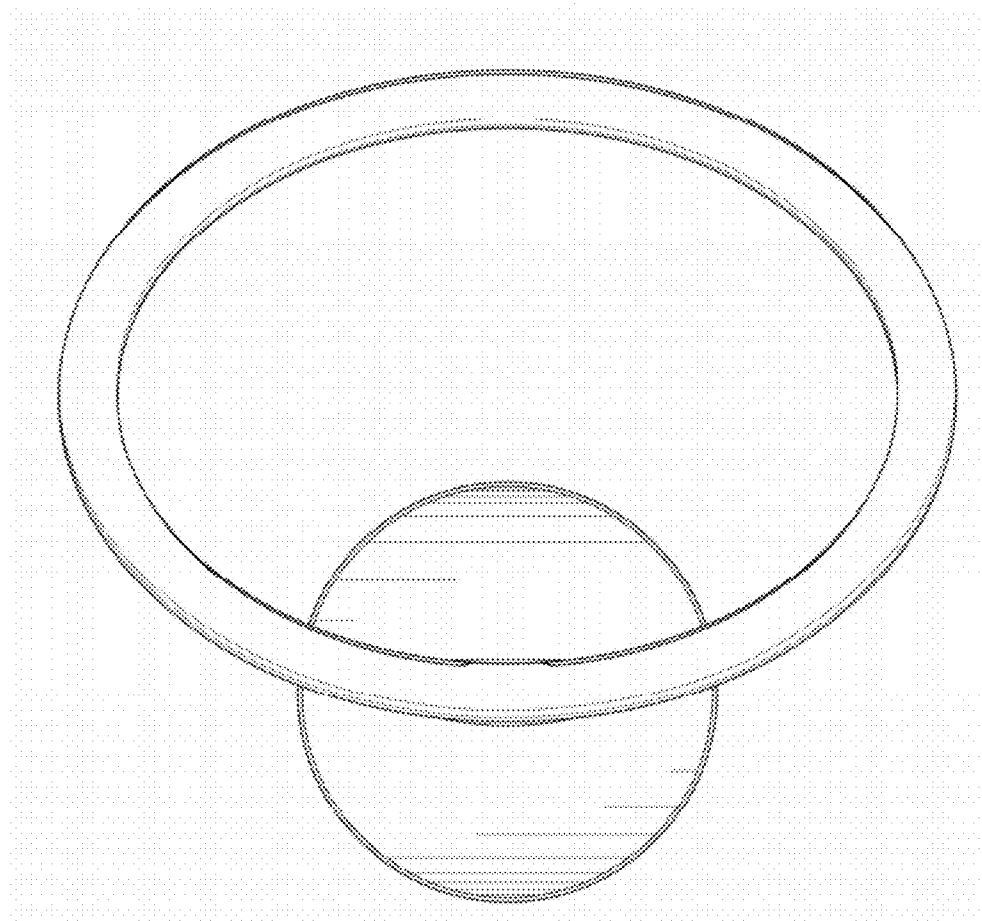


FIG. 4

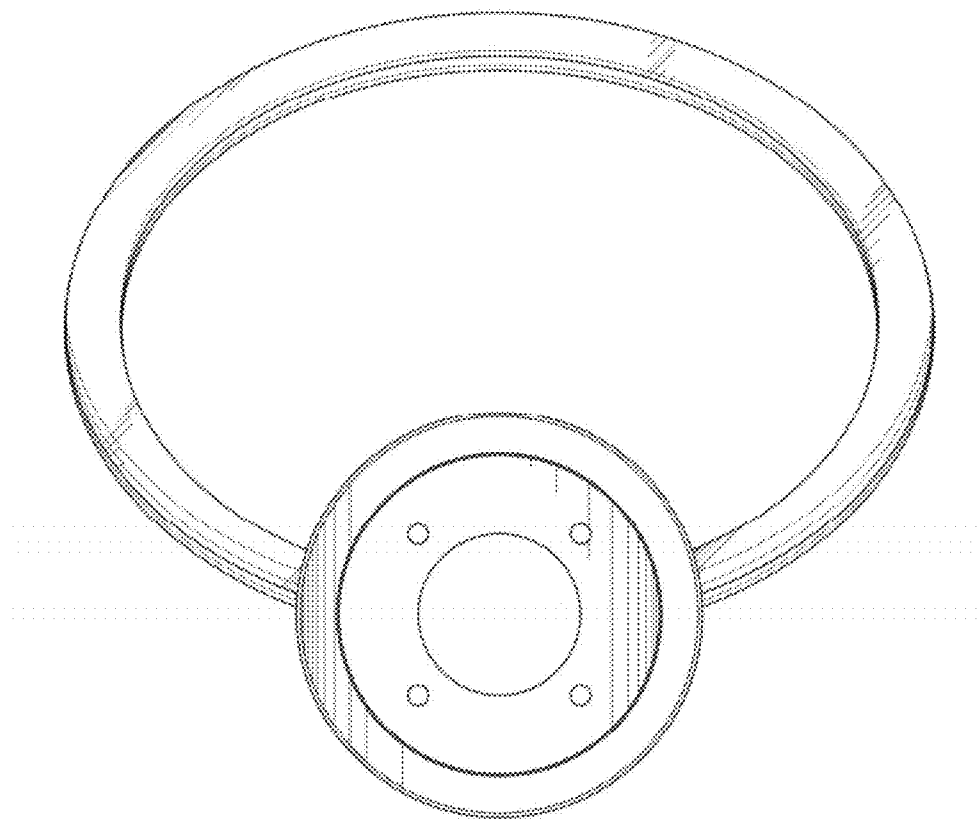


FIG. 5

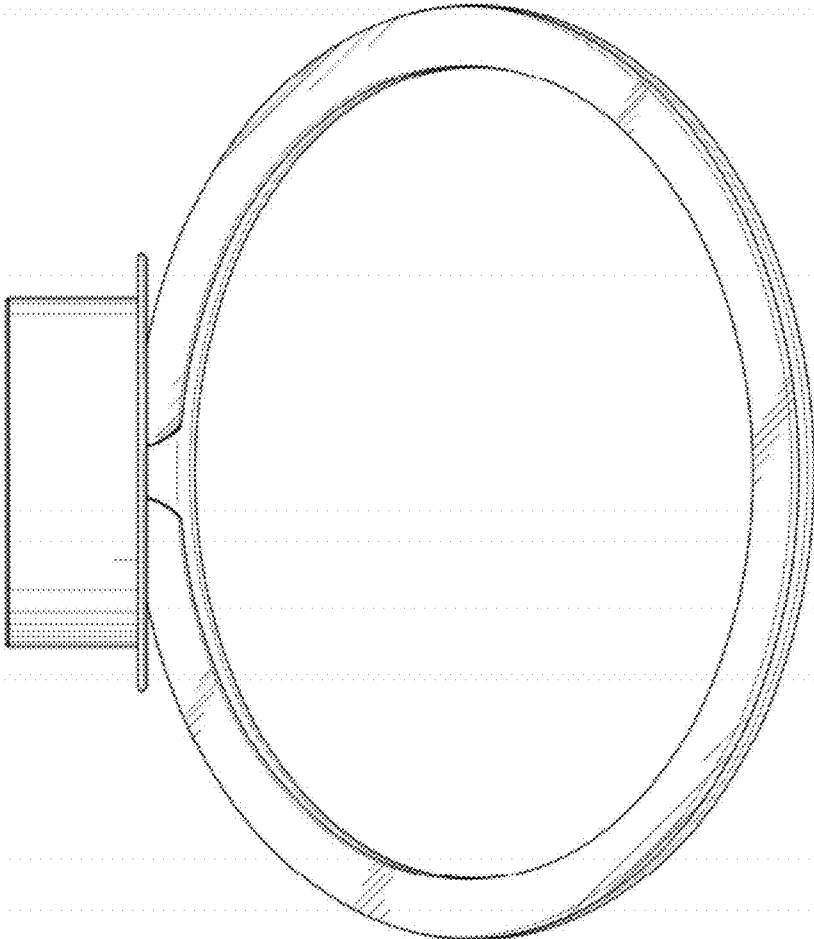


FIG. 6

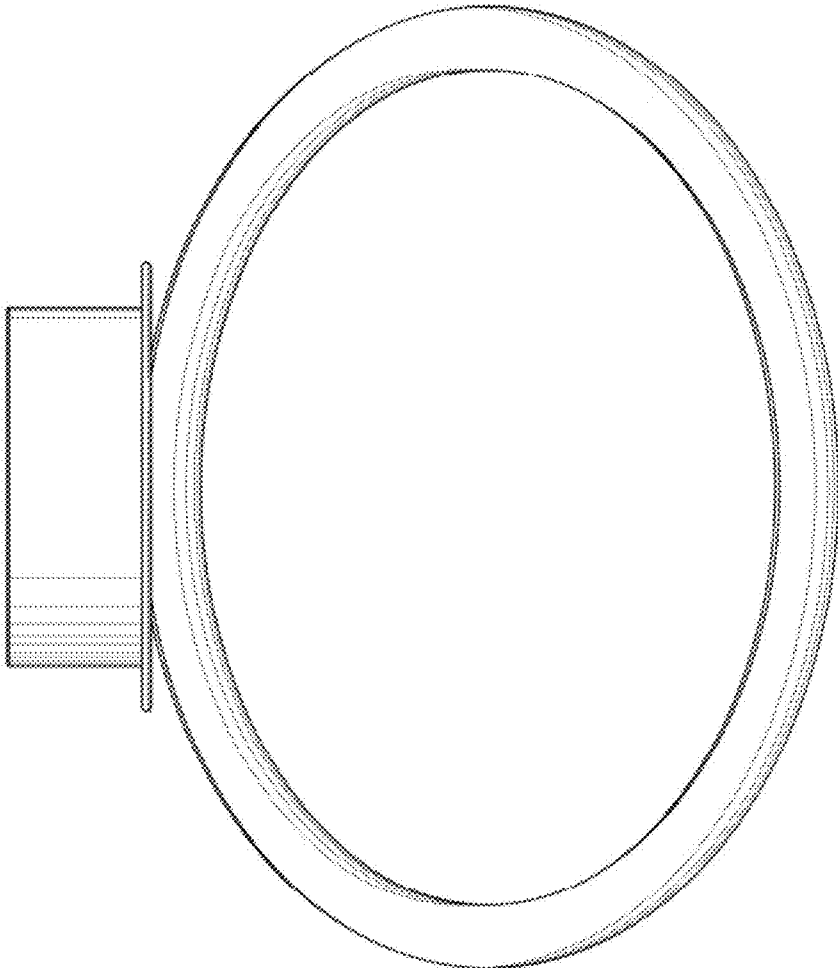


FIG. 7