



US00D872385S

(12) **United States Design Patent**  
**Soto**

(10) **Patent No.:** **US D872,385 S**

(45) **Date of Patent:** **\*\* Jan. 7, 2020**

(54) **ANIMAL CHEW TOY**

(71) Applicant: **THE HARTZ MOUNTAIN CORPORATION**, Secaucus, NJ (US)

(72) Inventor: **Johann Soto**, Rutherford, NJ (US)

(73) Assignee: **THE HARTZ MOUNTAIN CORPORATION**, Secaucus, NJ (US)

(\*\*) Term: **15 Years**

(21) Appl. No.: **29/638,822**

(22) Filed: **Mar. 1, 2018**

(51) **LOC (12) Cl.** ..... **30-99**

(52) **U.S. Cl.**

USPC ..... **D30/160**

(58) **Field of Classification Search**

USPC ..... D21/398, 400, 402, 415, 426, 436, 439, D21/440, 441, 443, 455, 460-462, D21/466-468, 479, 495, 563, 656, 712, D21/713, 788, 799.1, 470, 681, 386, 484, D21/707, 408, 437, 673, 678, 679, 682; D24/211, 212, 214, 215, 193-195; D30/160, 112, 119; D1/120, 125-127  
CPC ..... A63H 5/00; A63H 33/26; A63H 33/18; A63H 29/22; A63H 29/24; A63H 2200/00; A63H 11/00; A63H 13/00; A63H 18/02; A63H 18/14; A63H 18/16; A63H 29/00; A63H 33/009; A63H 33/22; A63H 33/3055; A63H 3/003; A63H 3/006; A63H 3/008; A63H 3/24; A63H 3/28; A63H 3/31; A63H 3/36; A63H 9/00; A63B 59/20; A63B 69/406; A63B 47/04; A63B 2220/51; A63B 2220/53; A63B 2220/56; A63B 2220/805; A63B 2071/0625; A63B 2071/063; A63B 2220/17; A63B 2220/18; A63B 2220/40; A63B 2220/803; A63B 2220/833; A63B 43/004; A63B 43/06; A63B 71/0622; A63B 2071/0602; A63B 21/0055; A63B 2207/02;

(Continued)

(56) **References Cited**

**U.S. PATENT DOCUMENTS**

D394,414 S \* 5/1998 Catalano ..... D1/199  
6,116,191 A 9/2000 Suchowski

(Continued)

**FOREIGN PATENT DOCUMENTS**

CN 104642185 5/2015  
CN 104642188 5/2015  
GB 2413503 8/2008

**OTHER PUBLICATIONS**

“Decorative Best Dog Chew Toys That Last”; Amazing Toys Reference Ideas; Cool Toys Reference Pictures; chewy.com; Trenton I. Young; Sep. 17, 2016; <http://www.luxrystore.com/decorative-best-dog-chew-toys-that-last/>.

(Continued)

*Primary Examiner* — Sheryl Lane

*Assistant Examiner* — Aula Soroush

(74) *Attorney, Agent, or Firm* — Gottlieb, Rackman & Reisman, P.C.

(57) **CLAIM**

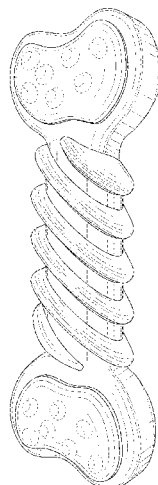
The ornamental design for an animal chew toy, as shown and described.

**DESCRIPTION**

FIG. 1 is a perspective view showing my new design; FIG. 2 is a front elevational view thereof; FIG. 3 is a rear elevational view thereof; FIG. 4 is a left side elevational view thereof; FIG. 5 is a right side elevational view thereof; FIG. 6 is a top plan view thereof; and, FIG. 7 is a bottom plan view thereof.

The broken lines shown in the drawings are included for the purpose of illustrating portions of the animal chew toy that form no part of the claimed design.

**1 Claim, 6 Drawing Sheets**



(58) **Field of Classification Search**

CPC ..... A63B 2225/54; A63B 69/0053; A63B  
2047/043

See application file for complete search history.

(56) **References Cited**

U.S. PATENT DOCUMENTS

D450,894 S 11/2001 Suchowski  
D453,242 S \* 1/2002 Kaplan ..... A01K 15/026  
D30/160  
D496,141 S \* 9/2004 Tepper ..... D1/106  
D496,518 S \* 9/2004 Tepper ..... D1/106  
D496,773 S \* 10/2004 Tepper ..... D1/199  
D497,457 S 10/2004 Willinger  
D534,694 S \* 1/2007 Pozzoni ..... D30/160  
D576,358 S \* 9/2008 Rutherford ..... D30/160  
D578,726 S \* 10/2008 Edwards ..... D1/109  
D586,976 S \* 2/2009 Lundwall ..... D1/109  
D636,948 S 4/2011 Axelrod et al.  
D658,348 S 5/2012 McCleary  
D694,964 S 12/2013 Axelrod  
8,916,179 B2 12/2014 Axelrod  
D747,067 S \* 1/2016 Axelrod ..... D1/106  
D747,832 S 1/2016 Setser  
D755,450 S 5/2016 Setser  
9,363,981 B2 6/2016 Axelrod

D762,042 S 7/2016 Osenga  
D796,125 S 8/2017 Gibson  
D803,512 S 11/2017 Falcone  
D805,207 S 12/2017 Ruffin  
9,839,199 B2 12/2017 Dewey  
D821,695 S \* 7/2018 Spivak ..... D1/199  
D838,418 S \* 1/2019 Zelinger ..... D30/160  
2006/0102099 A1 \* 5/2006 Edwards ..... A01K 15/026  
119/710  
2010/0224138 A1 \* 9/2010 Axelrod ..... A01K 15/026  
119/710  
2011/0011351 A1 1/2011 Simoni  
2015/0090192 A1 4/2015 Powers

OTHER PUBLICATIONS

“Nylabone Puppy Starter Packs Puppy Chew Toys”; <https://www.amazon.com/Nylabone-Puppy-Treat-Starter-Girls/dp/B06XCNCCGK>; Amazon.com : Nylabone Puppy Chew Toy & Treat Puppy Starter Set, Pink Puppy Chew Toys for Girls : Pet Supplies; Amazon.  
“Nylabone Hedgehog Bristle Brush Dental Chew Toy”; Nylabone Nylabone Hedgehog Bristle Brush Dental Chew Toy Dog Chew Toys; <https://www.petmountain.com/product/dog-chew-toys/11442-609154/nylabone-hedgehog-bristle-brush-dental-chew-toy.html>.

\* cited by examiner

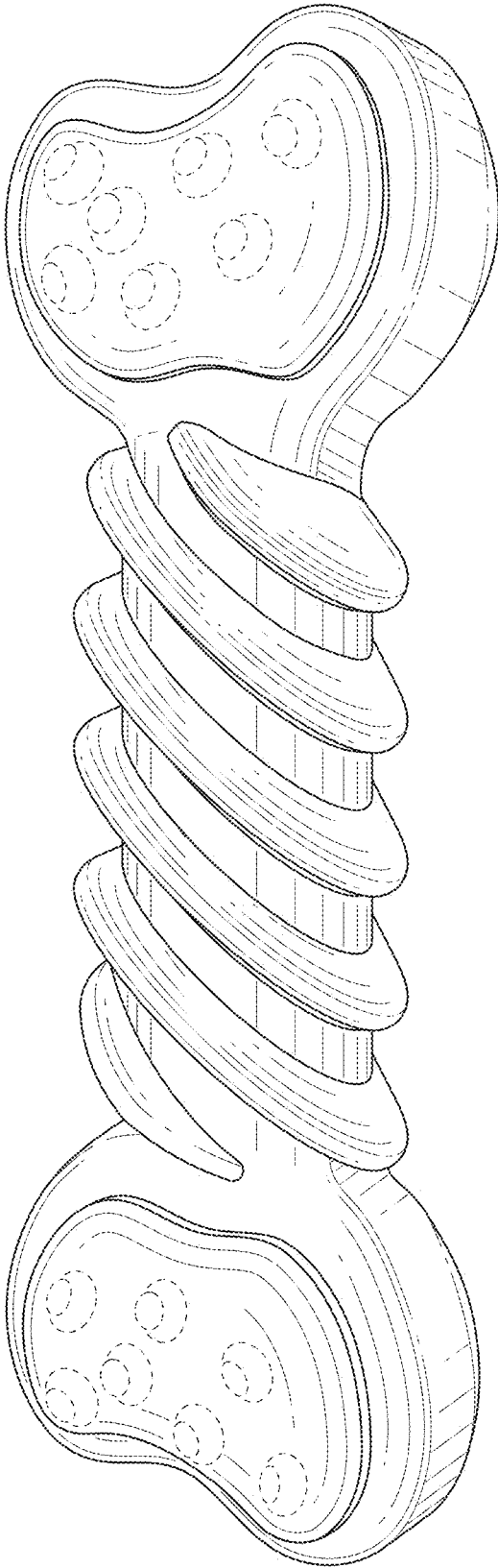


FIG. 1

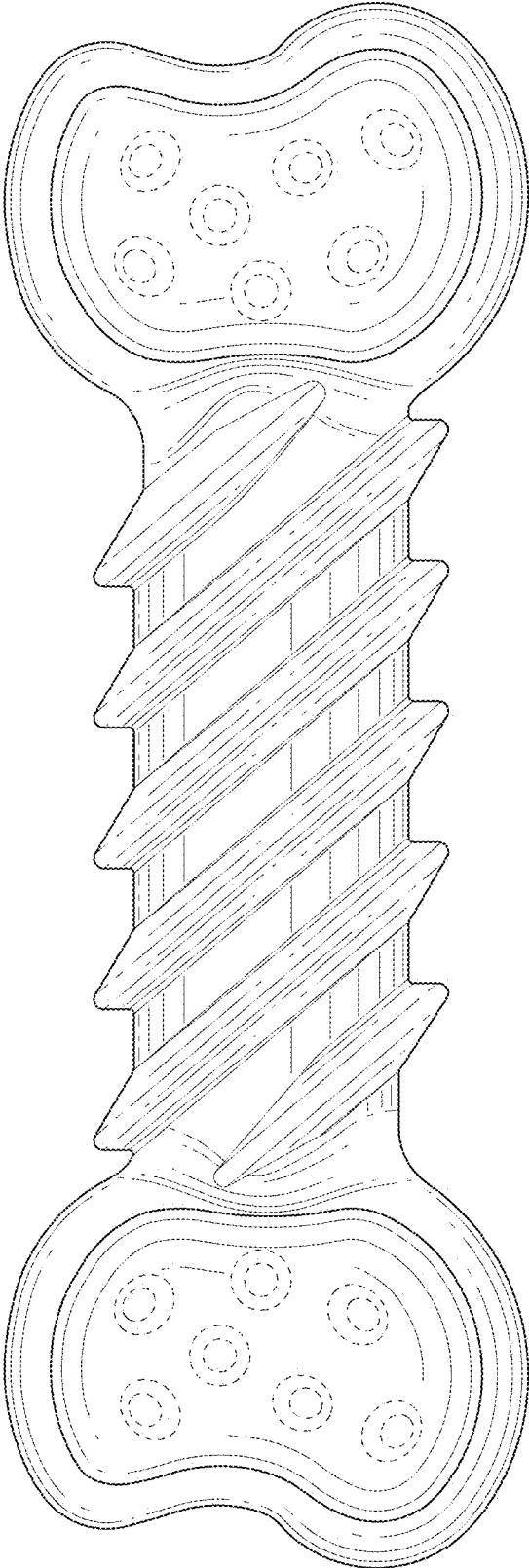


FIG.2

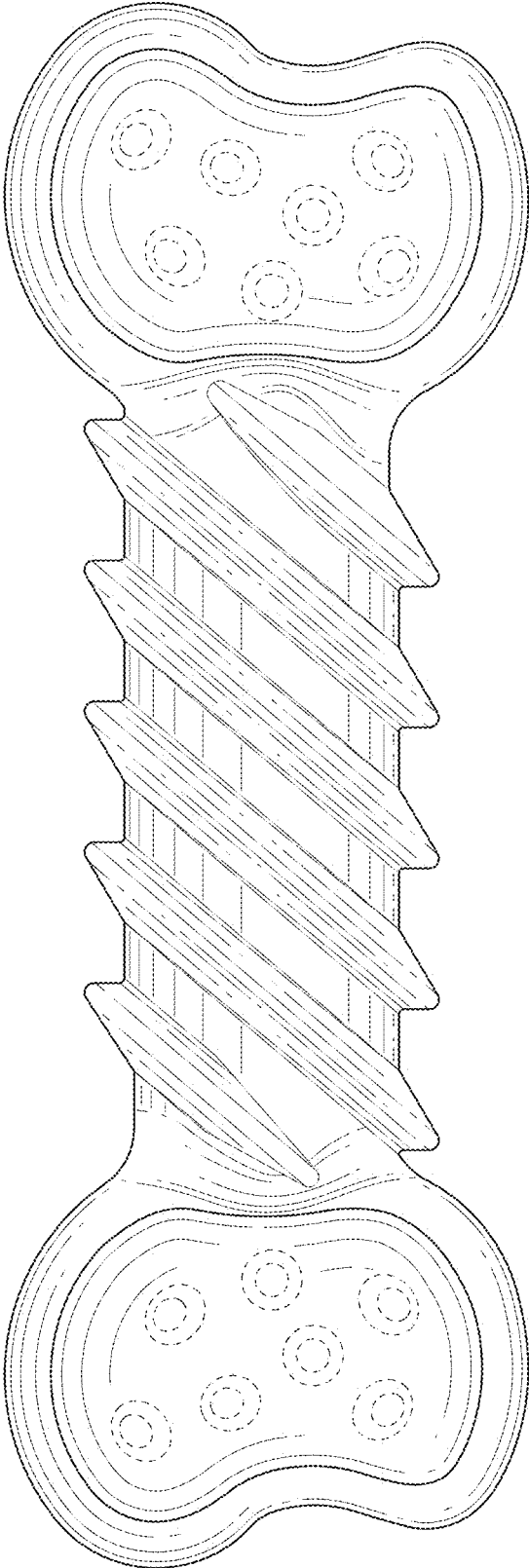


FIG. 3

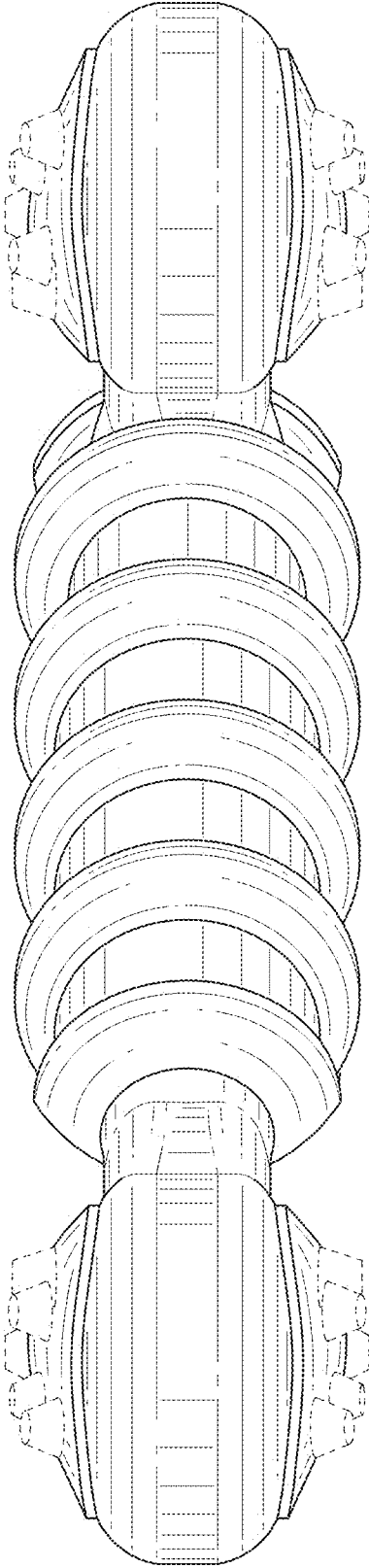


FIG.4

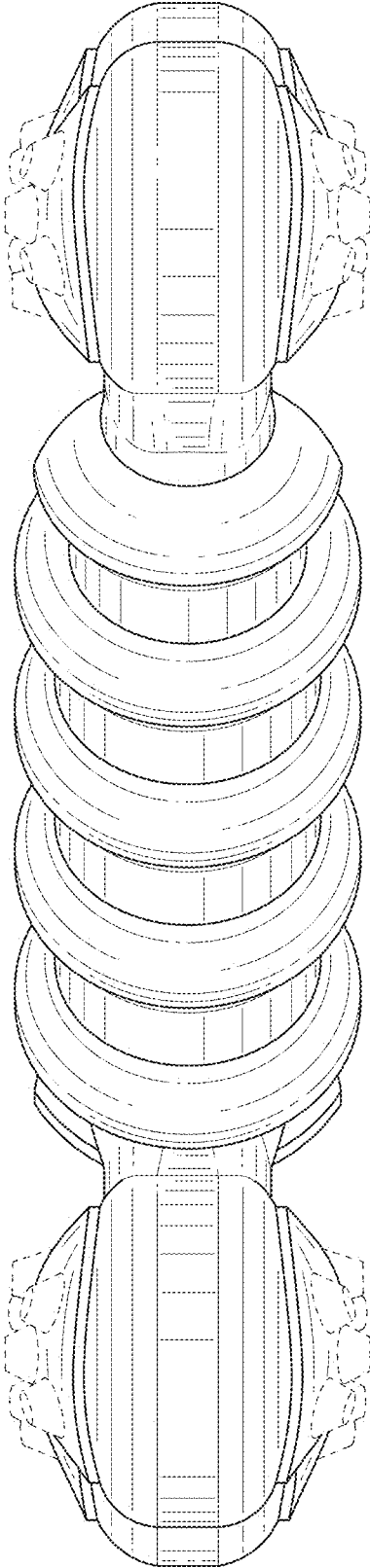


FIG.5

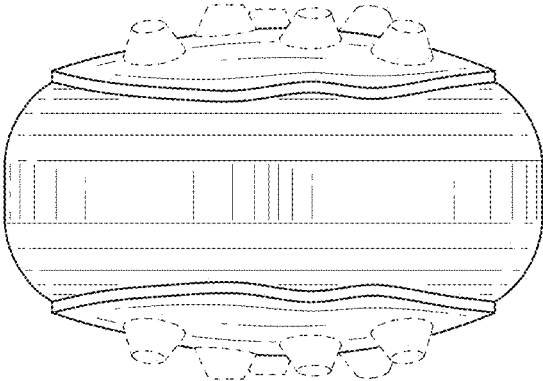


FIG. 6

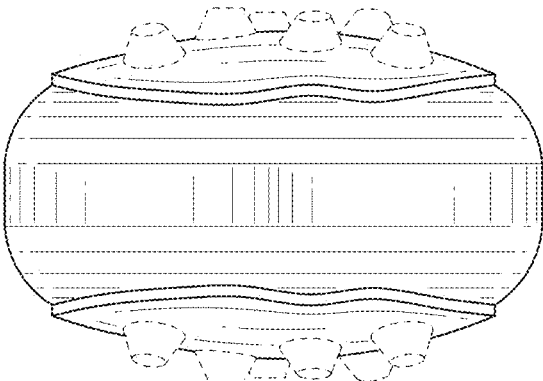


FIG. 7