

- [54] CANNULA
- [75] Inventors: Steve C. Jepson; Thomas E. Dudar, both of Palatine; Vince C. Desecki, Ingleside; Peter Graham, Wildwood, all of Ill.
- [73] Assignee: Baxter International Inc., Deerfield, Ill.
- [\*\*] Term: 14 Years
- [21] Appl. No.: 320,244
- [22] Filed: Mar. 7, 1989
- [52] U.S. Cl. .... D24/112
- [58] Field of Search ..... D24/53, 51, 52; 604/280, 283, 244, 403, 406, 413, 29, 905; 285/81, 92, 332, 340, 386

3,876,234	4/1975	Harms .....	285/332 X
4,266,815	5/1981	Cross .....	285/332 X
4,346,703	8/1982	Dennehey et al. ....	604/406
4,369,781	1/1983	Gilson et al. ....	604/403
4,452,473	6/1984	Ruschke .....	285/92 X

*Primary Examiner*—Stella Reid  
*Attorney, Agent, or Firm*—Paul C. Flattery; Amy L. H. Rockwell; Paul E. Schaafsma

[57] CLAIM

The ornamental design for a cannula, as shown and described.

DESCRIPTION

FIG. 1 is a perspective view of a cannula, showing our new design;  
 FIG. 2 is a top plan view thereof, the bottom plan view being identical;  
 FIG. 3 is an end elevational view thereof;  
 FIG. 4 is a side elevational view thereof, the opposite side being identical; and  
 FIG. 5 is an end elevational view thereof, opposite that shown in FIG. 3.

- [56] **References Cited**  
 U.S. PATENT DOCUMENTS  
 3,729,031 4/1973 Baldwin .  
 3,729,032 4/1973 Tischlinger .

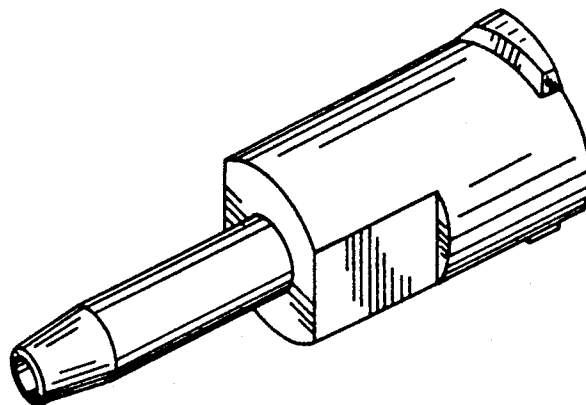


FIG. 1

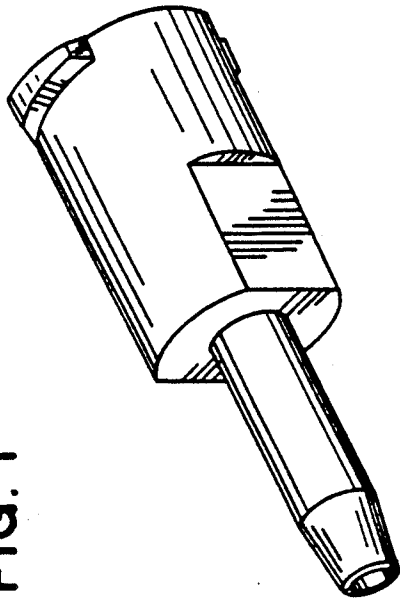


FIG. 2

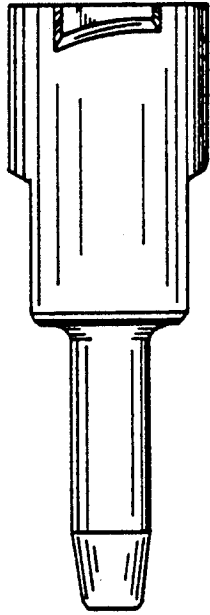


FIG. 3

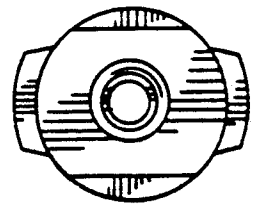


FIG. 4

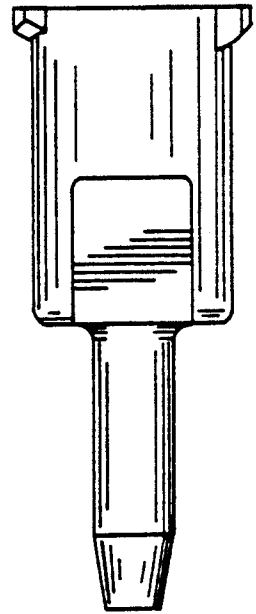


FIG. 5

