

(19) World Intellectual Property Organization
International Bureau



(43) International Publication Date
25 January 2007 (25.01.2007)

PCT

(10) International Publication Number
WO 2007/010426 A3

(51) International Patent Classification:

G11B 7/095 (2006.01) G11B 21/10 (2006.01)
G11B 21/08 (2006.01) G11B 5/596 (2006.01)

(21) International Application Number:

PCT/IB2006/052287

(22) International Filing Date:

6 July 2006 (06.07.2006)

(25) Filing Language:

English

(26) Publication Language:

English

(30) Priority Data:

05106502.7 15 July 2005 (15.07.2005) EP

(71) Applicant (for all designated States except US): KONINKLIJKE PHILIPS ELECTRONICS N.V. [NL/NL]; Groenewoudseweg 1, NL-5621 BA Eindhoven (NL).

(72) Inventor; and

(75) Inventor/Applicant (for US only): ZHOU, Yu [CN/SG]; C/o Prof. Holstlaan 6, NL-5656 AA Eindhoven (NL).

(74) Agents: VAN DE VEN, Johannes, P. et al.; Prof. Holstlaan 6, NL-5656 AA Eindhoven (NL).

(81) Designated States (unless otherwise indicated, for every kind of national protection available): AE, AG, AL, AM, AT, AU, AZ, BA, BB, BG, BR, BW, BY, BZ, CA, CH, CN, CO, CR, CU, CZ, DE, DK, DM, DZ, EC, EE, EG, ES, FI, GB, GD, GE, GH, GM, HN, HR, HU, ID, IL, IN, IS, JP, KE, KG, KM, KN, KP, KR, KZ, LA, LC, LK, LR, LS, LT, LU, LV, LY, MA, MD, MG, MK, MN, MW, MX, MZ, NA, NG, NI, NO, NZ, OM, PG, PH, PL, PT, RO, RS, RU, SC, SD, SE, SG, SK, SL, SM, SY, TJ, TM, TN, TR, TT, TZ, UA, UG, US, UZ, VC, VN, ZA, ZM, ZW.

(84) Designated States (unless otherwise indicated, for every kind of regional protection available): ARIPO (BW, GH, GM, KE, LS, MW, MZ, NA, SD, SL, SZ, TZ, UG, ZM, ZW), Eurasian (AM, AZ, BY, KG, KZ, MD, RU, TJ, TM), European (AT, BE, BG, CH, CY, CZ, DE, DK, EE, ES, FI, FR, GB, GR, HU, IE, IS, IT, LT, LU, LV, MC, NL, PL, PT, RO, SE, SI, SK, TR), OAPI (BF, BJ, CF, CG, CI, CM, GA, GN, GQ, GW, ML, MR, NE, SN, TD, TG).

Declaration under Rule 4.17:

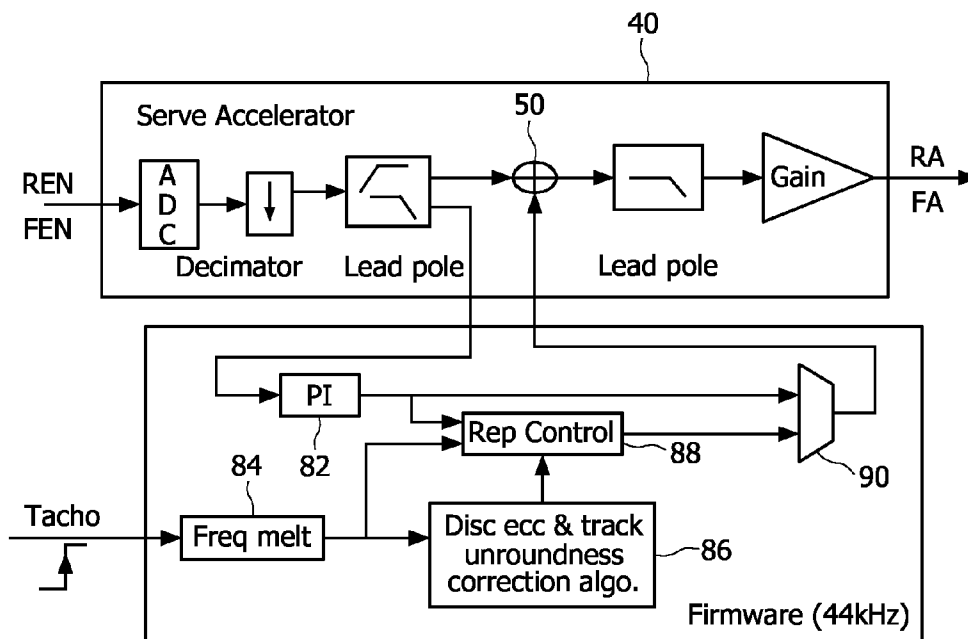
— as to applicant's entitlement to apply for and be granted a patent (Rule 4.17(ii))

Published:

— with international search report

[Continued on next page]

(54) Title: METHOD AND SYSTEM FOR CORRECTION OF ERRORS



(57) Abstract: A method and system for removing periodic disturbances pertaining to turntable and spindle motor errors during recording of a blank optical information carrier. The periodic disturbances are determined in advance and removed only during recording by a repetitive control/learning feedforward control circuit (88).

WO 2007/010426 A3



— *before the expiration of the time limit for amending the claims and to be republished in the event of receipt of amendments*

For two-letter codes and other abbreviations, refer to the "Guidance Notes on Codes and Abbreviations" appearing at the beginning of each regular issue of the PCT Gazette.

(88) Date of publication of the international search report:

3 May 2007

INTERNATIONAL SEARCH REPORT

International application No
PCT/IB2006/052287

A. CLASSIFICATION OF SUBJECT MATTER

INV. G11B7/095 G11B21/08 G11B21/10 G11B5/596

According to International Patent Classification (IPC) or to both national classification and IPC

B. FIELDS SEARCHED

Minimum documentation searched (classification system followed by classification symbols)

G11B

Documentation searched other than minimum documentation to the extent that such documents are included in the fields searched

Electronic data base consulted during the international search (name of data base and, where practical, search terms used)

EPO-Internal, WPI Data

C. DOCUMENTS CONSIDERED TO BE RELEVANT

| Category* | Citation of document, with indication, where appropriate, of the relevant passages | Relevant to claim No. |
|-----------|-----------------------------------------------------------------------------------------------------------------------------------------------------------------------------------------------|-----------------------|
| X | US 6 166 875 A (UENO TAKAHISA [JP] ET AL) 26 December 2000 (2000-12-26) abstract column 1, line 10 - column 3, line 12 column 4, line 61 - column 9, line 25 figures 1-8,13-17 | 1,6 |
| A | WO 01/33561 A (KONINKL PHILIPS ELECTRONICS NV [NL]; ZHOU YU [NL]; LEENKNEGT GEORGE AL) 10 May 2001 (2001-05-10) cited in the application the whole document | 1-9 |

 Further documents are listed in the continuation of Box C. See patent family annex.

* Special categories of cited documents :

- *A* document defining the general state of the art which is not considered to be of particular relevance
- *E* earlier document but published on or after the international filing date
- *L* document which may throw doubts on priority claim(s) or which is cited to establish the publication date of another citation or other special reason (as specified)
- *O* document referring to an oral disclosure, use, exhibition or other means
- *P* document published prior to the international filing date but later than the priority date claimed

- *T* later document published after the international filing date or priority date and not in conflict with the application but cited to understand the principle or theory underlying the invention
- *X* document of particular relevance; the claimed invention cannot be considered novel or cannot be considered to involve an inventive step when the document is taken alone
- *Y* document of particular relevance; the claimed invention cannot be considered to involve an inventive step when the document is combined with one or more other such documents, such combination being obvious to a person skilled in the art.
- *&* document member of the same patent family

Date of the actual completion of the international search

1 February 2007

Date of mailing of the international search report

22/02/2007

Name and mailing address of the ISA/

European Patent Office, P.B. 5818 Patentlaan 2
NL - 2280 HV Rijswijk
Tel. (+31-70) 340-2040, Tx. 31 651 epo nl,
Fax: (+31-70) 340-3016

Authorized officer

Sucher, Ralph

INTERNATIONAL SEARCH REPORT

International application No
PCT/IB2006/052287

| Patent document cited in search report | | Publication date | | Patent family member(s) | Publication date |
|----------------------------------------|---|------------------|----|-------------------------|------------------|
| US 6166875 | A | 26-12-2000 | CN | 1215208 A | 28-04-1999 |
| | | | DE | 19821486 A1 | 22-04-1999 |
| | | | JP | 11126444 A | 11-05-1999 |
| <hr/> | | | | | |
| WO 0133561 | A | 10-05-2001 | TW | 540030 B | 01-07-2003 |
| <hr/> | | | | | |