



US00D758455S

(12) **United States Design Patent**
Maibach et al.

(10) **Patent No.:** **US D758,455 S**
(45) **Date of Patent:** **** Jun. 7, 2016**

- (54) **ROBOTIC MOWER BODY**
- (71) Applicant: **MTD Products Inc**, Valley City, OH (US)
- (72) Inventors: **Ryan W. Maibach**, Medina, OH (US);
Ryan Cmich, Sharon Township, OH (US)
- (73) Assignee: **MTD Products Inc**, Valley City, OH (US)
- (**) Term: **15 Years**

D559,867 S *	1/2008	Abramson	D15/14
7,444,206 B2	10/2008	Abramson et al.		
7,613,543 B2	11/2009	Petersson et al.		
7,668,631 B2	2/2010	Bernini		
7,729,801 B2	6/2010	Abramson		
7,769,490 B2	8/2010	Abramson et al.		
8,046,103 B2	10/2011	Abramson et al.		
D652,431 S *	1/2012	Naslund	D15/14
D656,163 S *	3/2012	Johansson	D15/14
8,239,992 B2	8/2012	Schnittman et al.		
D678,352 S *	3/2013	Maeda	D15/14
D679,294 S *	4/2013	Tajik	D15/14
D679,295 S *	4/2013	Tajik	D15/14
D681,065 S *	4/2013	Maeda	D15/14

(Continued)

- (21) Appl. No.: **29/529,341**
- (22) Filed: **Jun. 5, 2015**
- (51) **LOC (10) Cl.** **15-03**
- (52) **U.S. Cl.**
USPC **D15/14; D15/17**
- (58) **Field of Classification Search**
USPC D15/14, 17, 18; 56/11.9, 17.5, 13.4,
56/12.8, 16.7, 202, 255, 294, 295, 320.1,
56/320.2; 180/900, 89.1, 89.12
CPC A01D 34/008; A01D 34/81; B60L 1/003;
B60L 3/0061; B60L 11/1803; B60L 11/1805;
B60L 11/1877; B60L 15/20; B60L 2260/28;
B60L 2200/40; B60L 2220/16; B60L 2220/46;
B60L 2240/36; B60L 2240/421
See application file for complete search history.

FOREIGN PATENT DOCUMENTS

EP	2648307 A1	10/2013
EP	2656718 A1	10/2013
EP	2852029 A1	3/2015

Primary Examiner — Mark Goodwin

(74) *Attorney, Agent, or Firm* — Wegman, Hessler & Vanderburg

(57) **CLAIM**

We claim the ornamental design for a robotic mower body, as shown and described.

DESCRIPTION

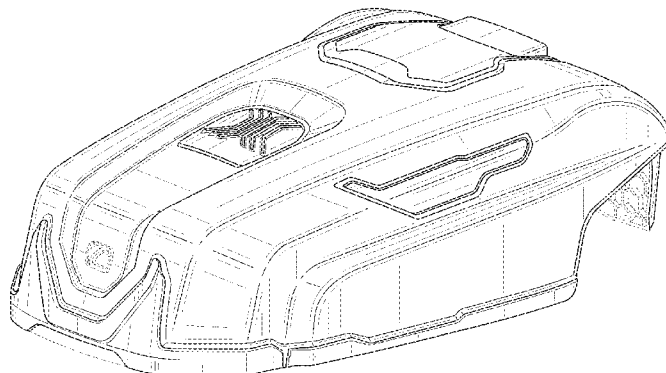
FIG. 1 is a top perspective view of a robotic mower body showing our new design;
 FIG. 2 is a front view thereof;
 FIG. 3 is a rear view thereof;
 FIG. 4 is a left side view thereof;
 FIG. 5 is a right side view thereof;
 FIG. 6 is a top view thereof; and,
 FIG. 7 is a bottom view thereof.

The ornamental design which is claimed is shown in solid lines in the drawings. Any broken lines in the drawings are for illustrative purposes only and form no part of the claimed design.

1 Claim, 6 Drawing Sheets

(56) **References Cited**
 U.S. PATENT DOCUMENTS

5,204,814 A	4/1993	Noonan et al.		
D420,365 S *	2/2000	Gunnar	D15/14
6,321,515 B1	11/2001	Colens		
D451,931 S *	12/2001	Abramson	D15/14
6,327,741 B1	12/2001	Reed		
6,339,735 B1	1/2002	Peless et al.		
6,493,613 B2	12/2002	Peless et al.		
D504,901 S *	5/2005	Wickstrom	D15/14
7,079,923 B2	7/2006	Abramson et al.		



(56)

References Cited

U.S. PATENT DOCUMENTS

8,428,776	B2	4/2013	Letsky			
8,452,450	B2	5/2013	Dooley et al.			
D688,276	S *	8/2013	Naslund	D15/14		
8,532,822	B2	9/2013	Abramson et al.			
8,600,582	B2	12/2013	Bernini			
8,676,378	B2	3/2014	Tian et al.			
8,818,602	B2	8/2014	Yamamura et al.			
					8,868,237	B2 10/2014 Sandin et al.
					8,983,693	B2 3/2015 Yamamura et al.
					2006/0150361	A1 7/2006 Aldred et al.
					2011/0234153	A1 9/2011 Abramson
					2013/0211646	A1 8/2013 Yamamura et al.
					2013/0211647	A1 8/2013 Yamamura et al.
					2013/0317680	A1 11/2013 Yamamura et al.
					2014/0031979	A1 1/2014 Borinato et al.
					2014/0058611	A1 2/2014 Borinato
					2014/0324269	A1 10/2014 Abramson et al.

* cited by examiner

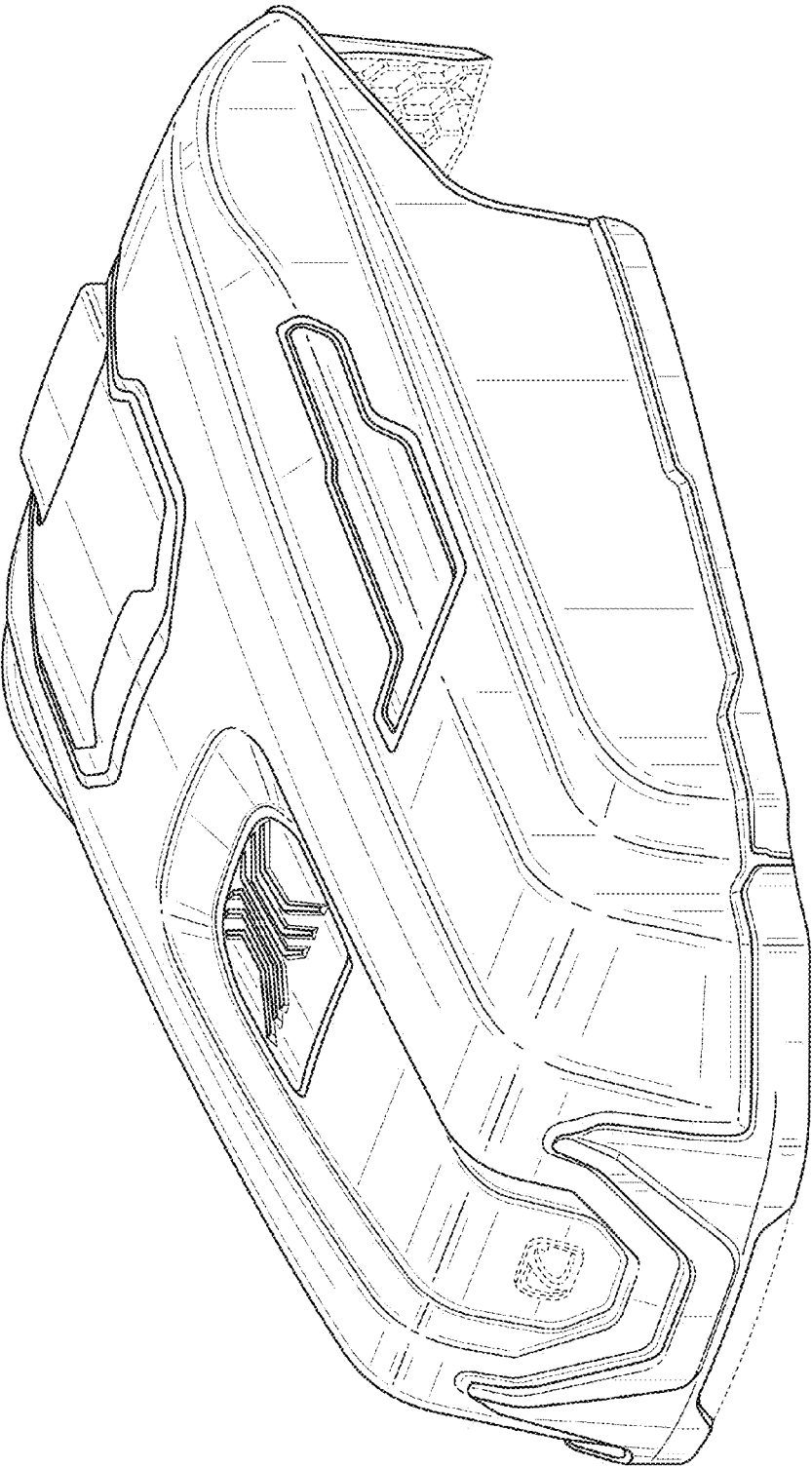


FIG. 1

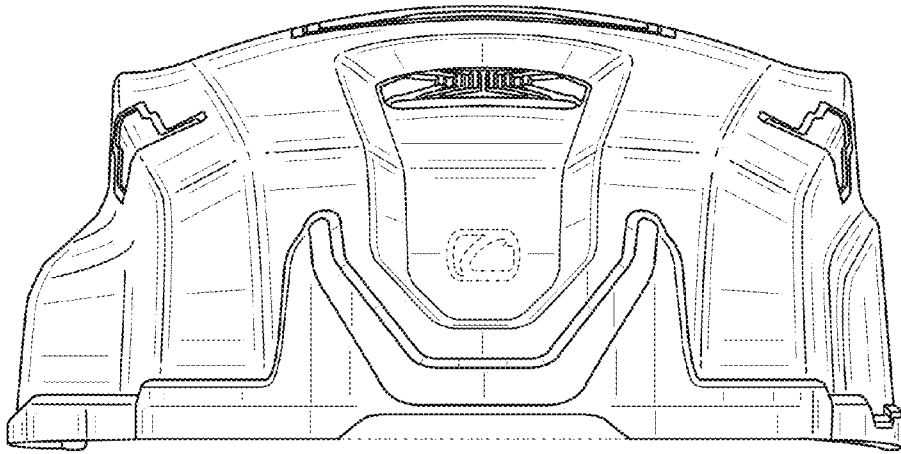


FIG. 2

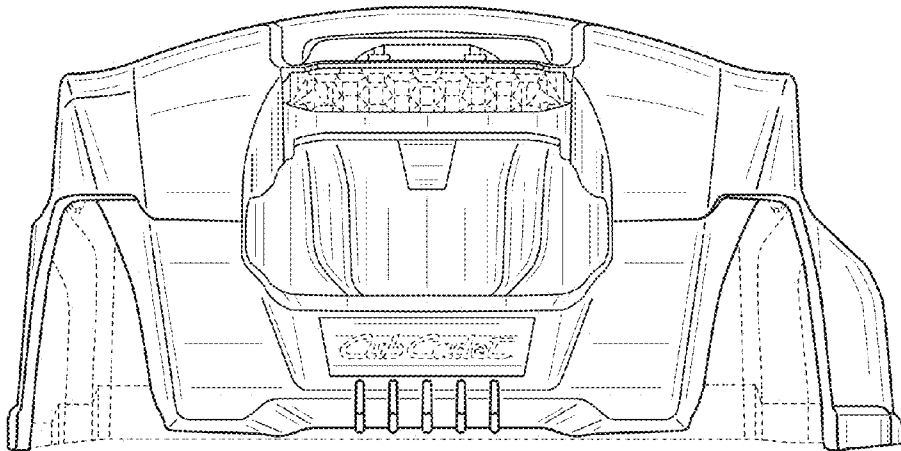


FIG. 3

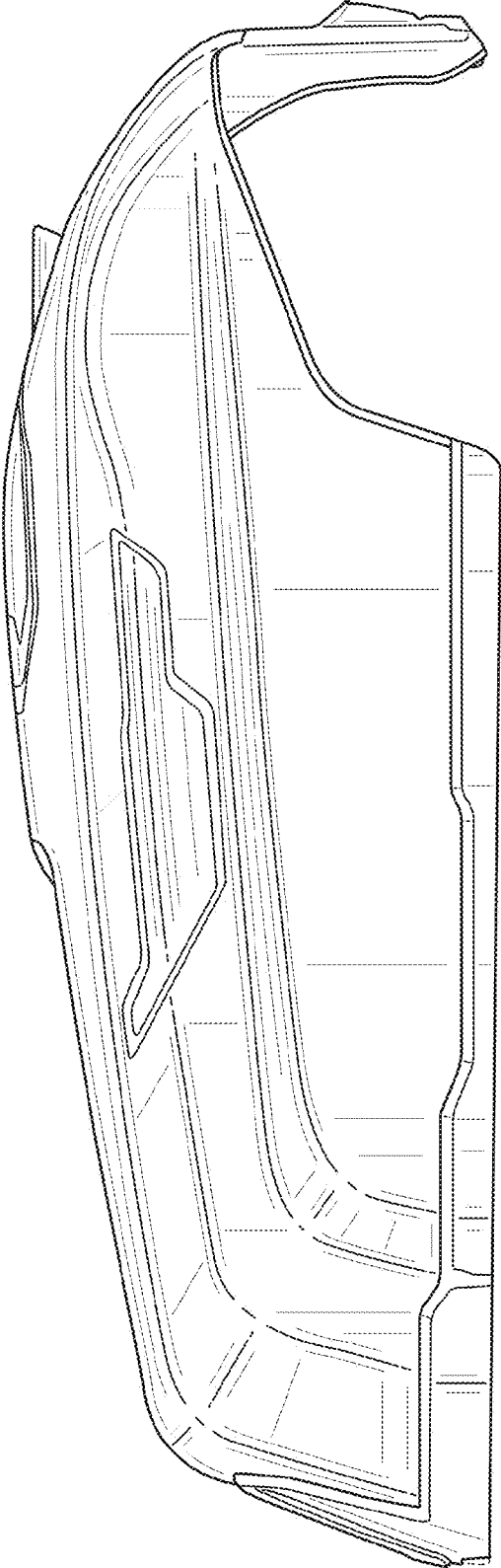


FIG. 4

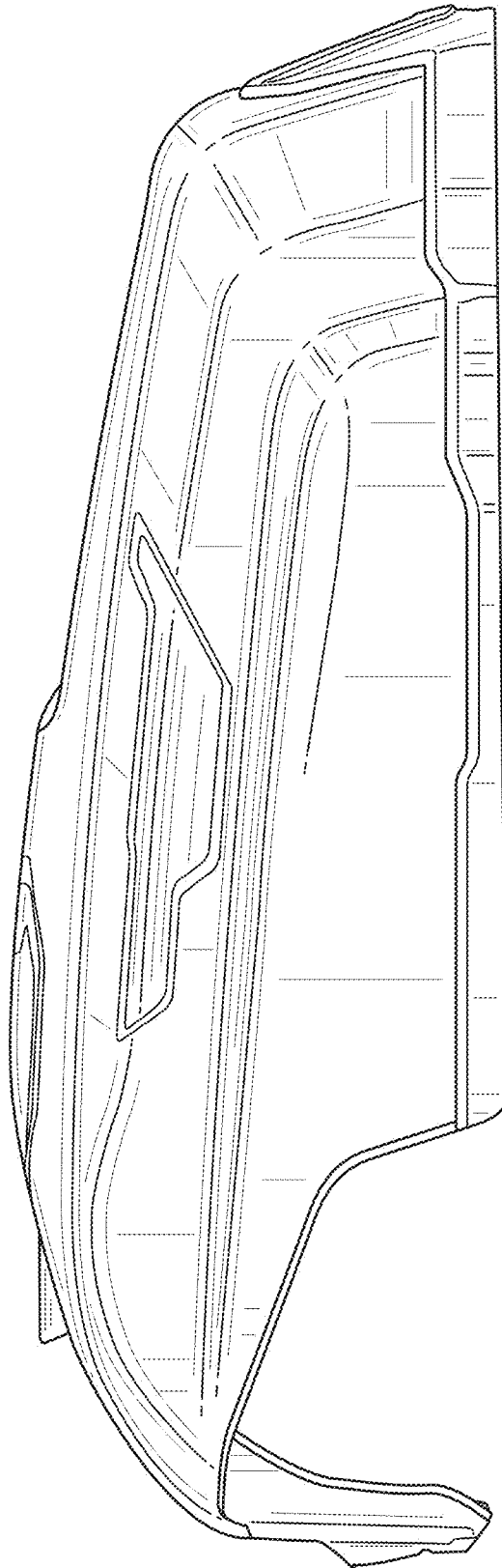


FIG. 5

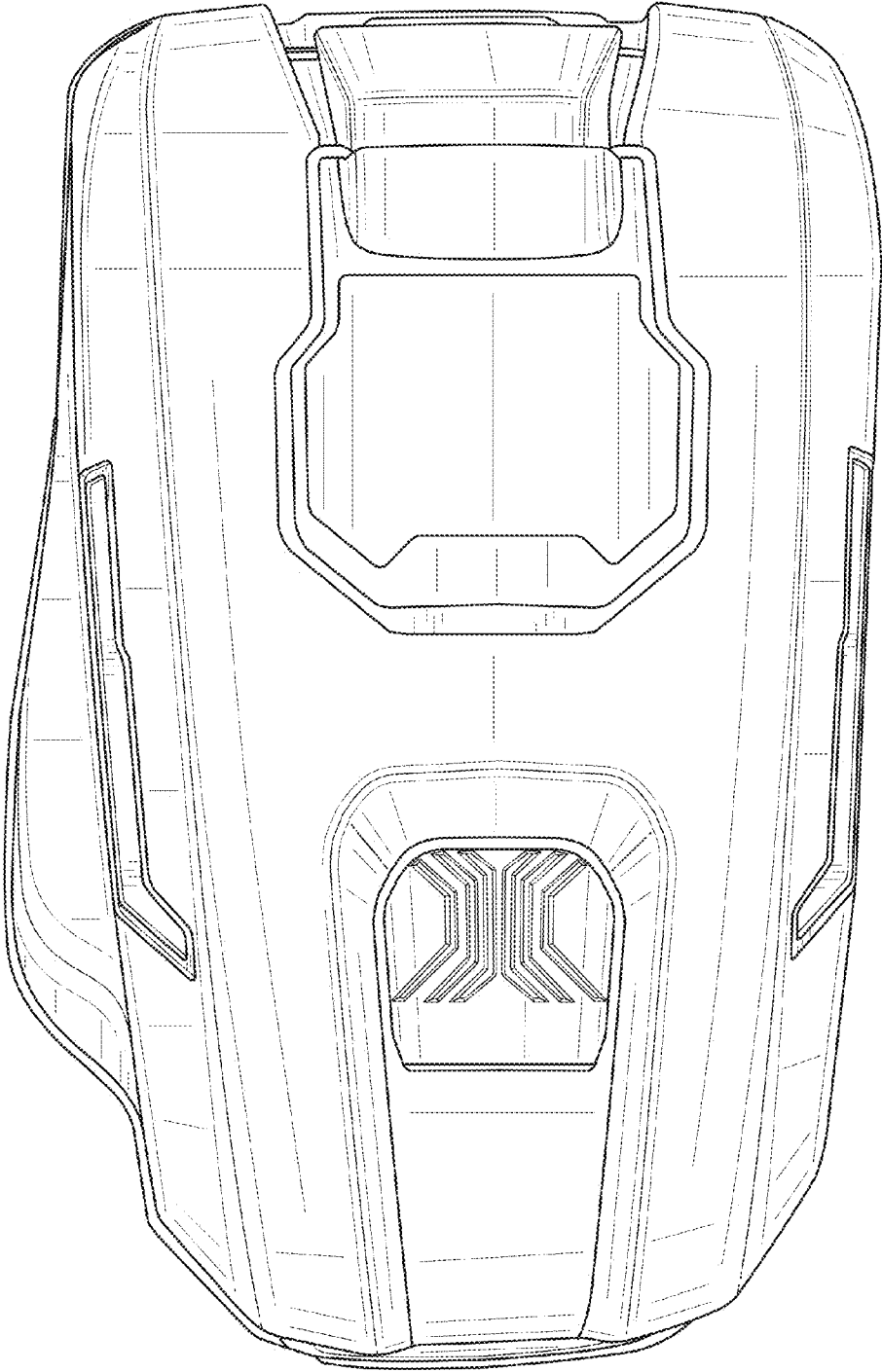


FIG. 6

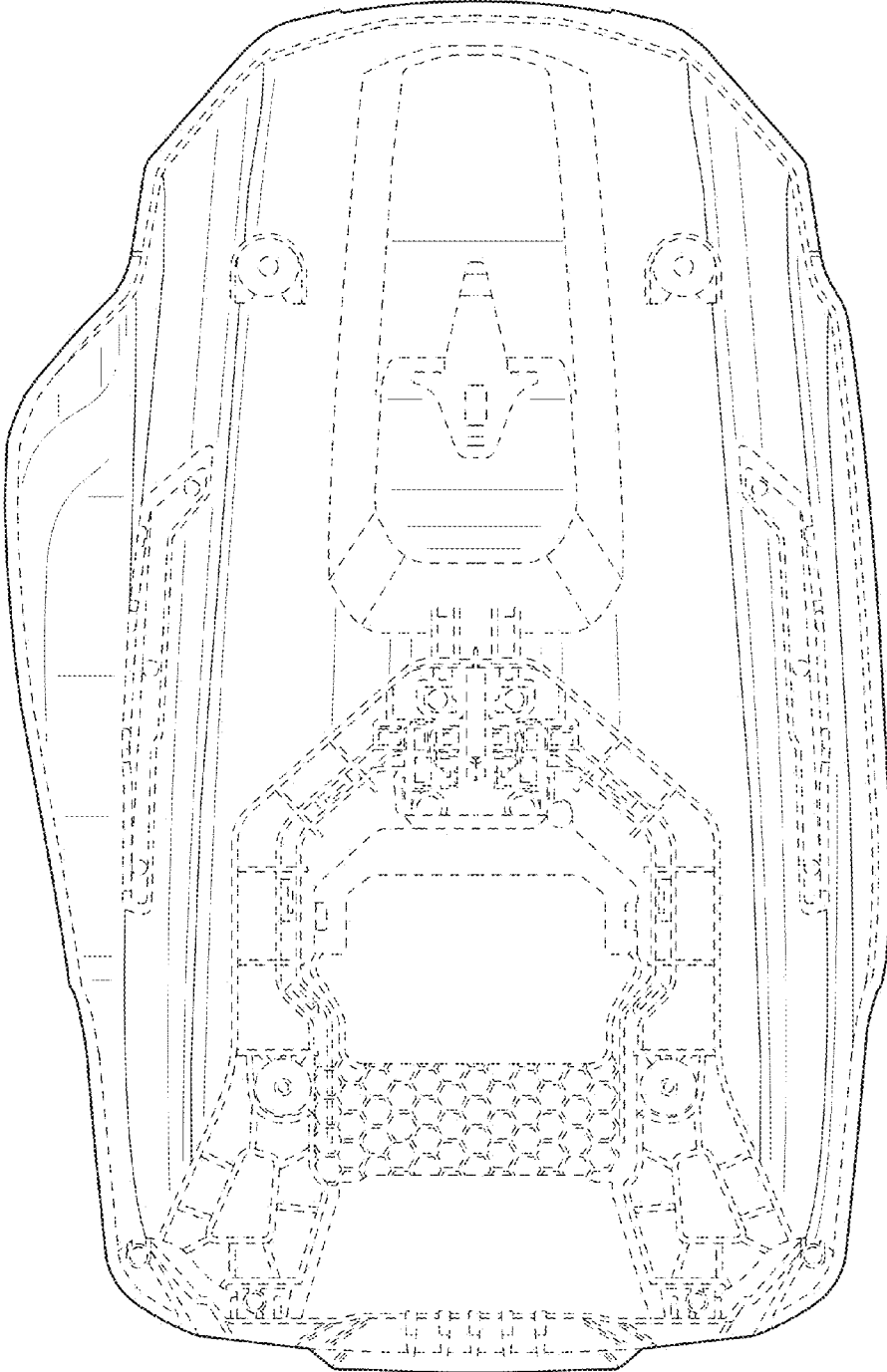


FIG. 7