



US00D501921S

(12) **United States Design Patent**
Caserta et al.

(10) **Patent No.:** **US D501,921 S**

(45) **Date of Patent:** **** Feb. 15, 2005**

(54) **EVAPORATOR OF ACTIVE SUBSTANCES**

D433,744 S * 11/2000 Basaganas D23/366
D481,787 S * 11/2003 Millan D23/366
D491,256 S * 6/2004 Fellows et al. D23/366

(75) Inventors: **Andrea Caserta**, Cerdanyola del Valles (ES); **Ruben Garcia Fabrega**, Cerdanyola del Valles (ES); **Joan Gusi Hidalgo**, Cerdanyola del Valles (ES)

* cited by examiner

(73) Assignee: **DBK España, S.A.**, Barcelona (ES)

Primary Examiner—Lisa Lichtenstein
(74) *Attorney, Agent, or Firm*—Schiff Hardin LLP

(**) Term: **14 Years**

(21) Appl. No.: **29/181,208**

(22) Filed: **May 7, 2003**

(30) **Foreign Application Priority Data**

Nov. 8, 2002 (ES) 155482

(51) **LOC (7) Cl.** **23-04**

(52) **U.S. Cl.** **D23/366**

(58) **Field of Search** D23/366–369,
D23/356–363; 392/390, 392; 239/135, 136,
58, 60

(56) **References Cited**

U.S. PATENT DOCUMENTS

D432,222 S * 10/2000 Rymer et al. D23/366

(57) **CLAIM**

The ornamental design for an evaporator of active substances, as shown and described.

DESCRIPTION

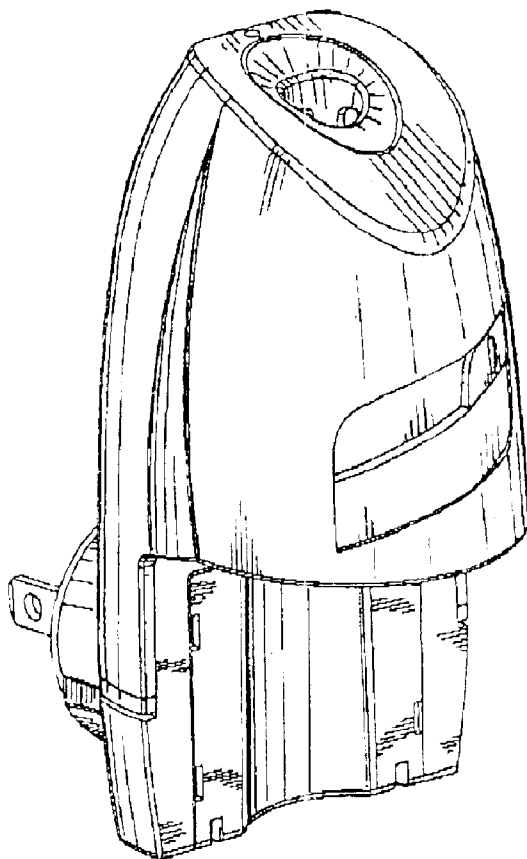
FIG. 1 is a perspective view of an evaporator of active substances showing my new design;

FIG. 2 is a top view thereof;

FIG. 3 is a side view thereof; and,

FIG. 4 is a front view thereof.

1 Claim, 4 Drawing Sheets



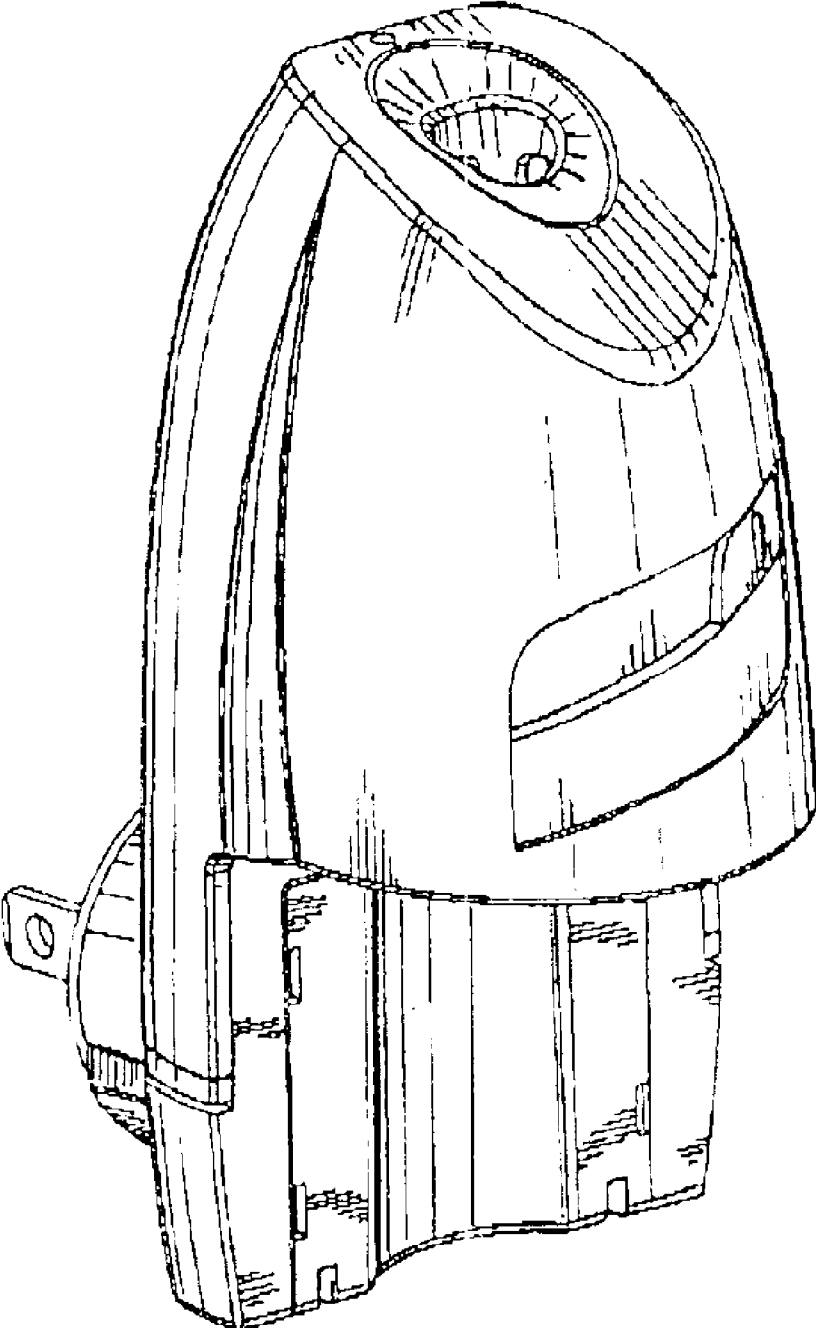


FIG. 1

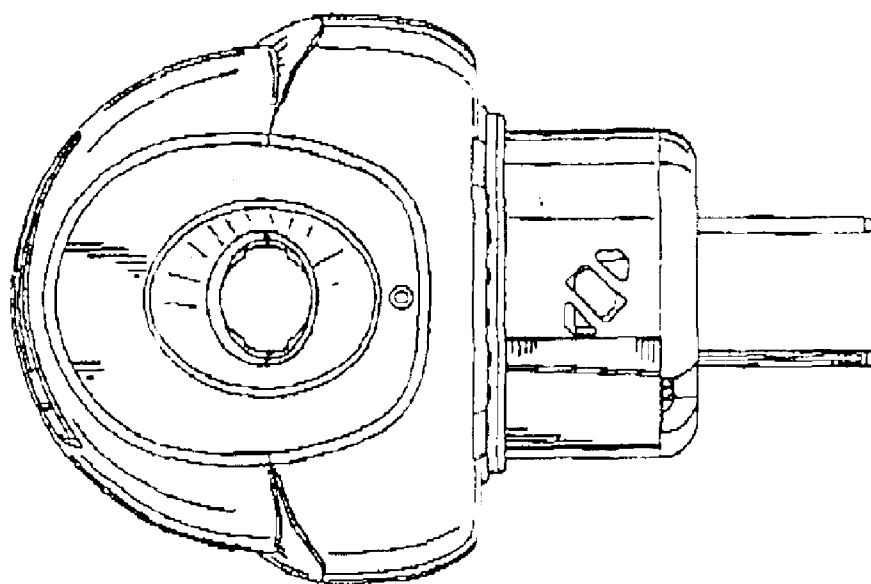


FIG. 2

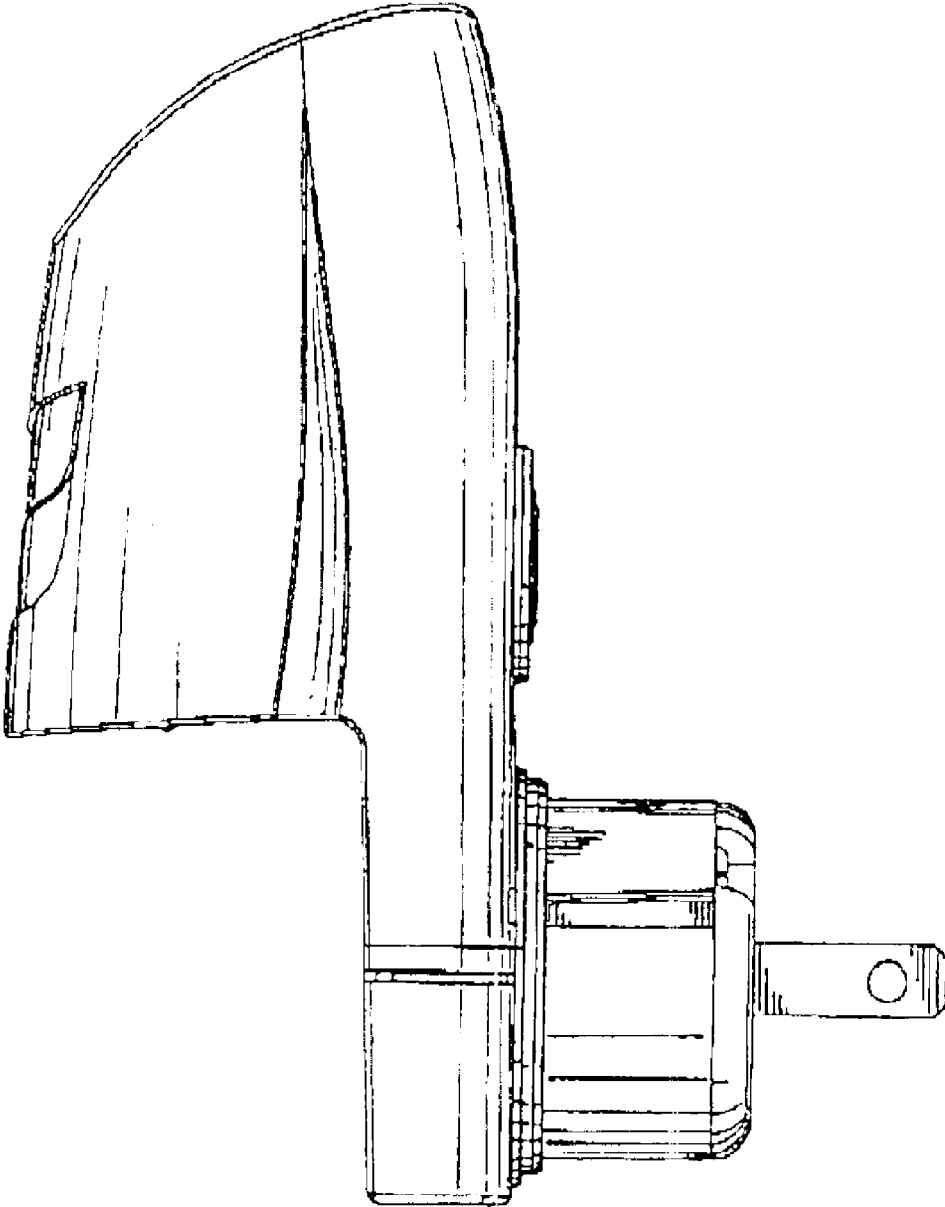


FIG. 3

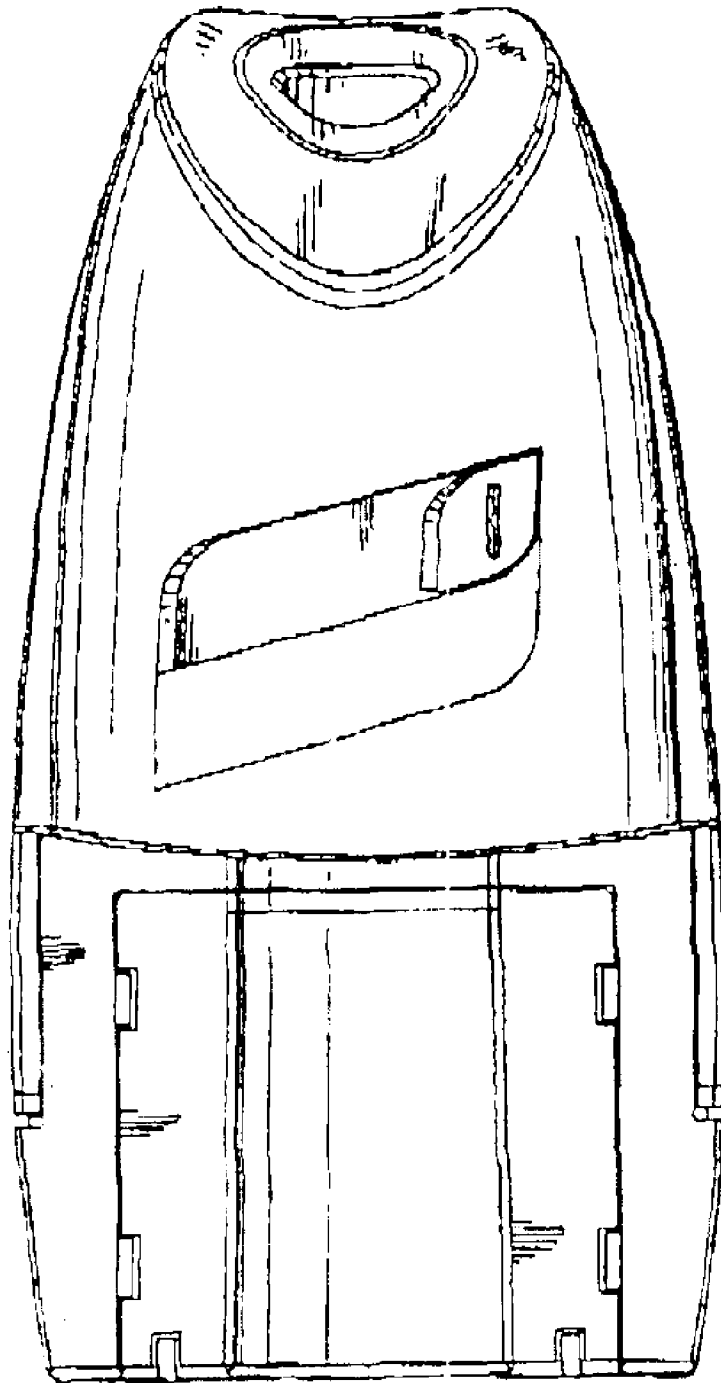


FIG. 4