



US00D857965S

(12) **United States Design Patent**
Amato et al.

(10) **Patent No.:** **US D857,965 S**

(45) **Date of Patent:** **** Aug. 27, 2019**

(54) **LIGHTING FIXTURE**

(71) Applicant: **The Urban Electric Company**, North Charleston, SC (US)

(72) Inventors: **Michael Amato**, Johns Island, SC (US); **David Dawson**, Charleston, SC (US); **Jonathan Charpia**, Summerville, SC (US); **Joeangel Casanova**, North Charleston, SC (US); **Brianna Magagnoli**, North Charleston, SC (US); **Janis Golubeckis**, Mount Pleasant, SC (US)

(73) Assignee: **The Urban Electric Company**, North Charleston, SC (US)

(**) Term: **15 Years**

(21) Appl. No.: **29/641,154**

(22) Filed: **Mar. 20, 2018**

(51) **LOC (12) Cl.** **26-03**

(52) **U.S. Cl.**
USPC **D26/81**

(58) **Field of Classification Search**
USPC D26/80, 81, 82, 83, 84, 85, 86, 88, 90, D26/91, 131, 135
CPC F21S 8/03; F21S 8/04; F21S 8/043; F21S 8/046; F21S 8/06; F21S 8/061; F21S 8/063; F21S 8/065; F21S 8/068
See application file for complete search history.

(56) **References Cited**

U.S. PATENT DOCUMENTS

D72,463 S * 4/1927 Wolter D26/80
D134,482 S * 12/1942 Ganger D26/81
D167,681 S * 9/1952 Farrington et al. D26/143

D304,768 S * 11/1989 Dicola D26/84
D385,380 S * 10/1997 Porter D26/143
D425,236 S * 5/2000 Porter D26/86
D441,898 S * 5/2001 Hsu D26/86
D493,568 S * 7/2004 Parres D26/143
D541,970 S * 5/2007 Blackman D26/81
D570,520 S * 6/2008 Nicholas D26/81
D576,335 S * 9/2008 Chandler D26/143
D806,305 S * 12/2017 Amato D26/81
D819,866 S * 6/2018 Amato D26/81
D828,945 S * 9/2018 Crocker D26/81
D835,322 S * 12/2018 Nicholas D26/81

* cited by examiner

Primary Examiner — Clare E Heflin

(74) *Attorney, Agent, or Firm* — Jeffrey T. Stover; Haynsworth Sinkler Boyd, P.A.

(57) **CLAIM**

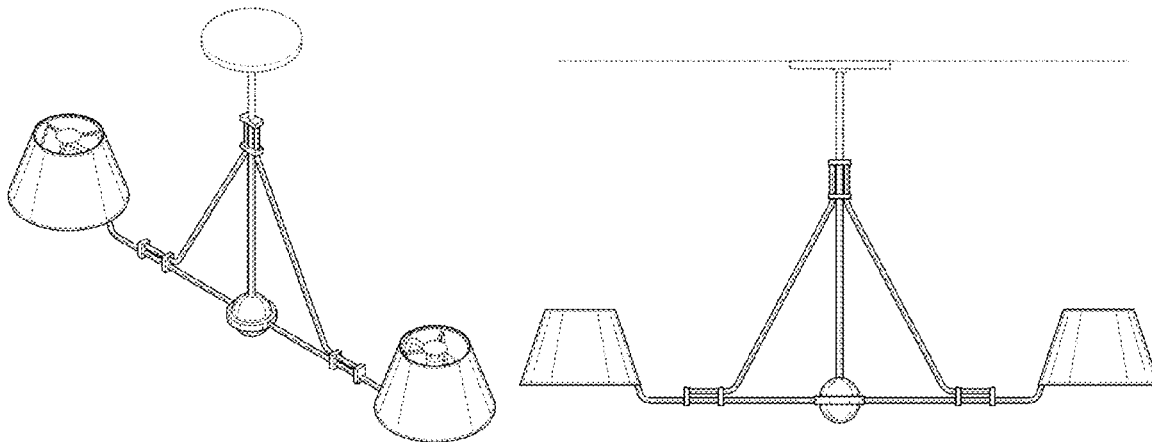
The ornamental design for a lighting fixture, as shown and described.

DESCRIPTION

FIG. 1 is a top perspective view of a new lighting fixture; FIG. 2 is a bottom perspective view thereof; FIG. 3 is a bottom plan view thereof; FIG. 4 is a left elevational view thereof; FIG. 5 is a right elevational view thereof; FIG. 6 is a front elevational view thereof; FIG. 7 is a back elevational view thereof; and, FIG. 8 is a top plan view thereof.

The horizontal broken line depicted at the top of the fixture on FIGS. 4 through 7 represents environmental structure to which the fixture is mounted, which forms no part of the claimed design. The remaining broken line disclosures in the views represent portions of the lighting fixture which form no part of the claimed design.

1 Claim, 8 Drawing Sheets



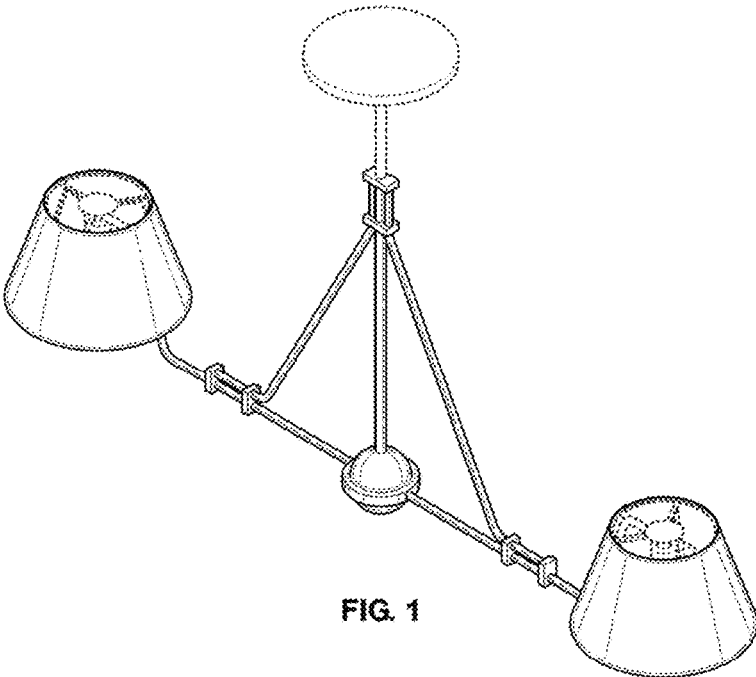


FIG. 1

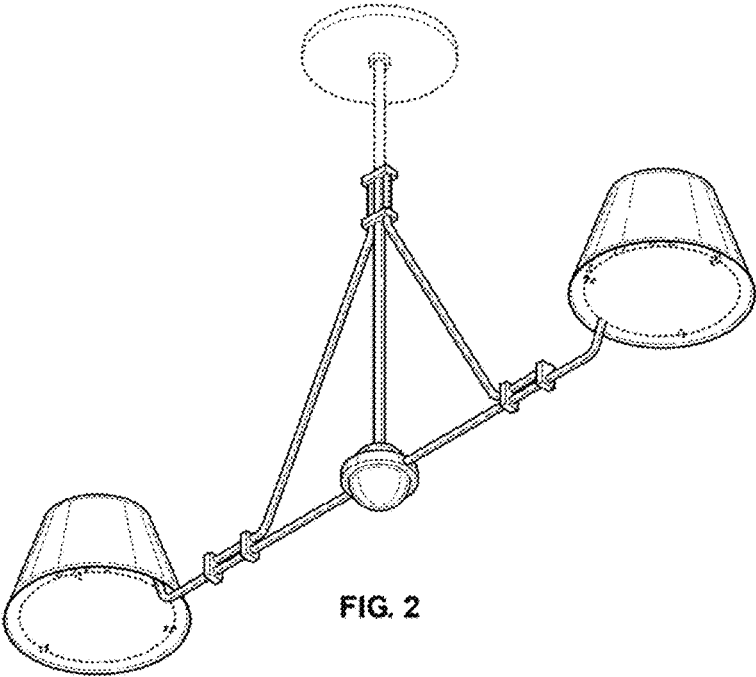


FIG. 2

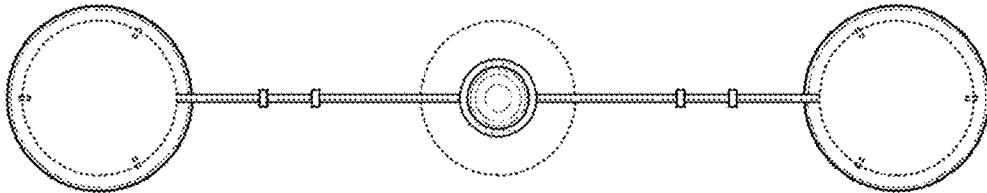


FIG. 3

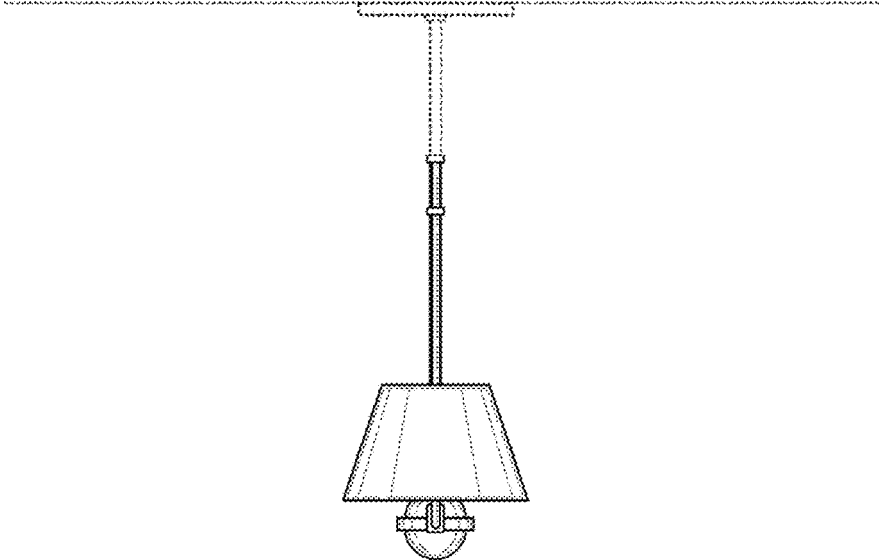


FIG. 4

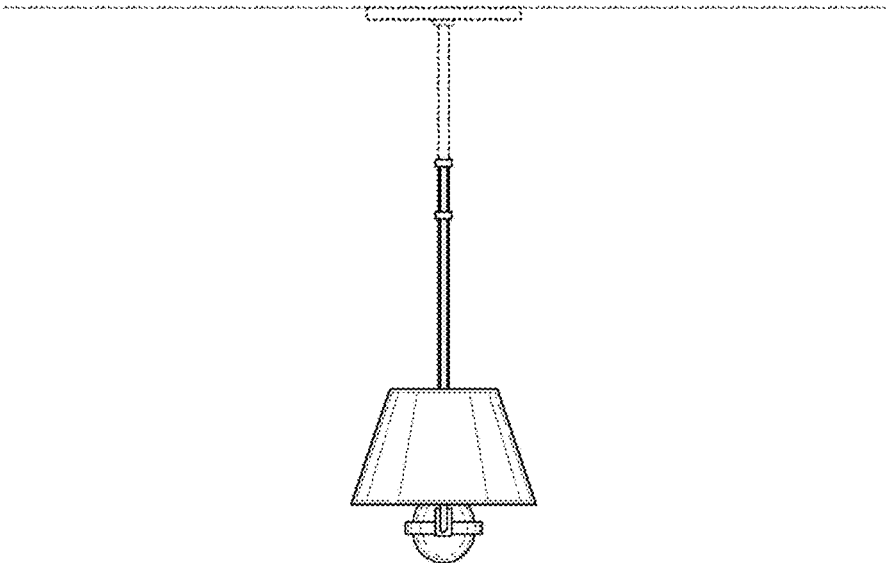


FIG. 5

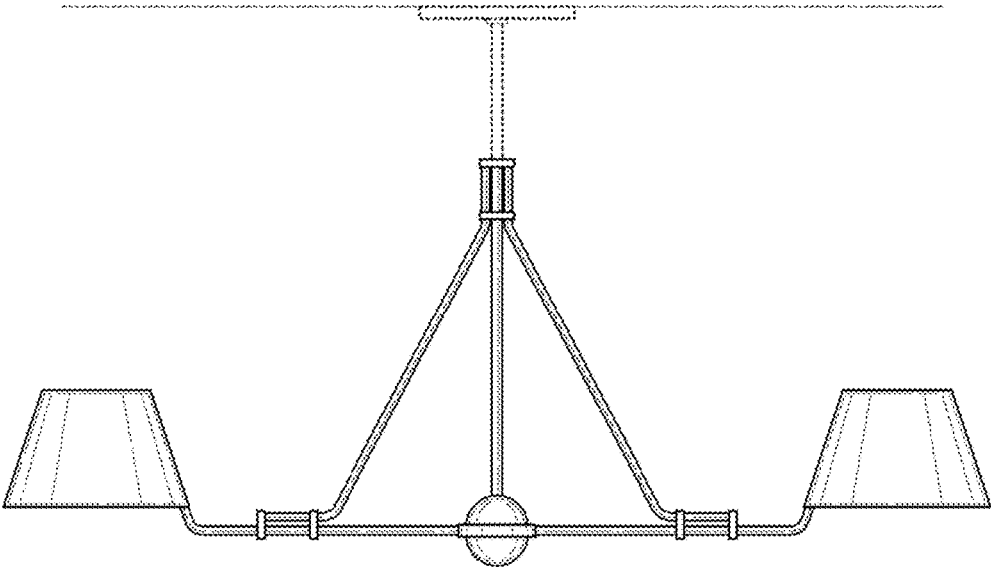


FIG. 6

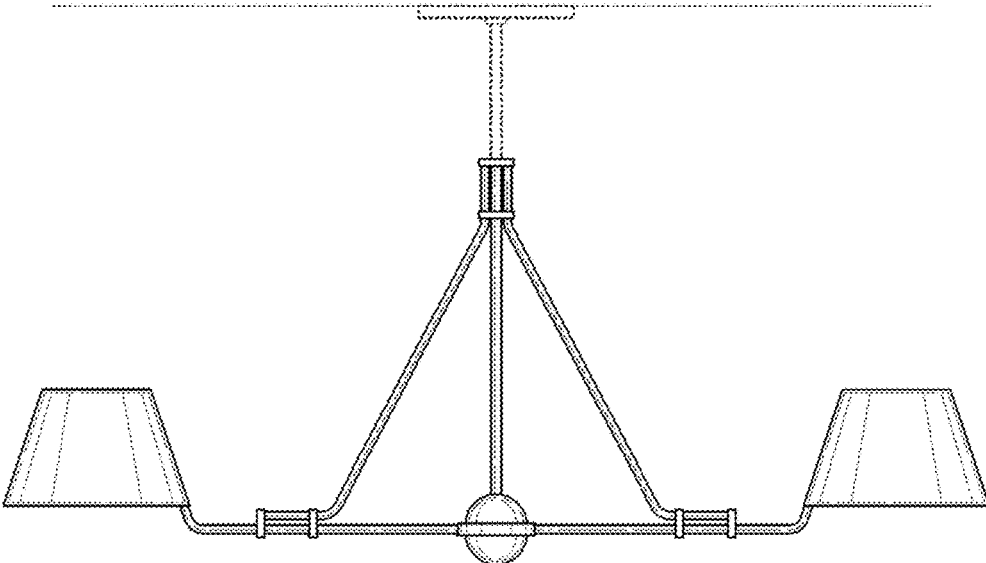


FIG. 7

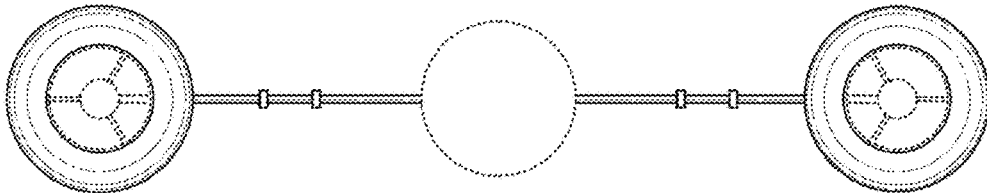


FIG. 8