



US00D586006S

(12) **United States Design Patent**
Pannekoek

(10) **Patent No.:** **US D586,006 S**

(45) **Date of Patent:** **** Feb. 3, 2009**

(54) **POLE ATTACHMENT**

D426,319 S * 6/2000 Lee D25/126
6,957,832 B1 10/2005 Pannekoek

(75) Inventor: **Robert J. Pannekoek**, Mandurah (AU)

* cited by examiner

(73) Assignee: **Safe Swivel Patent Co. Pty. Ltd.**,
Mandurah (AU)

Primary Examiner—Doris Clark
(74) *Attorney, Agent, or Firm*—Bachman & LaPointe, P.C.

(**) Term: **14 Years**

(57) **CLAIM**

(21) Appl. No.: **29/254,561**

The ornamental design for a pole attachment, as shown.

(22) Filed: **Feb. 23, 2006**

DESCRIPTION

(30) **Foreign Application Priority Data**

Aug. 23, 2005 (AU) 13595/2005

FIG. 1 is an upper perspective view of the pole attachment of FIG. 1.

(51) **LOC (9) Cl.** **25-01**

FIG. 2 is a lower perspective view of the pole attachment of FIG. 1.

(52) **U.S. Cl.** **D25/126**

FIG. 3 is a front view of the pole attachment of FIG. 1.

(58) **Field of Classification Search** D25/126;
52/2.21, 832; 362/410, 431
See application file for complete search history.

FIG. 4 is a rear view of the pole attachment of FIG. 1.

FIG. 5 is a first side view of the pole attachment of FIG. 1.

FIG. 6 is a second side view of the pole attachment of FIG. 1.

FIG. 7 is a top plan view of the pole attachment of FIG. 1; and,

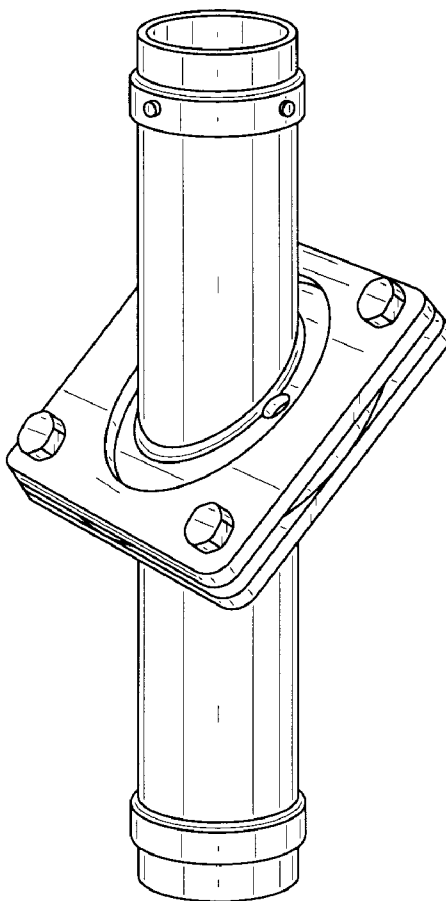
FIG. 8 is a bottom plan view of the pole attachment of FIG. 1.

(56) **References Cited**

U.S. PATENT DOCUMENTS

5,217,298 A * 6/1993 Jackson et al. 362/648
5,615,946 A * 4/1997 Yeh 362/431

1 Claim, 4 Drawing Sheets



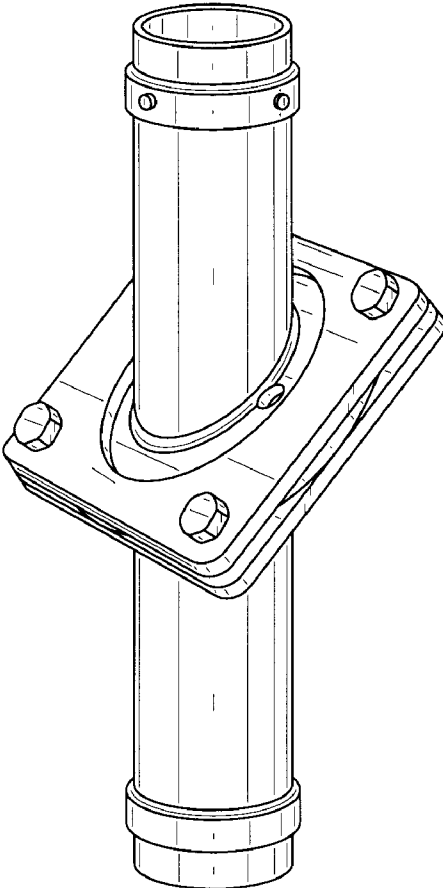


FIG. 1

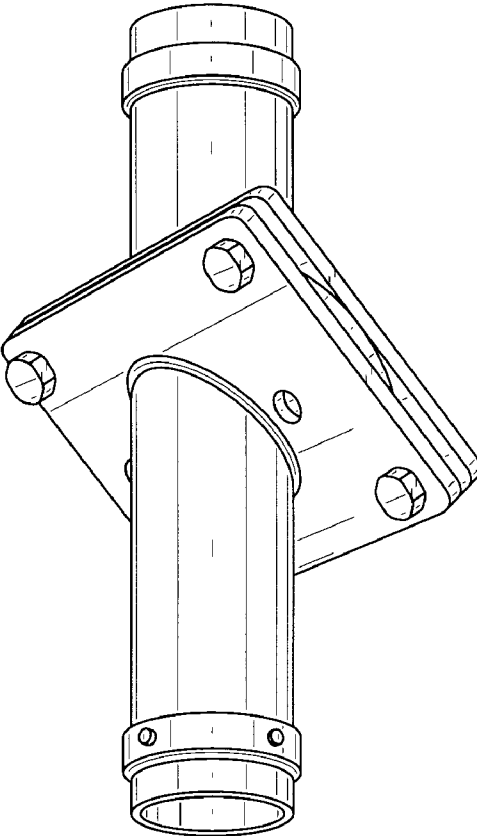


FIG. 2

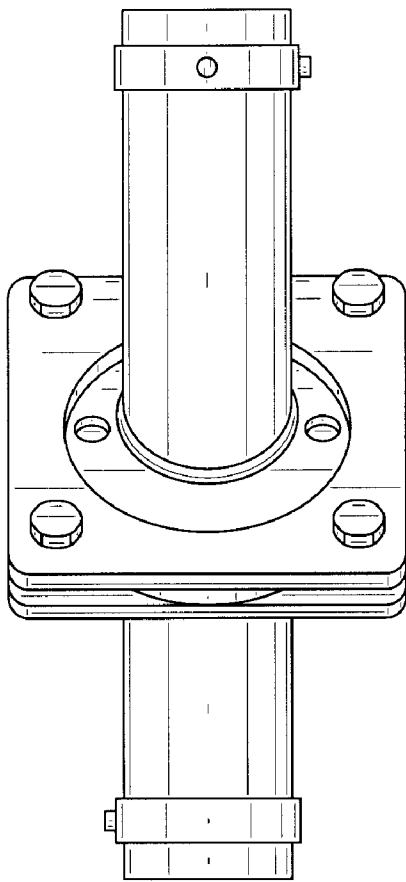


FIG. 3

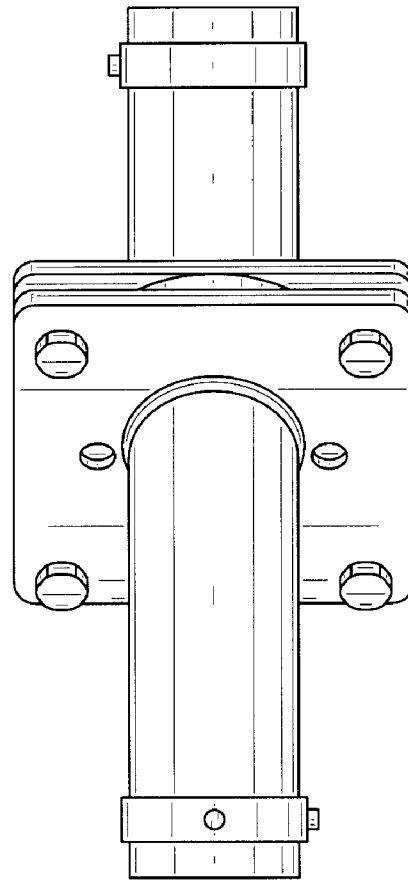


FIG. 4

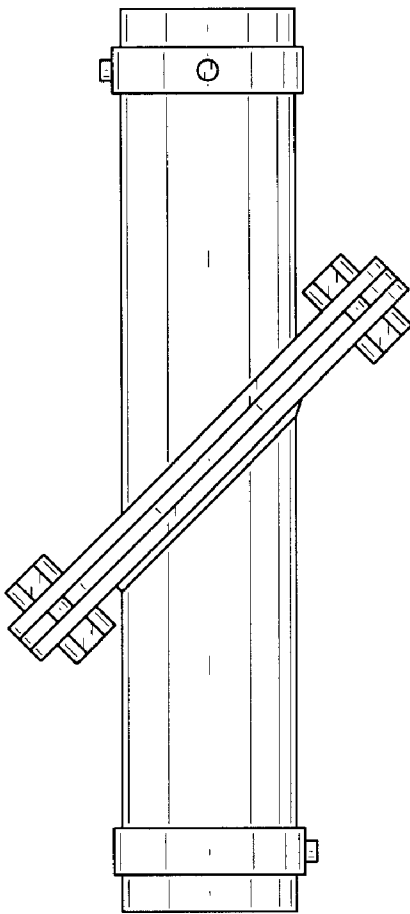


FIG. 5

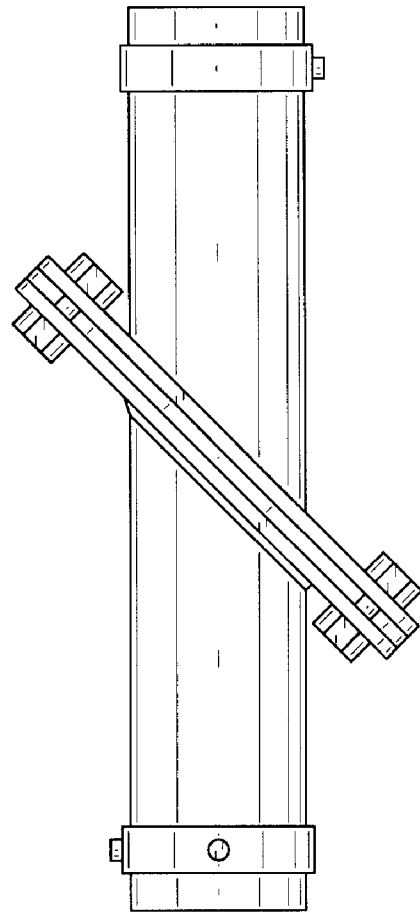


FIG. 6

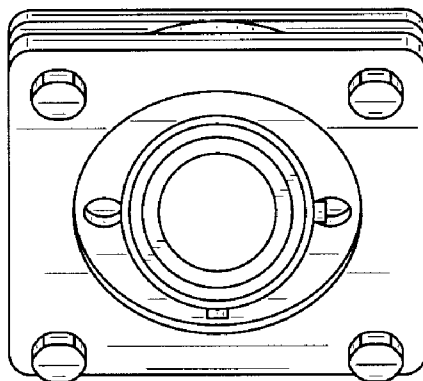


FIG. 7

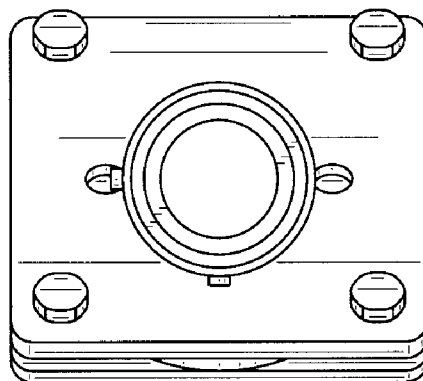


FIG. 8