



US00D844992S

(12) **United States Design Patent**
Seiders et al.

(10) **Patent No.:** **US D844,992 S**

(45) **Date of Patent:** **** Apr. 9, 2019**

- (54) **DUFFEL BAG**
- (71) Applicant: **YETI Coolers, LLC**, Austin, TX (US)
- (72) Inventors: **Roy Joseph Seiders**, Austin, TX (US);
Erik Steven Larson, Austin, TX (US);
Derek G. Sullivan, Austin, TX (US);
Alex Baires, Austin, TX (US); **Jeffrey Charles Munie**, Austin, TX (US)

5,140,833 A 8/1992 Whalen
 D434,900 S 12/2000 Spence, Jr. et al.
 6,338,180 B1 1/2002 Massard
 (Continued)

FOREIGN PATENT DOCUMENTS

CA 2300014 A1 8/2001
 CA 2327764 A1 6/2002
 (Continued)

- (73) Assignee: **YETI Coolers, LLC**, Austin, TX (US)
- (**) Term: **15 Years**
- (21) Appl. No.: **29/634,469**
- (22) Filed: **Jan. 22, 2018**

OTHER PUBLICATIONS

Amazon, "Seattle Sports FrostPak Soft Cooler", First reviewed Jun. 17, 2014, Accessed Jan. 31, 2016. (<https://www.amazon.com/Seattle-Sports-FrostPak-Soft-Cooler/dp/BOOLGZ28FI>).
 (Continued)

Primary Examiner — Holly H Baynham
 (74) *Attorney, Agent, or Firm* — Banner & Witcoff, Ltd.

Related U.S. Application Data

- (63) Continuation of application No. 29/580,484, filed on Oct. 10, 2016, now Pat. No. Des. 808,173.
- (51) **LOC (11) Cl.** **03-01**
- (52) **U.S. Cl.**
USPC **D3/318**
- (58) **Field of Classification Search**
USPC D3/246, 288–290, 318; D7/607
CPC .. A45C 1/024; A45C 3/06; A45C 5/00; A45C
7/00
See application file for complete search history.

(57) **CLAIM**
 The ornamental design for a duffel bag, as shown and described.

DESCRIPTION

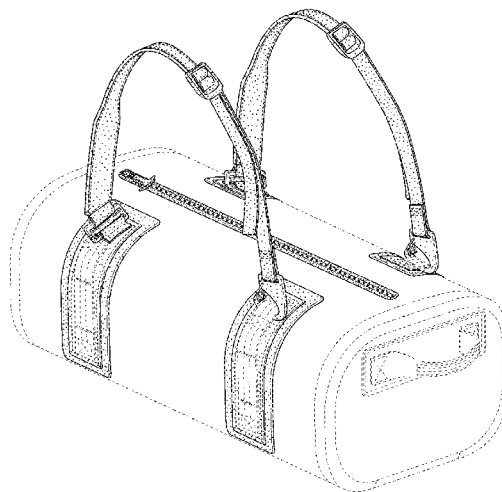
FIG. 1 is a top, front, right perspective view of a duffel bag showing our new design;
 FIG. 2 is a front view thereof;
 FIG. 3 is a rear view thereof;
 FIG. 4 is a right side view thereof;
 FIG. 5 is a left side view thereof; and,
 FIG. 6 is a top view thereof.
 The contrast in shading represents a contrast in appearance only and does not represent any particular color, material, texture or finish. The broken lines immediately adjacent to the shaded area represent stitching. The segmented line within the unshaded area represents a zipper. The other broken lines within the unshaded areas represent unclaimed boundaries of the design.

(56) **References Cited**

U.S. PATENT DOCUMENTS

D269,738 S *	7/1983	Stark	D3/290
D281,649 S	12/1985	Bomes et al.		
4,805,748 A	2/1989	Gerch		
D304,264 S	10/1989	Peregrine et al.		
D307,668 S	5/1990	Young		
5,005,679 A	4/1991	Hjelle		
5,007,250 A	4/1991	Musielak		
D328,389 S *	8/1992	Pardo	D3/290

1 Claim, 5 Drawing Sheets



(56)

References Cited

U.S. PATENT DOCUMENTS

6,409,066 B1 6/2002 Schneider et al.
 D465,924 S 11/2002 Gisser
 D481,540 S 11/2003 Van Himbeek
 D495,489 S 9/2004 Messina-Brown
 D509,959 S 9/2005 Nykoluk
 D516,307 S 3/2006 Koenig et al.
 D528,792 S * 9/2006 Marttila D3/276
 D535,820 S 1/2007 Kamiya
 7,207,426 B2 4/2007 Godshaw et al.
 D548,966 S 8/2007 Aliberti et al.
 7,334,684 B1 2/2008 Fontanilla et al.
 7,344,028 B2 3/2008 Hanson
 D569,610 S * 5/2008 Wang D3/246
 D575,059 S 8/2008 Cappiello et al.
 7,597,478 B2 10/2009 Pruchnicki et al.
 D609,466 S 2/2010 Stulman
 D620,708 S 8/2010 Sanz
 7,861,857 B2 1/2011 Vorderkunz
 D632,888 S 2/2011 Jobert
 D648,533 S 11/2011 Sosnovsky
 D661,085 S 6/2012 Custer
 D667,043 S 9/2012 Couch, III
 D667,219 S * 9/2012 Munson D3/290
 D674,603 S 1/2013 Gerbi
 8,453,899 B1 6/2013 Calkin
 D688,457 S 8/2013 Harris
 D688,458 S * 8/2013 Harris D3/285
 D689,283 S 9/2013 Berkowitz
 D692,662 S 11/2013 Pignotti
 D698,150 S 1/2014 Sabounjian
 8,695,770 B2 4/2014 Santy
 D713,639 S 9/2014 Whitlock et al.
 D717,040 S 11/2014 Swartzel et al.
 D725,903 S 4/2015 Kuster et al.
 D727,017 S 4/2015 Aberg et al.
 D732,824 S 6/2015 Tzortzis
 D738,107 S 9/2015 Adler et al.
 D738,108 S 9/2015 Adler et al.
 9,138,036 B2 9/2015 Andreasson et al.
 D740,550 S 10/2015 Shabou
 D740,551 S 10/2015 Shabou
 D740,552 S 10/2015 Shabou
 D742,646 S 11/2015 Amago
 D745,778 S 12/2015 Shabou
 9,215,918 B2 12/2015 Kao et al.
 D747,873 S 1/2016 Peng
 D749,318 S 2/2016 LoNigro
 D758,075 S 6/2016 Quarry et al.
 D761,562 S 7/2016 Venturini Fendi
 D766,571 S 9/2016 Boroski
 D770,761 S 11/2016 Deioma et al.
 D777,425 S 1/2017 Shin et al.
 D782,820 S 4/2017 Thompson
 D784,908 S 4/2017 Kalchuri et al.
 D785,325 S 5/2017 Samrelius et al.
 D789,682 S 6/2017 Maeng
 D792,167 S 7/2017 Bradley
 D794,323 S 8/2017 Dumas
 D794,947 S 8/2017 Gavriel et al.
 D802,298 S 11/2017 Sassi
 D805,851 S 12/2017 Sullivan et al.
 D808,173 S 1/2018 Seiders et al.
 D808,174 S 1/2018 Seiders et al.
 D808,175 S 1/2018 Seiders et al.
 D808,225 S 1/2018 Seiders et al.
 D810,435 S 2/2018 Hoppe et al.

D811,738 S 3/2018 Dumas
 D811,746 S 3/2018 Seiders et al.
 D812,898 S 3/2018 Lai
 D813,539 S 3/2018 Van Assche
 D817,107 S 5/2018 Larson et al.
 D819,327 S 6/2018 Jusic
 D822,987 S * 7/2018 Seiders D3/246
 D822,997 S 7/2018 Seiders et al.
 D822,999 S * 7/2018 Seiders D3/318
 D823,602 S * 7/2018 Seiders D3/318
 D825,276 S 8/2018 Seiders et al.
 2005/0263432 A1 12/2005 Hanson
 2006/0065500 A1 3/2006 Herrig
 2008/0142558 A1 6/2008 Dexter
 2014/0248003 A1 9/2014 Mogil et al.
 2014/0270591 A1 9/2014 Joly
 2016/0206061 A1 7/2016 Ford
 2016/0278491 A1 9/2016 Amago

FOREIGN PATENT DOCUMENTS

CA 150323 12/2013
 CA 150461 12/2013
 CN 302623928 11/2013
 CN 302852751 6/2014
 CN 302946709 9/2014
 CN 303092550 2/2015
 CN 303620433 3/2016
 EM 002307702-0003 9/2013
 EM 002333591-0015 10/2013
 EM 002348797-0001 11/2013
 EM 002309591-0001 12/2013
 EM 002309591-0002 12/2013
 EM 002309591-0003 12/2013
 EM 002309591-0005 12/2013
 EM 002309591-0006 12/2013
 EM 002309591-0007 12/2013
 EM 002309591-0008 12/2013
 EM 002309591-0009 12/2013
 EM 002520213-0005 8/2014
 EM 002599944-0001 1/2015
 EM 002629964-0001 2/2015
 EM 002119362-0001 4/2015
 EM 002639724-0002 5/2015
 EM 002734988-0003 7/2015
 EM 002734988-0004 7/2015
 EM 002760678-0005 9/2015
 EM 002906594-0010 12/2015
 EM 003146869-0001 8/2016
 EM 003359199-0001 9/2016
 EM 003359199-0002 9/2016
 GB 4041233 8/2015
 JP D1475659 7/2013
 KR 300687326.0000 4/2013
 WO D079659-001 12/2012

OTHER PUBLICATIONS

Kuiu, "Taku 3000", Accessed May 10, 2017. (<http://www.kuiu.com/gear-bags/taku-3000/96004.html>).
 Amazon, "Seattle Sports Seattle Sports Downstream Duffel", First reviewed Oct. 26, 2009. Accessed Sep. 27, 2017. (<https://www.amazon.com/Seattle-Sports-FrostPak-Soft-Cooler/dp/BOOLGZ28FI>).
 Seattle Sports, "Wet/Dry Toploader Duffel", Accessed Sep. 27, 2017. (<http://www.seattlesportsco.com/custom-gear/wetdry-toploader-duffel.html>).

* cited by examiner

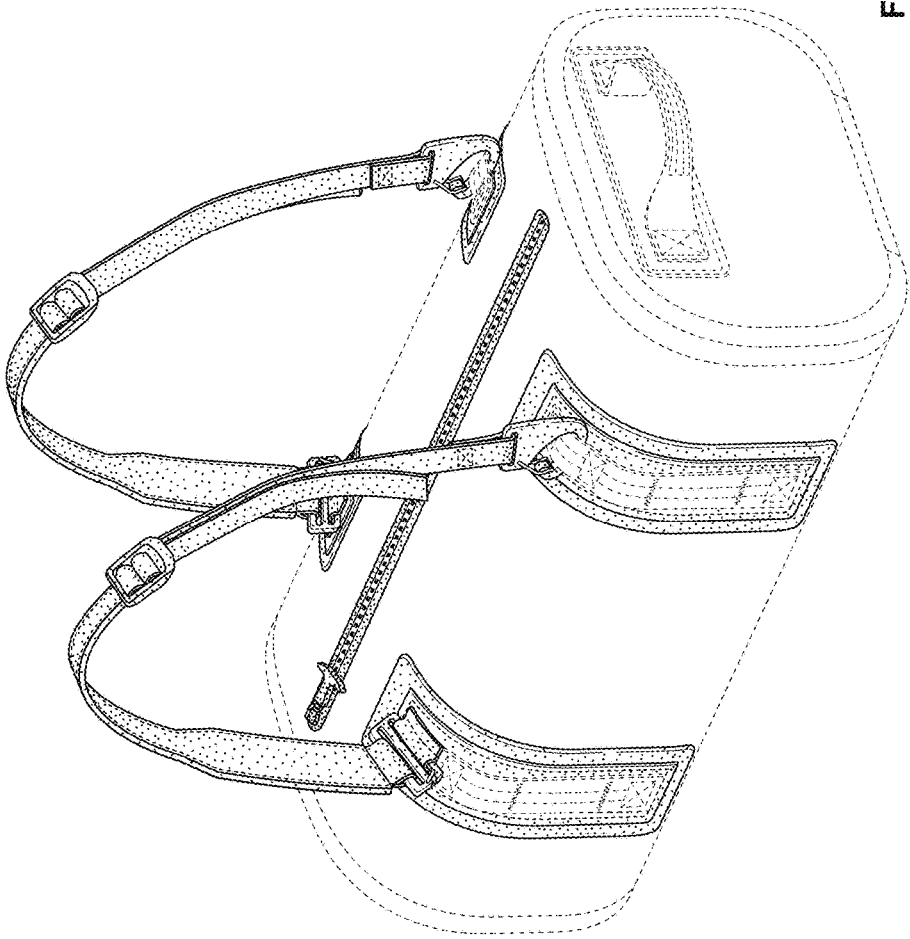


FIG. 1

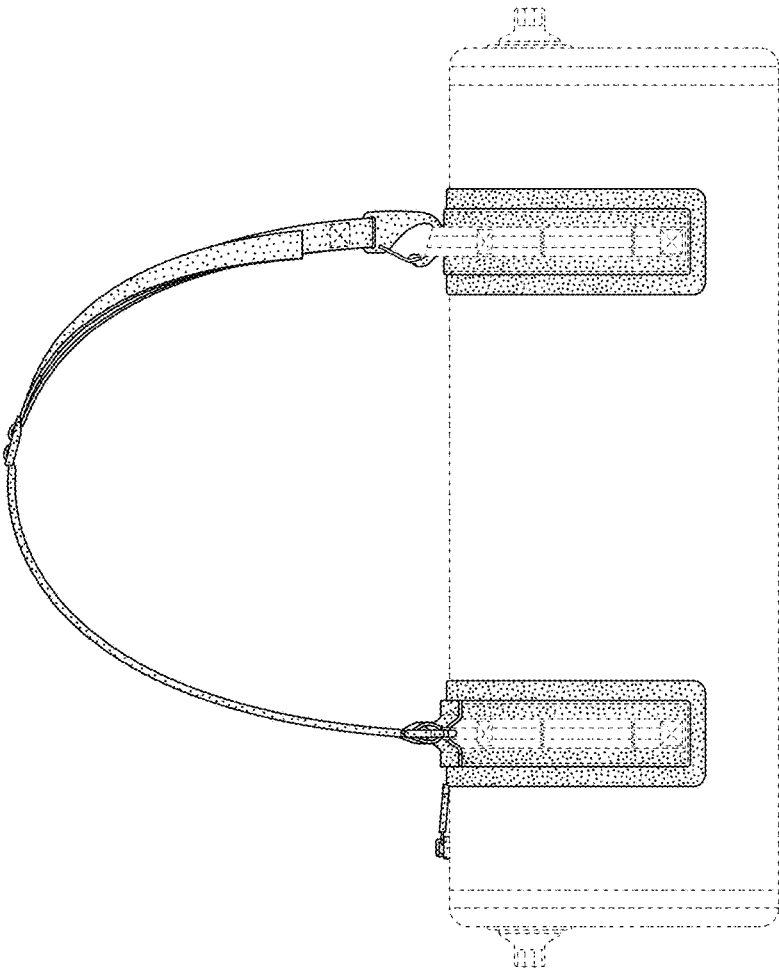


FIG. 2

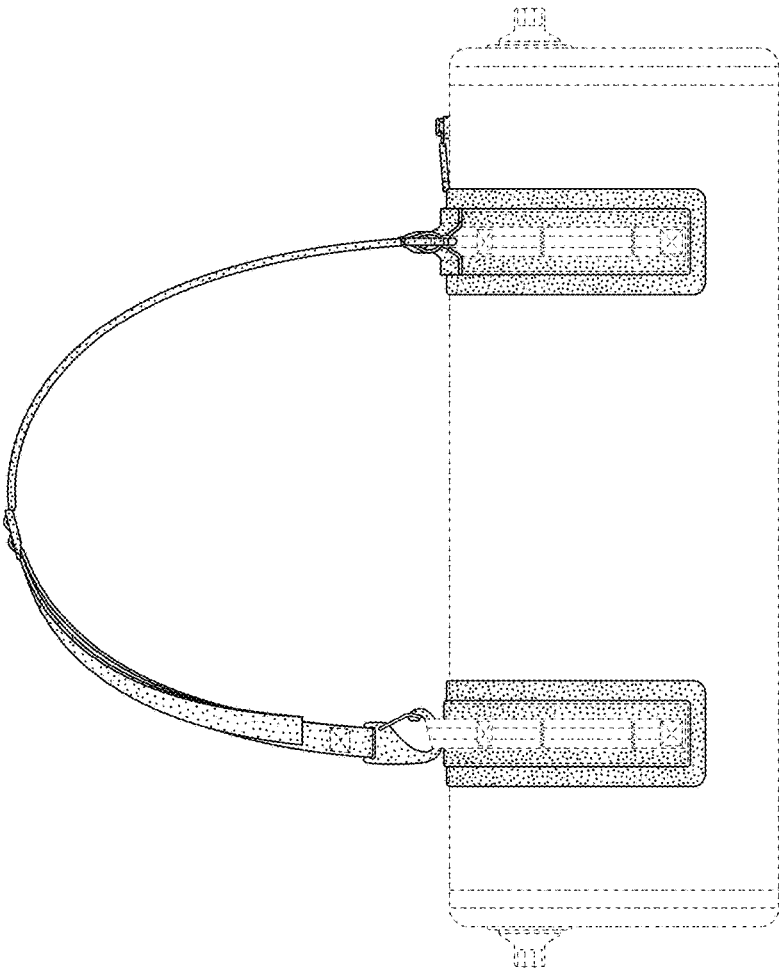


FIG. 3

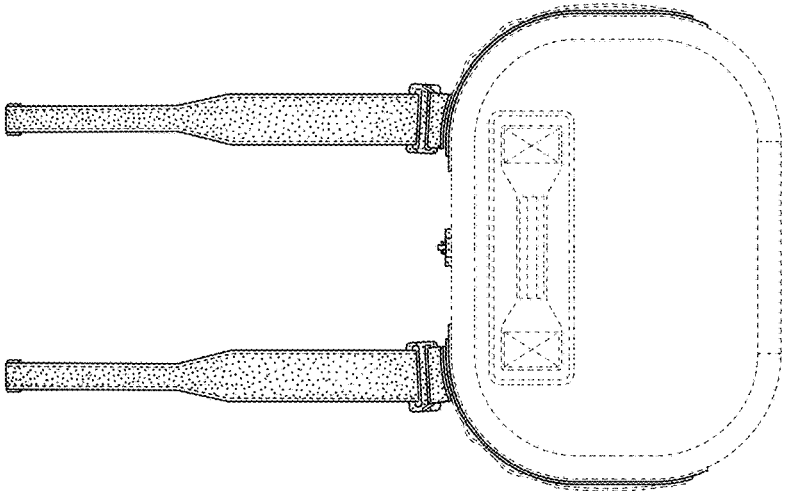


FIG. 5

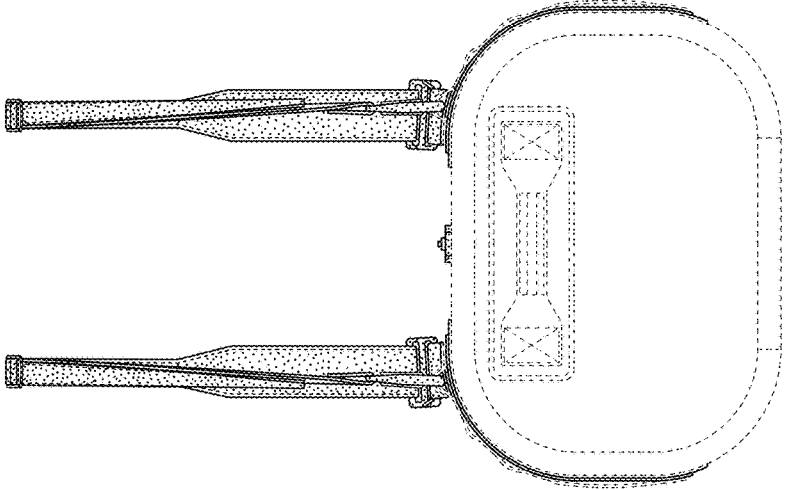


FIG. 4

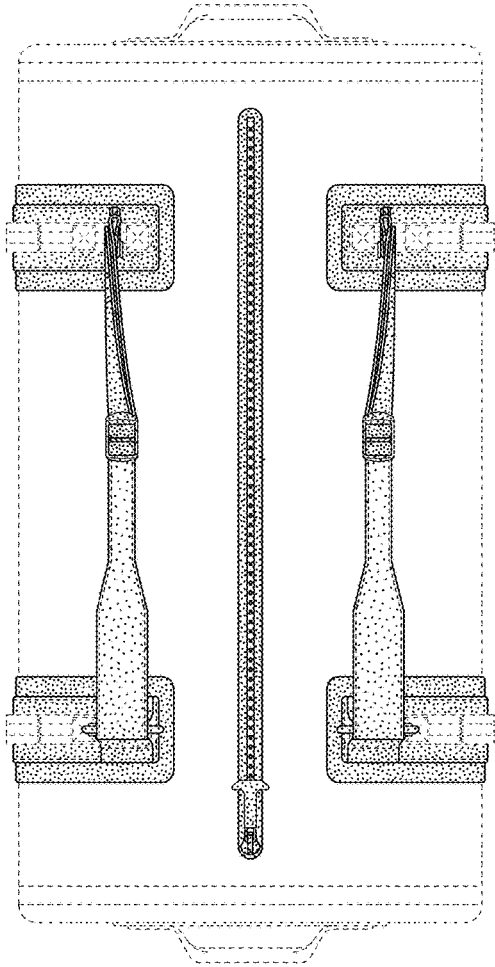


FIG. 6