



(12) **United States Design Patent**  
**Blackwood et al.**

(10) **Patent No.:** **US D919,032 S**  
(45) **Date of Patent:** **\*\* May 11, 2021**

- (54) **SWING SEAT** 2,358,098 A 9/1944 Pippin
- 2,524,967 A 10/1950 Ellis
- (71) Applicant: **PlayCore Wisconsin, Inc.,** 3,011,825 A \* 12/1961 Hannas ..... A63G 9/00  
Chattanooga, TN (US) 297/245
- 3,825,299 A \* 7/1974 Gaucher ..... A47C 3/0255  
297/157.1
- (72) Inventors: **Kim Corvin Blackwood,** Boaz, AL 3,918,709 A 11/1975 Bishop  
(US); **Thomas Robert Norquist,** Fort 4,256,300 A 3/1981 Boucher  
Payne, AL (US); **Brian K. Henry,** Fort 4,417,725 A \* 11/1983 Van Horn ..... A63G 9/00  
Payne, AL (US) 428/542.2

(Continued)

- (73) Assignee: **PLAYCORE WISCONSIN, INC.,**  
Chattanooga, TN (US)
- (\*\*) Term: **15 Years**

FOREIGN PATENT DOCUMENTS

EP 2067510 6/2009

- (21) Appl. No.: **29/703,071**
- (22) Filed: **Aug. 23, 2019**

OTHER PUBLICATIONS

Lee Ji-Sun swing picture from Pinterest, printed on May 8, 2013.

**Related U.S. Application Data**

- (62) Division of application No. 29/634,440, filed on Jan. 22, 2018, now Pat. No. Des. 863,486.
- (51) **LOC (13) Cl.** ..... **21-02**
- (52) **U.S. Cl.**  
USPC ..... **D21/823**
- (58) **Field of Classification Search**  
USPC ..... D21/811, 814, 822-825  
CPC ..... A63G 9/00-9/22  
See application file for complete search history.

*Primary Examiner* — Mitchell I. Siegel

(74) *Attorney, Agent, or Firm* — McAndrews, Held & Malloy, Ltd.

**CLAIM**

(57) The ornamental design for a swing seat, as shown and described.

**DESCRIPTION**

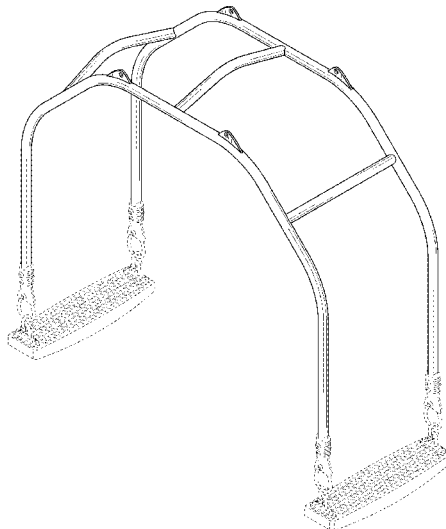
FIG. 1 is top, front, right side perspective view of a first embodiment of a swing seat showing our new design; FIG. 2 is a left side elevational view thereof; FIG. 3 is a right side elevational view thereof; FIG. 4 is a front elevational view thereof; FIG. 5 is a rear elevational view thereof; FIG. 6 is a top plan view thereof; FIG. 7 is a bottom plan view thereof; and, FIG. 8 is a top, front, right side perspective view thereof, including additional unclaimed environmental features. The broken lines shown on the drawing figures form no part of the claimed design.

(56) **References Cited**

U.S. PATENT DOCUMENTS

- 317,028 A \* 5/1885 Shields ..... B64D 11/06  
297/245
- 383,533 A 5/1888 Bettes
- 383,553 A \* 5/1888 Bettes ..... A47D 13/10  
472/123
- 623,254 A \* 4/1899 McGlamery ..... A47D 11/005  
297/7
- 868,640 A \* 10/1907 Buch ..... A47C 3/0255  
297/278
- 1,886,904 A 11/1932 Rice

**1 Claim, 6 Drawing Sheets**





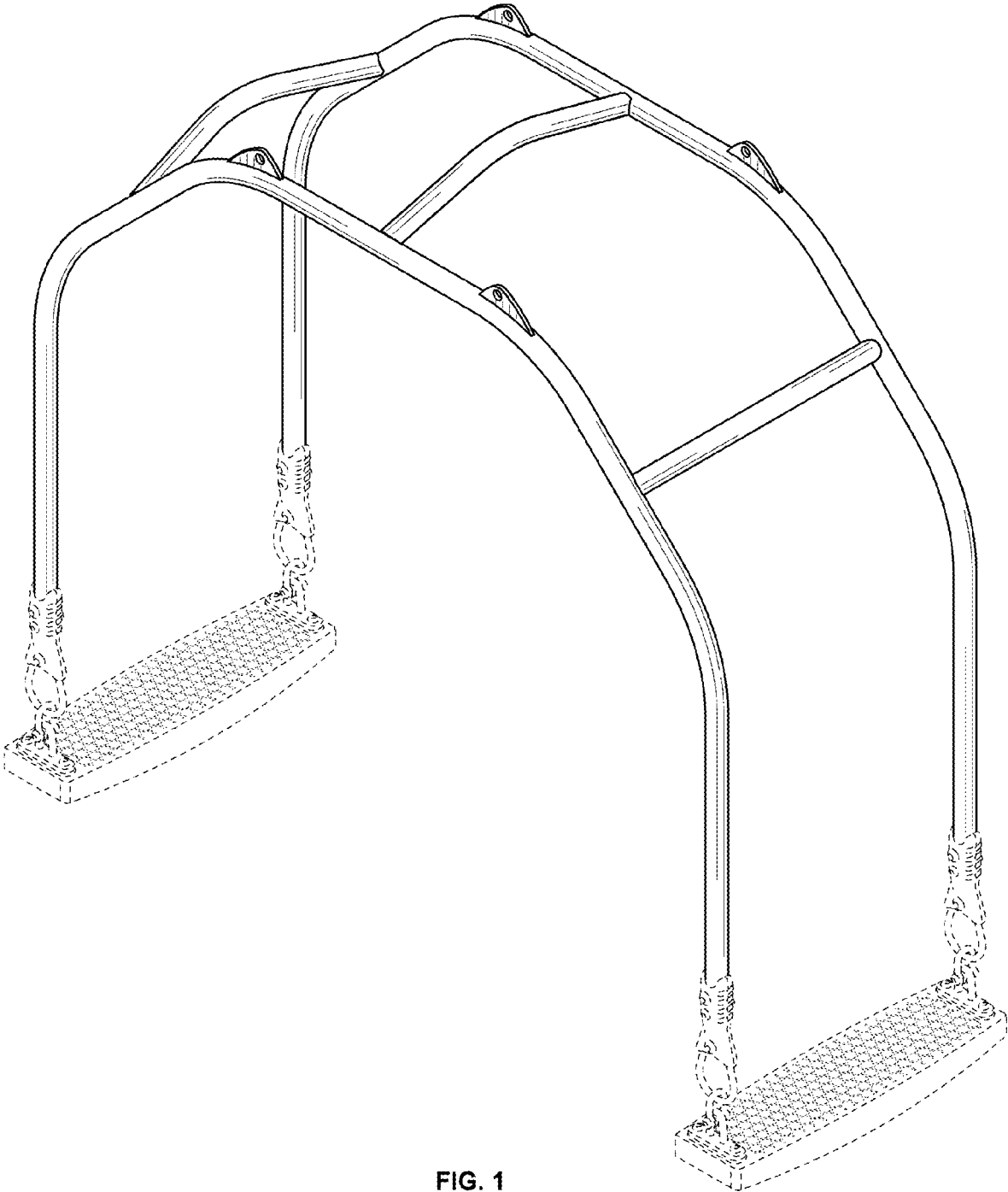


FIG. 1

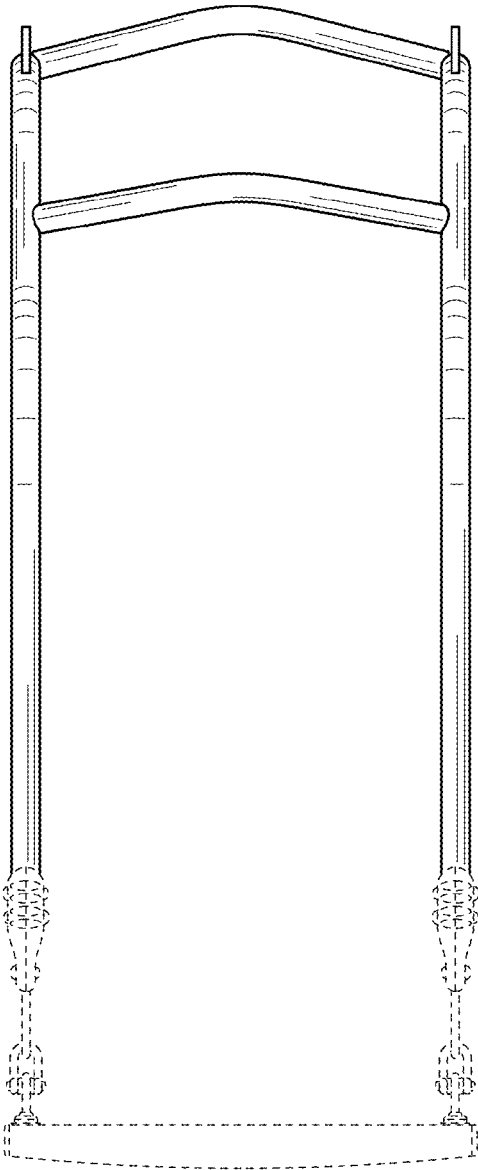


FIG. 2

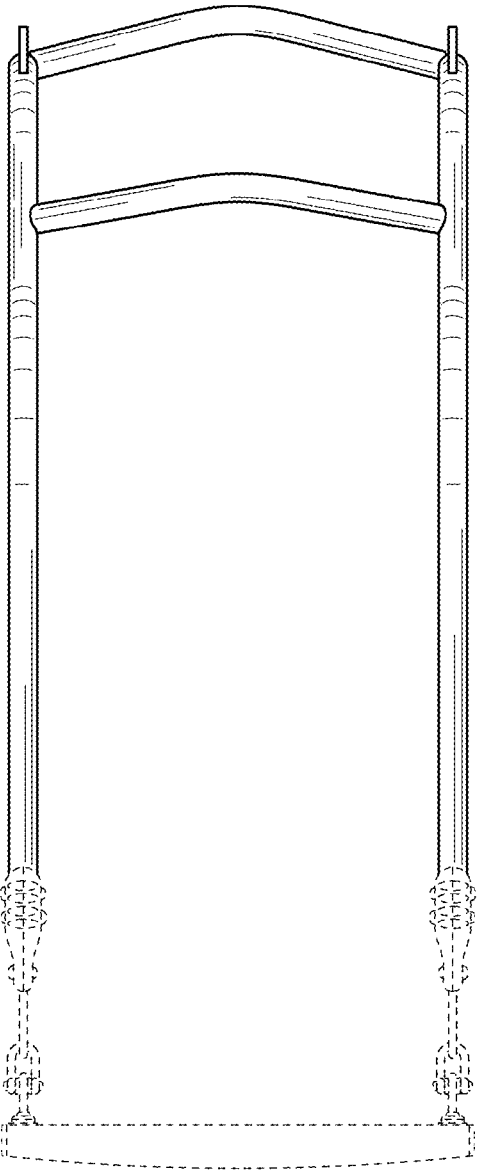


FIG. 3

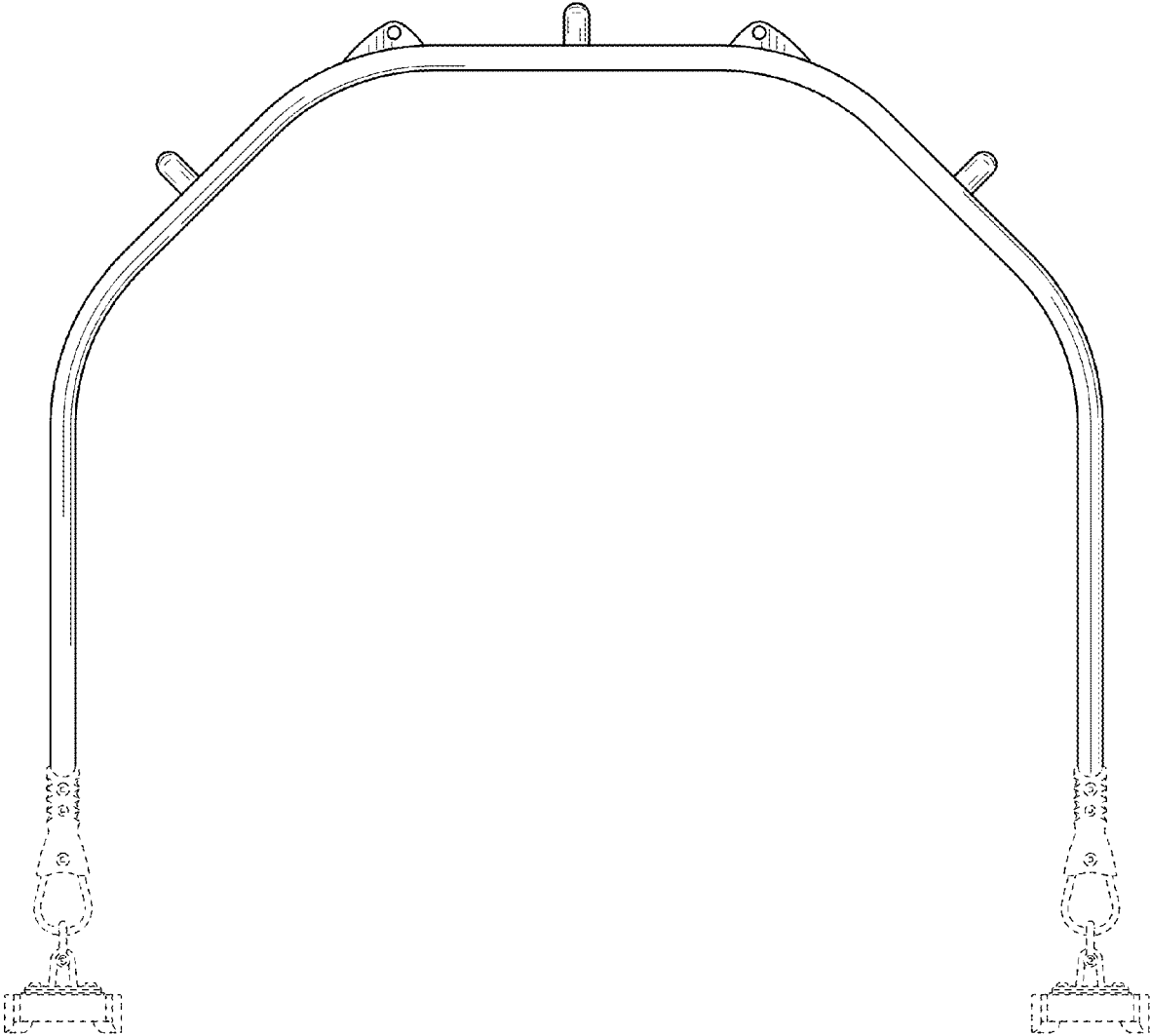


FIG. 4

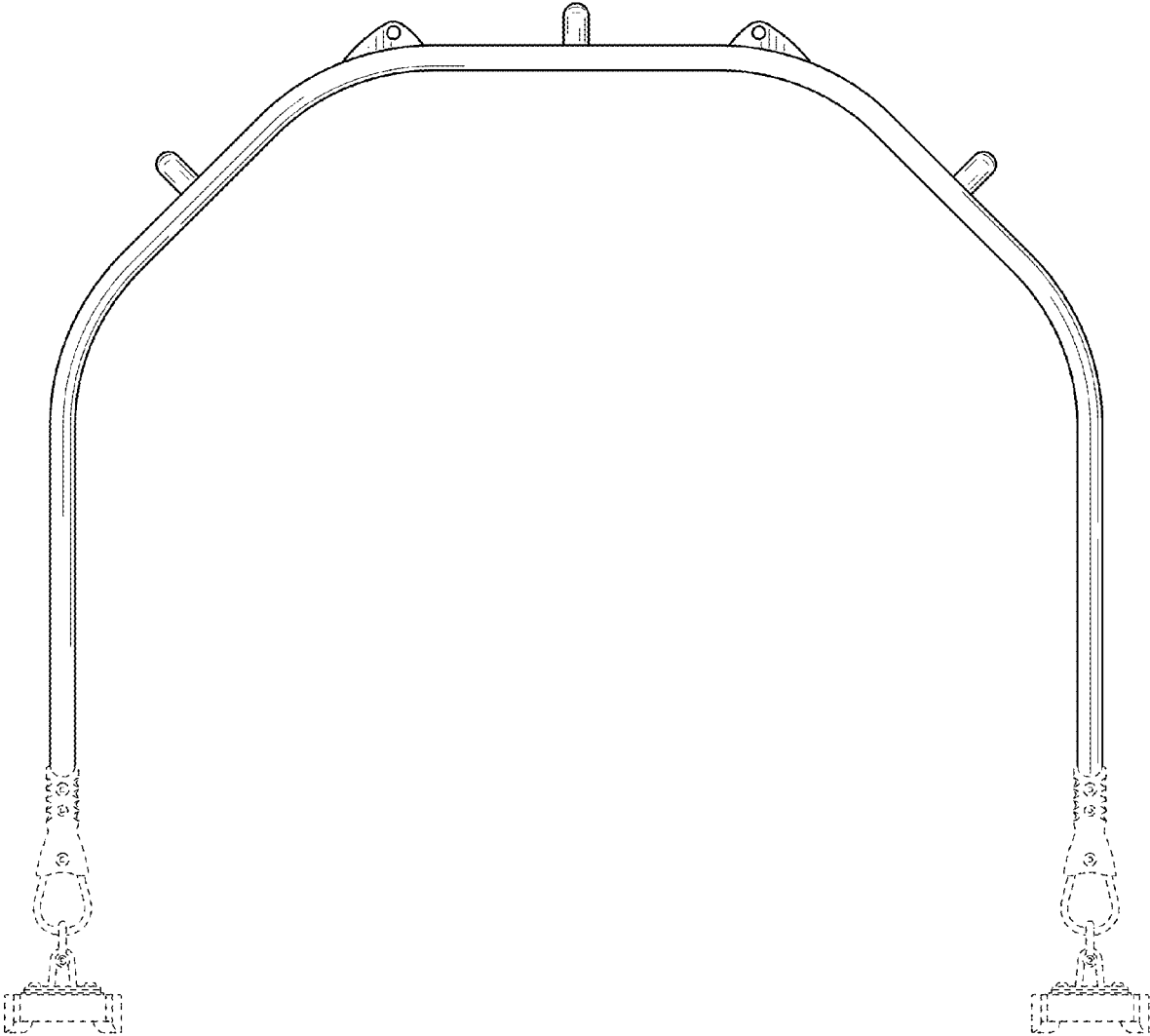


FIG. 5

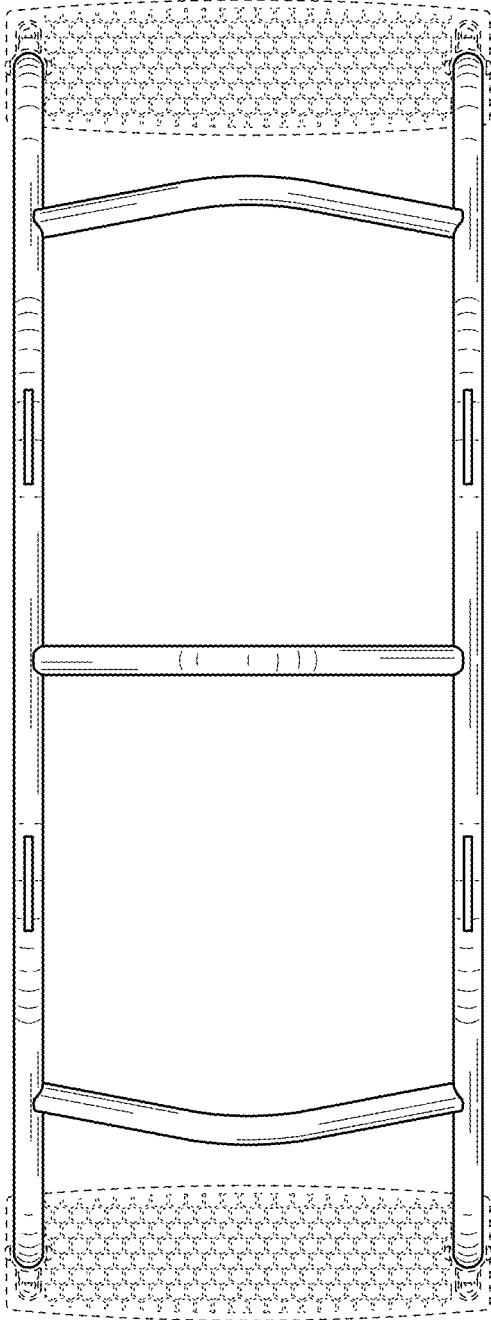


FIG. 6

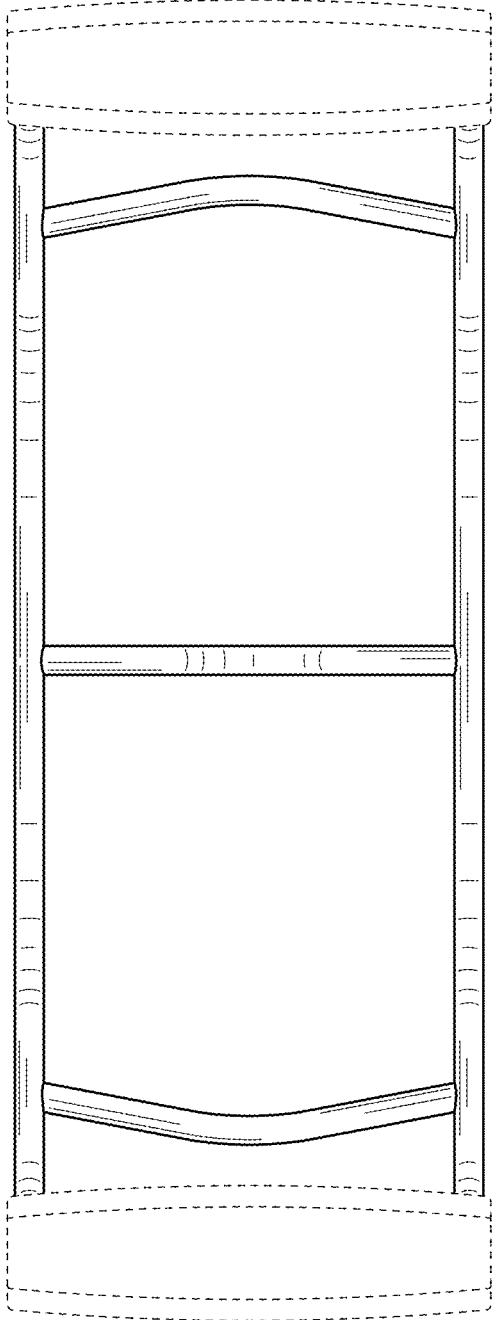


FIG. 7

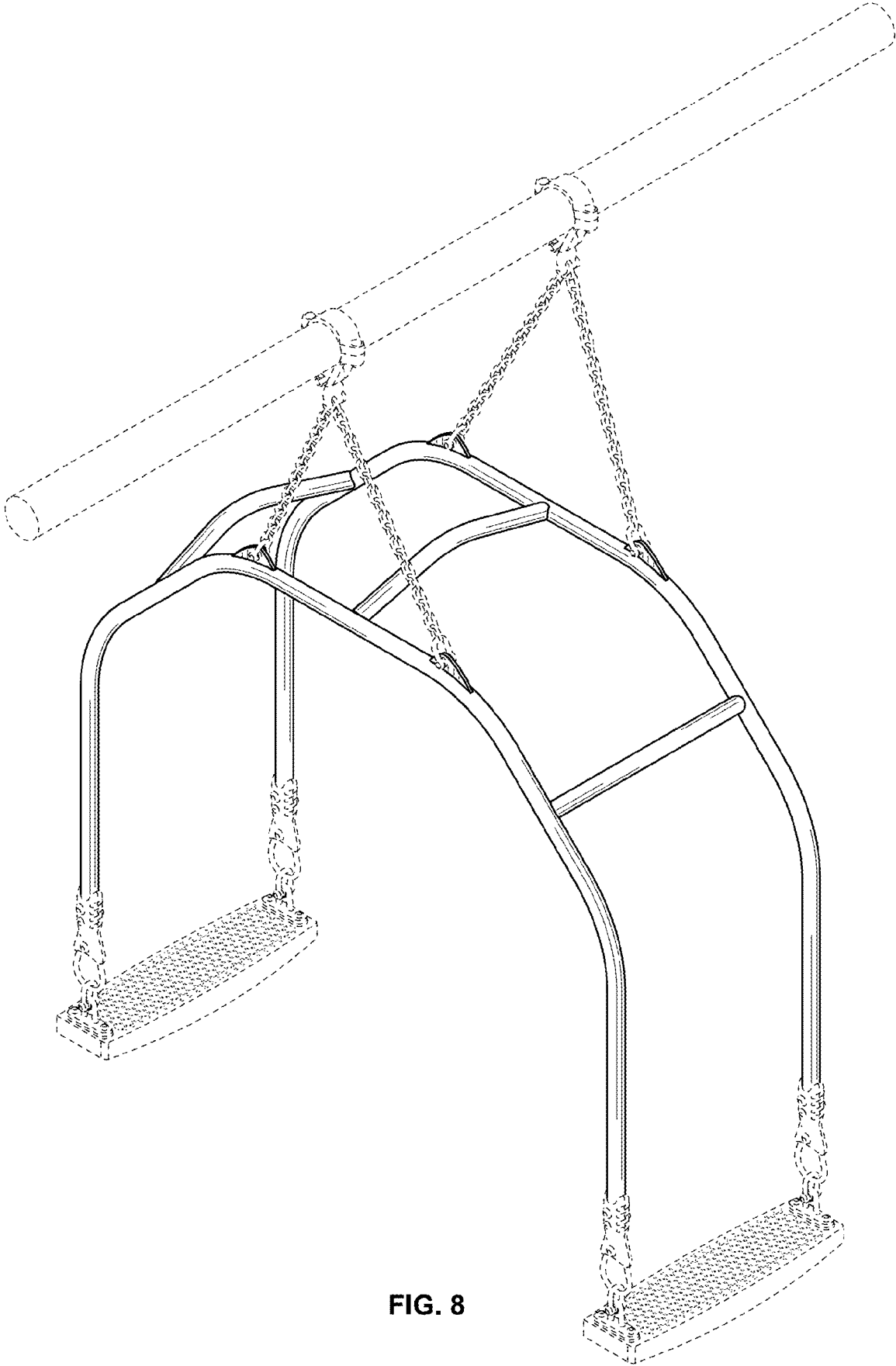


FIG. 8