



US00D878919S

(12) **United States Design Patent**
Randazzo et al.

(10) **Patent No.:** **US D878,919 S**

(45) **Date of Patent:** **** Mar. 24, 2020**

(54) **BOTTLE**

(71) Applicant: **Design 24 Societa Benefit S.r.l.**,
Castenaso (IT)

(72) Inventors: **Giovanni Randazzo**, Castenaso (IT);
Matteo Melotti, Castenaso (IT)

(73) Assignee: **DESIGN 24 SOCIETA BENEFIT S.R.L.**, Villanova di Castenaso (IT)

(**) Term: **15 Years**

(21) Appl. No.: **29/635,563**

(22) Filed: **Jan. 31, 2018**

(30) **Foreign Application Priority Data**

Aug. 18, 2017 (EM) 004153310-0001

(51) **LOC (12) Cl.** **09-01**

(52) **U.S. Cl.**
USPC **D9/503; D9/454**

(58) **Field of Classification Search**
USPC D9/434-435, 454, 500, 502-505, 516,
D9/549, 558, 715, 719; D7/509-511, 608
CPC B65D 1/00; B65D 1/02; B65D 1/0223;
B65D 23/00; B65D 81/00; B65D
2501/00; B65D 2501/0009

See application file for complete search history.

(56) **References Cited**

U.S. PATENT DOCUMENTS

D407,979 S *	4/1999	Zemlo	D9/454
D428,812 S *	8/2000	Bakic	D9/439
D624,417 S *	9/2010	Bentley	D9/500
D628,072 S *	11/2010	Rossi	D9/503
D697,407 S *	1/2014	Hines	D9/500
D785,455 S *	5/2017	James	D9/503
D799,967 S *	10/2017	Wade	D9/500
D804,309 S *	12/2017	Hines	D9/500
D805,918 S *	12/2017	Matthieu	D9/500
D867,519 S *	11/2019	Furgurson	D23/205
2011/0049083 A1 *	3/2011	Scott	B65D 1/0276 215/371

* cited by examiner

Primary Examiner — Dana Meyrow

(74) *Attorney, Agent, or Firm* — FisherBroyles, LLP

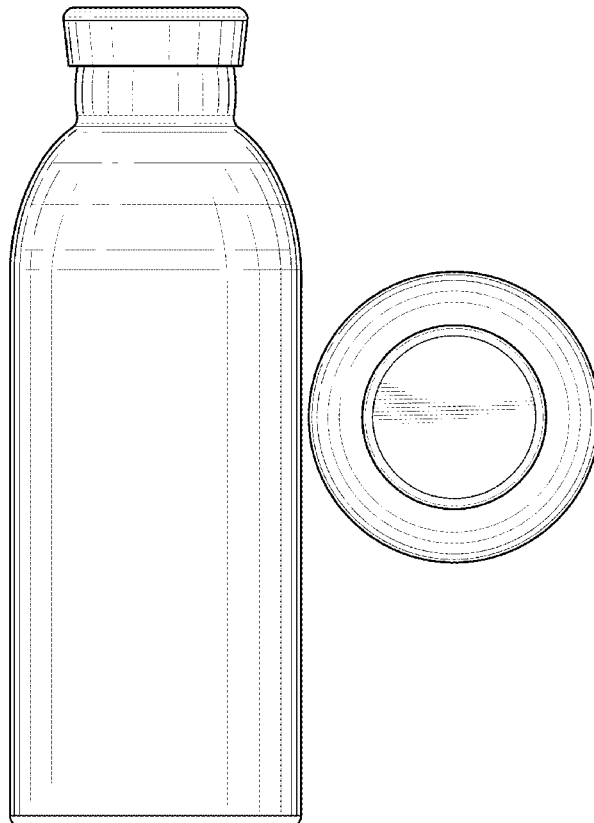
(57) **CLAIM**

The ornamental design for a bottle, as shown and described.

DESCRIPTION

FIG. 1 is a side view of a bottle embodying the design, all sides being identical;
FIG. 2 is a top view thereof;
FIG. 3 is a bottom view thereof;
FIG. 4 is a bottom and side perspective view thereof; and,
FIG. 5 is a top and side perspective view thereof.

1 Claim, 4 Drawing Sheets



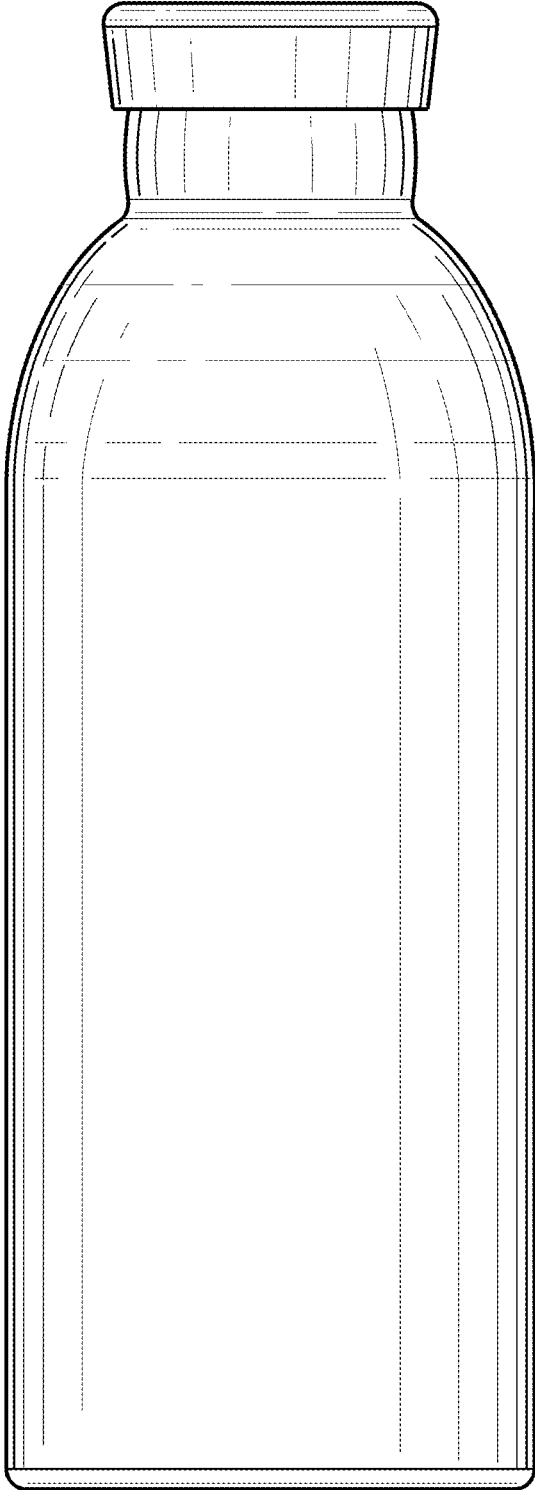


FIG. 1

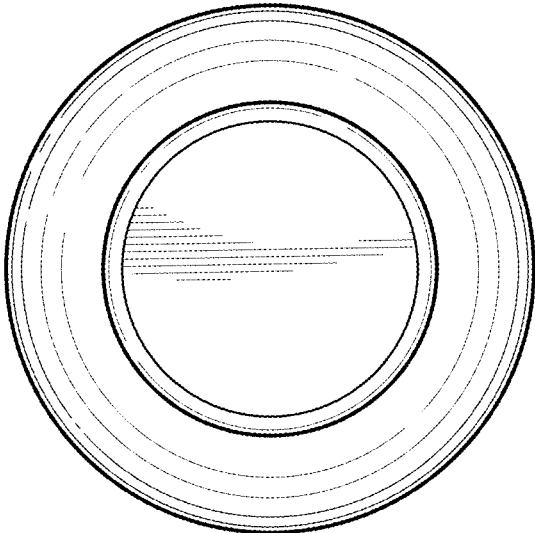


FIG. 2

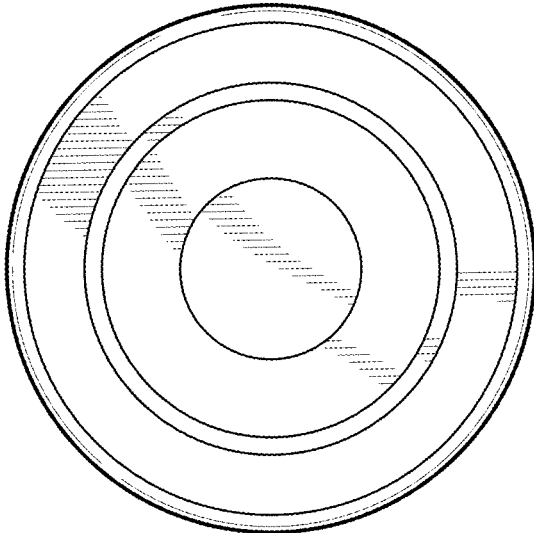


FIG. 3

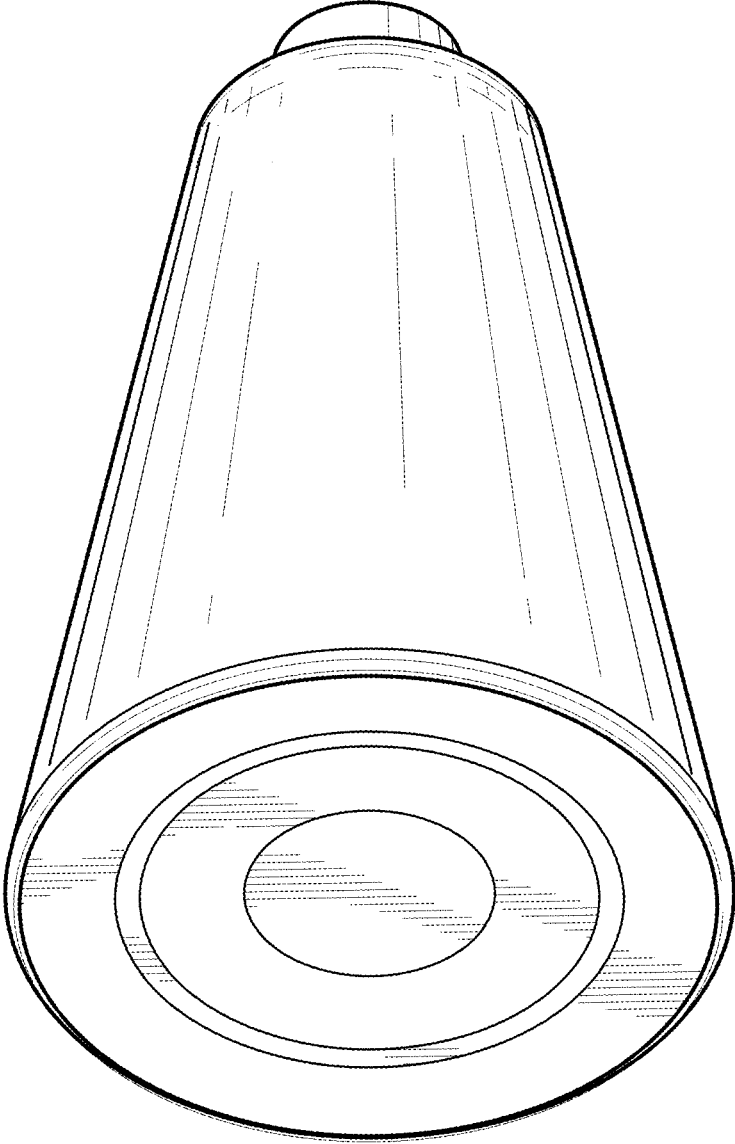


FIG. 4

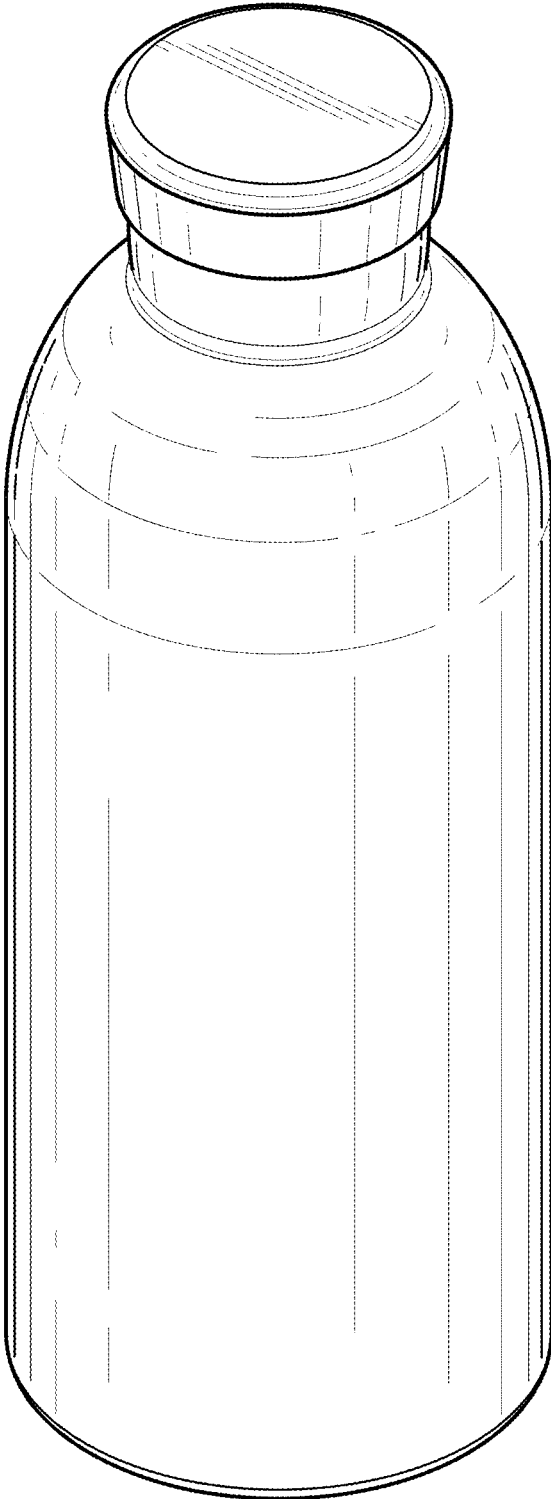


FIG. 5