



US0D1029899S

(12) **United States Design Patent**
Qin

(10) **Patent No.:** **US D1,029,899 S**

(45) **Date of Patent:** **** Jun. 4, 2024**

(54) **AUTOMATIC TUMBLER HEAT PRESS MACHINE**

OTHER PUBLICATIONS

(71) Applicant: **Shenzhen Yannuo Technology Co., Ltd.**, Shenzhen (CN)

Go2craft, Auto Seamless Tumbler Heat Press Machine for Full Print, (first available Nov. 22, 2023), Amazon.com, URL:<https://www.amazon.com/GO2CRAFT-Seamless-Automatic-Rotation-Advanced/dp/B0CNSJTWBV> (Year: 2023).*

(72) Inventor: **Shixi Qin**, Shenzhen (CN)

Realkant, Automatic Tumbler Heat Press Machine, (first available Apr. 2, 2023), Amazon.com, URL:<https://www.amazon.com/Realkant-Automatic-Sublimation-Straight-Tumblers/dp/B0BW8VS11M> (Year: 2023).*

(73) Assignee: **Shenzhen Yannuo Technology Co., Ltd.**, Shenzhen (CN)

Htvront, Auto Tumbler Heat Press Machine, (first available Aug. 21, 2023), Amazon.com, URL:<https://www.amazon.com/HTVRONT-Auto-Tumbler-Press-Machine/dp/B0CG166C88> (Year: 2023).*

(**) Term: **15 Years**

* cited by examiner

(21) Appl. No.: **29/931,946**

(22) Filed: **Mar. 11, 2024**

Primary Examiner — Calvin E Vansant

(51) **LOC (14) Cl.** **15-10**

Assistant Examiner — Mark T. Philipps

(52) **U.S. Cl.**

(74) *Attorney, Agent, or Firm* — George D. Morgan

USPC **D15/146**

(58) **Field of Classification Search**

USPC D7/336, 337, 352, 356, 362, 602;

D15/122, 123, 144, 146; D18/50, 53

CPC .. B41F 16/00; B41F 16/0026; B41F 16/0093;

B41F 1/38; B30B 15/047; B30B 15/061;

B30B 15/064; B30B 15/34; B41M 1/34;

B41M 1/40; B41M 5/03; B41M 5/035;

B44C 1/1712; B44C 1/1716

See application file for complete search history.

(57) **CLAIM**

The ornamental design for an automatic tumbler heat press machine, as shown and described.

DESCRIPTION

FIG. 1 is a front perspective view of an automatic tumbler heat press machine, showing my new design;

FIG. 2 is a front view thereof;

FIG. 3 is a rear view thereof;

FIG. 4 is a left side view thereof;

FIG. 5 is a right side view thereof;

FIG. 6 is a top view thereof; and,

FIG. 7 is a bottom view thereof.

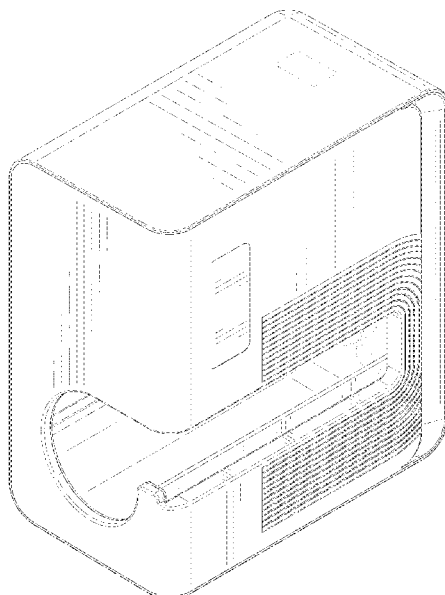
The broken lines in the drawings illustrate the portions of the automatic tumbler heat press machine, which form no part of the claimed design.

(56) **References Cited**

U.S. PATENT DOCUMENTS

D291,703	S	*	9/1987	Fink	D18/15
D947,262	S	*	3/2022	Chen	D15/144.1
D967,881	S	*	10/2022	Zhou	D15/144
D969,188	S	*	11/2022	Zhou	D15/144
D974,421	S	*	1/2023	Wang	D15/144.1
D984,502	S	*	4/2023	Liu et al.	
D988,380	S	*	6/2023	Qin	D15/144
D994,735	S	*	8/2023	Crisp	D15/144.1
2007/0209763	A1	*	9/2007	Chen	B41F 16/00 156/583.1

1 Claim, 7 Drawing Sheets



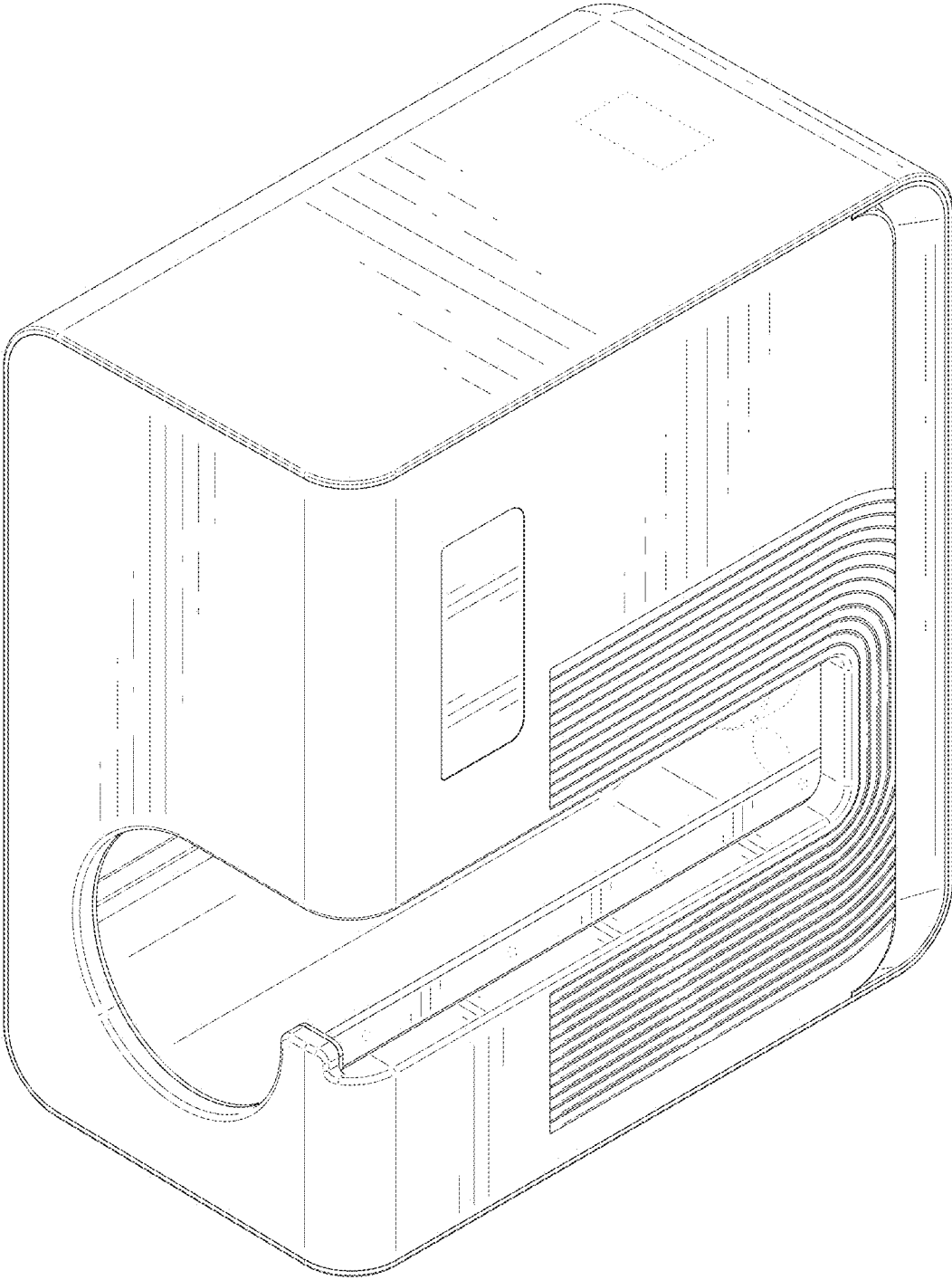


FIG. 1

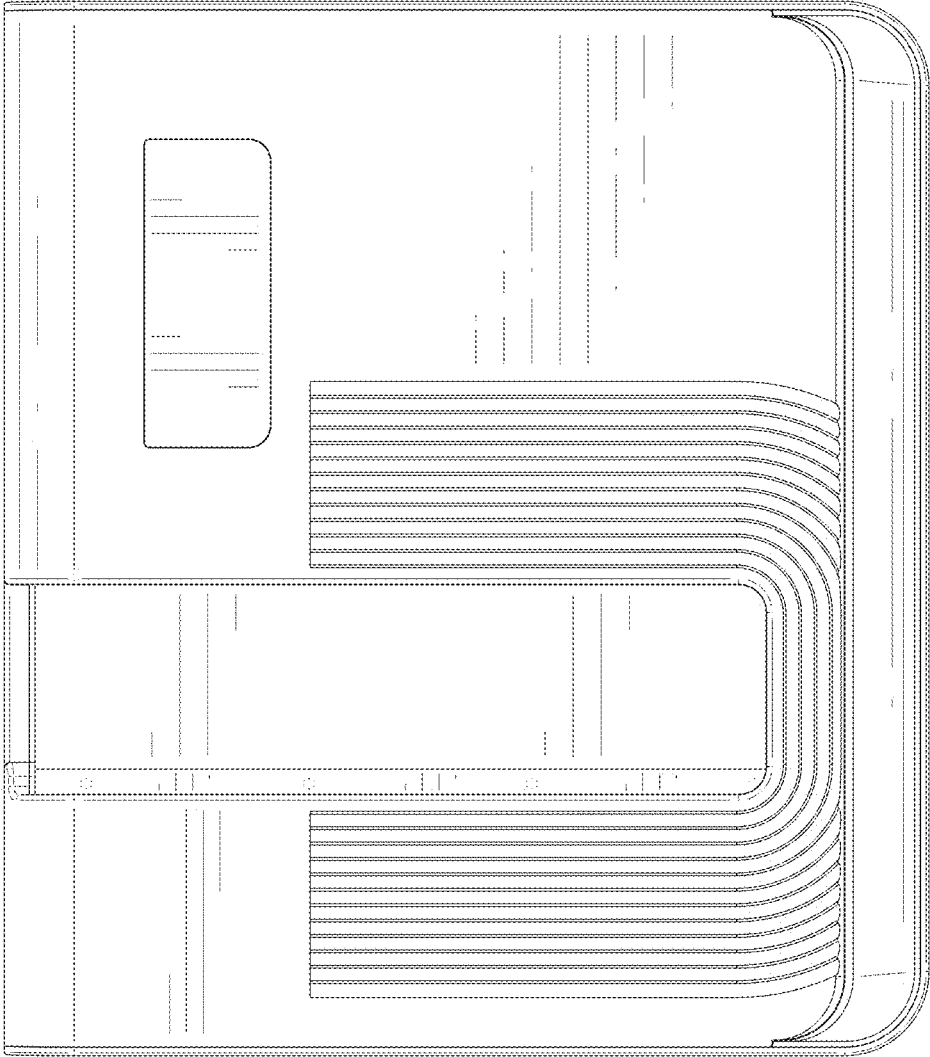


FIG. 2

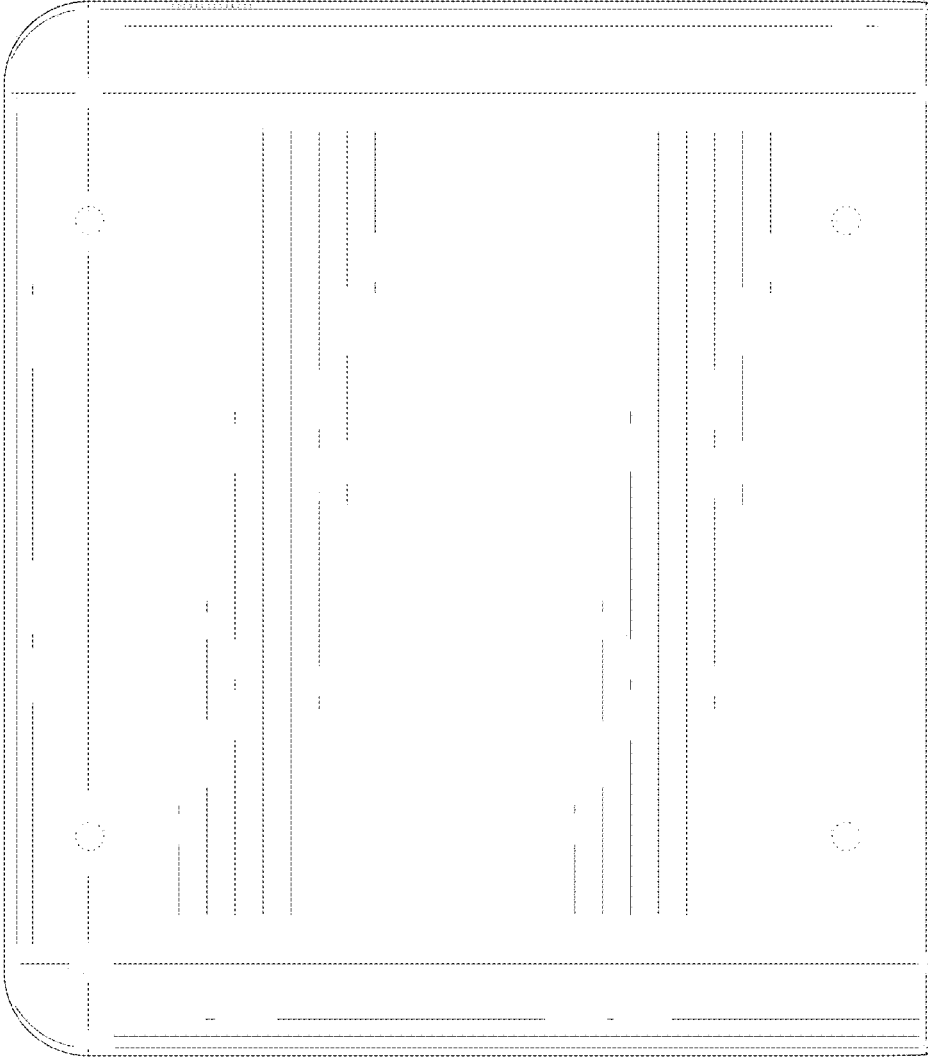


FIG. 3

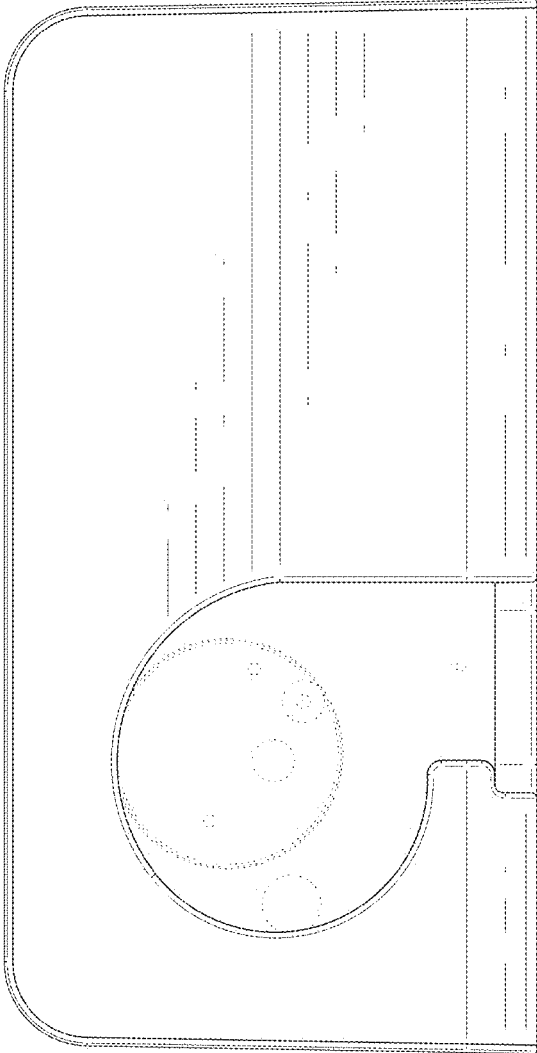


FIG. 4

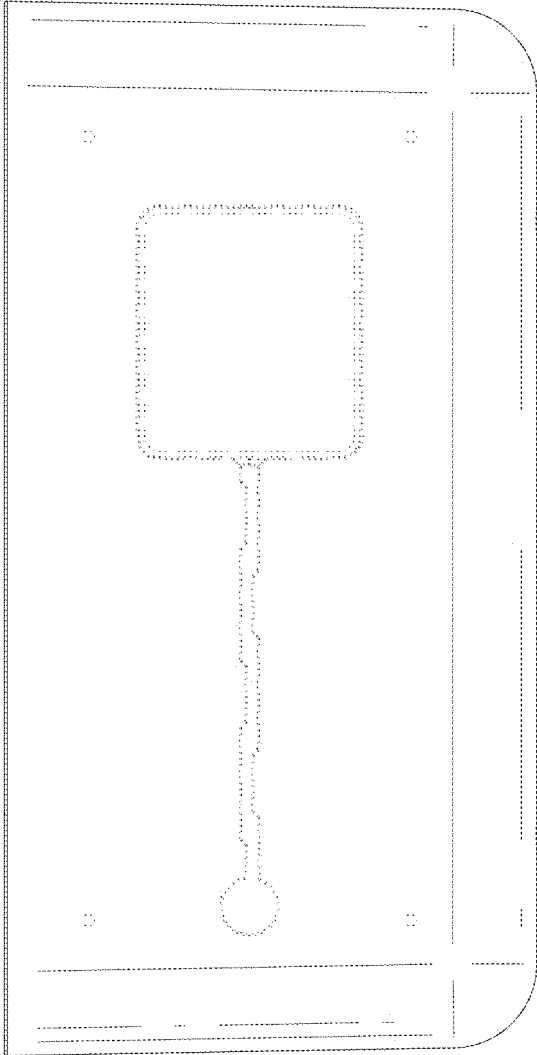


FIG. 5

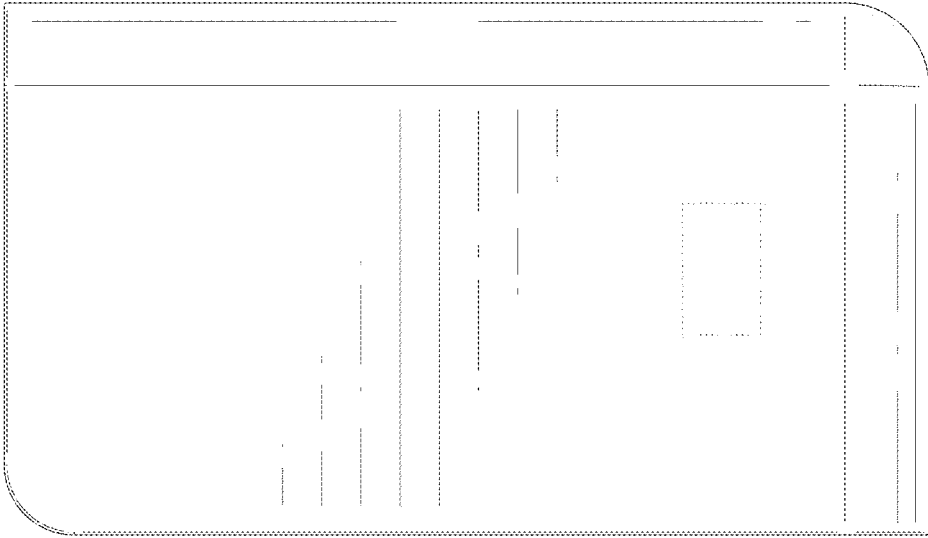


FIG. 6

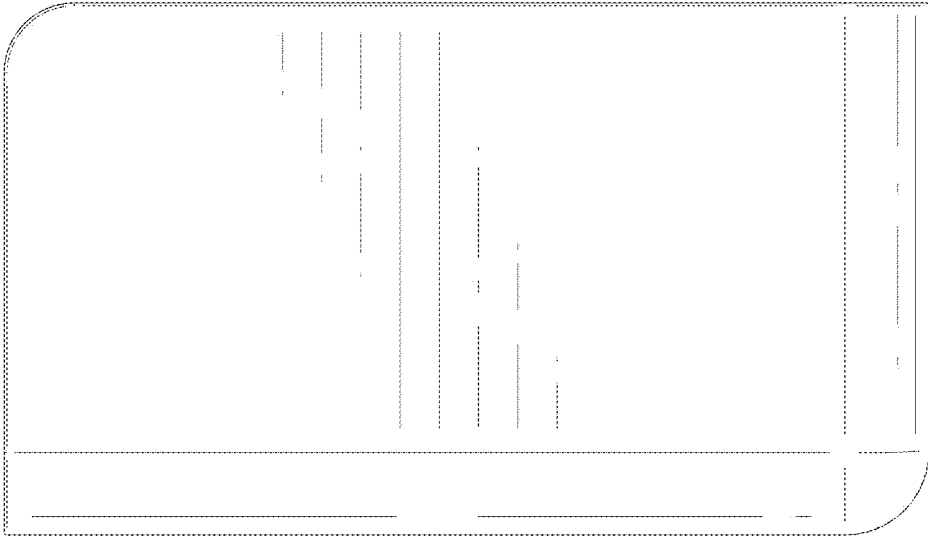


FIG. 7