

(12) **United States Design Patent**
McPherson

(10) **Patent No.:** **US D872,212 S**
(45) **Date of Patent:** **** Jan. 7, 2020**

- (54) **CROSSBOW PROD**
- (71) Applicant: **MCP IP, LLC**, Sparta, WI (US)
- (72) Inventor: **Mathew A. McPherson**, Norwalk, WI (US)
- (73) Assignee: **MCP IP, LLC**, Sparta, WI (US)
- (**) Term: **15 Years**
- (21) Appl. No.: **29/634,171**

| | | |
|--------------|---------|--------------|
| 4,722,318 A | 2/1988 | Yankey |
| H000486 H | 7/1988 | Savioli |
| 4,879,987 A | 11/1989 | Nishioka |
| 5,720,268 A | 2/1998 | Koltze |
| 6,560,911 B2 | 5/2003 | Sharp |
| 6,651,641 B1 | 11/2003 | Bower et al. |
| 6,901,921 B1 | 6/2005 | Barnett |
| 7,174,884 B2 | 2/2007 | Kempf et al. |
| 7,328,693 B2 | 2/2008 | Kempf |
| 7,363,921 B2 | 4/2008 | Kempf |

(Continued)

- (22) Filed: **Jan. 18, 2018**
- (51) **LOC (12) Cl.** **22-01**
- (52) **U.S. Cl.**
USPC **D22/107**
- (58) **Field of Classification Search**
USPC D21/301, 304, 567, 570, 571, 573, 574,
D21/575, 746; D22/100, 101, 102, 103,
D22/106, 107, 108, 109, 110, 111, 112,
D22/115, 116, 199
CPC F41A 3/26; F41A 3/12; F41A 5/02; F41A
17/22; F41B 5/143; F41B 5/14; F41B
5/066; F41B 7/08; F41B 5/1446; F41B
5/148; F41B 5/1465; F42B 6/04; F42B
6/08; F42B 6/02; F42B 6/06; F42B
12/362; F41C 23/16; F41C 27/00; F41C
7/00; F41G 11/003; F41G 11/001; F41G
11/004; F41G 11/005; A63H 5/04
See application file for complete search history.

- (56) **References Cited**
U.S. PATENT DOCUMENTS
- | | | |
|-------------|--------|----------------|
| 577,641 A | 2/1897 | Bruder |
| 2,500,509 A | 3/1950 | Bailey |
| 2,609,810 A | 9/1952 | Gruner |
| D283,637 S | 4/1986 | Williams |
| 4,587,944 A | 5/1986 | Barnett |
| 4,649,891 A | 3/1987 | Bozek |
| 4,693,228 A | 9/1987 | Simonds et al. |

OTHER PUBLICATIONS

“Mission SUB-1 Crossbow at LancasterArchery.com” [online]. Lancaster Archery Supply. [Published on Oct. 3, 2017]. Retrieved from the Internet: <<https://www.youtube.com/watch?v=1WPerIXRwS4>>.*

(Continued)

Primary Examiner — Khawaja Anwar
Assistant Examiner — Mojtaba Tehrani

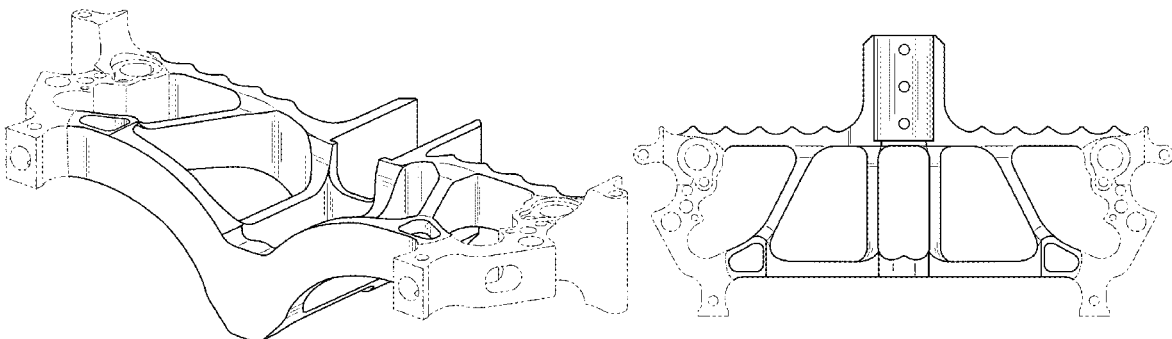
(57) **CLAIM**

The ornamental design for a crossbow prod, as shown and described.

DESCRIPTION

FIG. 1 is a top perspective view of a crossbow prod, showing my new design.
FIG. 2 is a top plan view thereof.
FIG. 3 is a bottom plan view thereof.
FIG. 4 is a rear elevation view thereof.
FIG. 5 is a front elevation view thereof.
FIG. 6 is a left side elevation view thereof; and,
FIG. 7 is a right side elevation view thereof.
The dash-dot-dot broken lines in the Figures disclose unclaimed portions of the crossbow prod only, and the dash-dot broken lines disclose the boundary of the claimed design. The broken lines form no part of the claimed design.

1 Claim, 2 Drawing Sheets



(56)

References Cited

U.S. PATENT DOCUMENTS

7,708,001 B2 5/2010 Kempf
 7,832,386 B2* 11/2010 Bednar F41B 5/123
 124/25
 7,836,871 B2 11/2010 Kempf
 7,930,849 B2 4/2011 Abraham et al.
 8,701,641 B2* 4/2014 Biafore, Jr. F41B 5/1403
 124/25
 8,701,642 B2* 4/2014 Biafore, Jr. F41B 5/123
 124/25
 8,813,735 B2* 8/2014 Biafore, Jr. F41B 5/12
 124/25
 D737,920 S * 9/2015 Darlington D22/107
 D783,109 S * 4/2017 McPherson D22/107
 9,618,294 B2 4/2017 McPherson
 2002/0020403 A1 2/2002 Troubridge
 2005/0279338 A1 12/2005 Dziekan
 2007/0006554 A1 1/2007 Chang
 2007/0101631 A1 5/2007 Bentley
 2007/0289190 A1 12/2007 Oz
 2008/0168969 A1 7/2008 Kempf

2008/0196363 A1 8/2008 Chang
 2009/0194086 A1 8/2009 Kempf
 2010/0116259 A1 5/2010 Popov et al.
 2010/0186728 A1 7/2010 Bednar et al.
 2010/0269807 A1 10/2010 Kempf
 2011/0016764 A1 1/2011 Cales
 2011/0203561 A1* 8/2011 Shaffer F41B 5/105
 124/25
 2011/0232619 A1 9/2011 Bednar et al.
 2013/0061836 A1 3/2013 Kempf
 2014/0069404 A1* 3/2014 McPherson F41B 5/123
 124/25
 2014/0261357 A1* 9/2014 McPherson F41B 5/123
 124/25

OTHER PUBLICATIONS

“Tenpoint Turbo GT Crossbow Package with 3X Pro-View 2 Scope” [online]. Tenpoint. [Retrieved on Jan. 3, 2019]. Retrieved from the Internet: <<https://www.amazon.com/TenPoint-Crossbow-Pro-View-Pro-Elite-Ambidextrous/dp/B01ALC46QK/>>.*

* cited by examiner

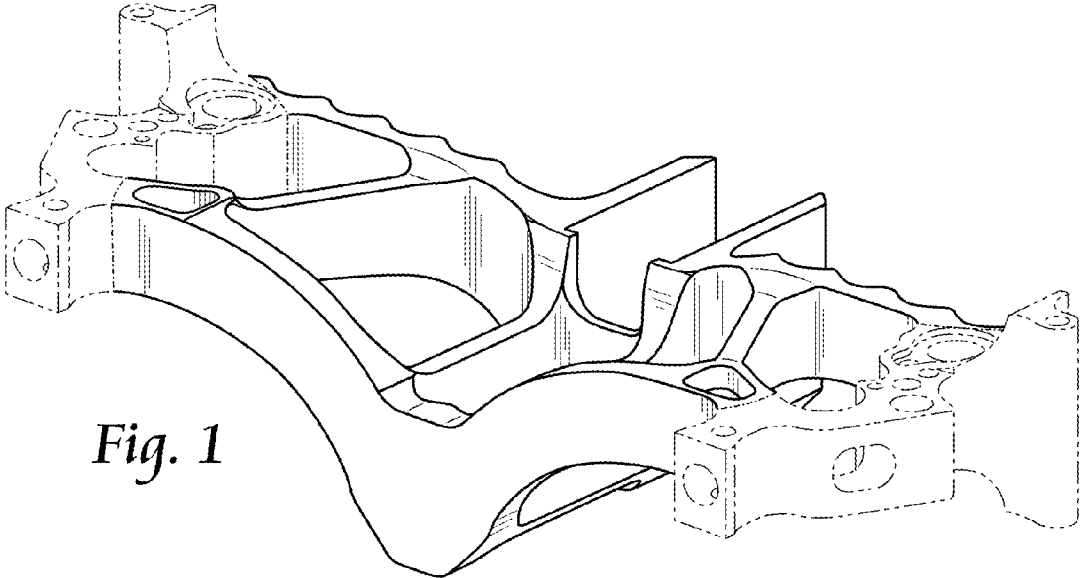


Fig. 1

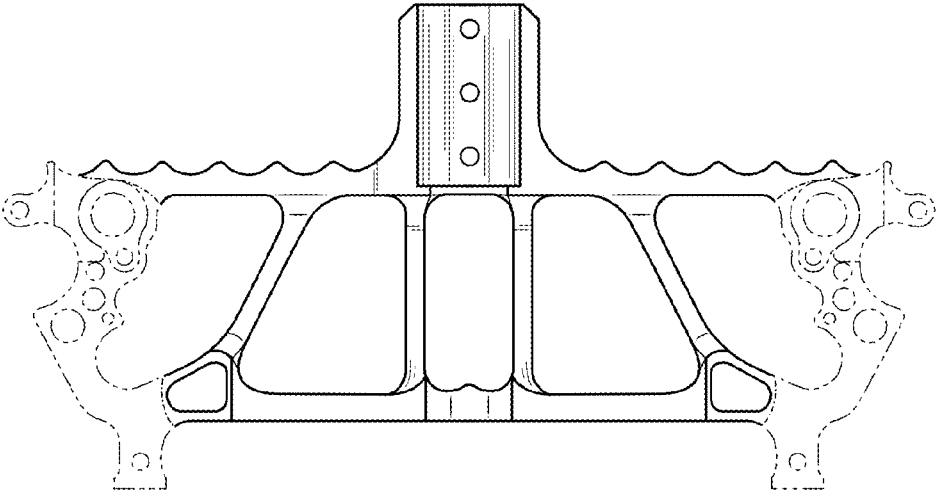


Fig. 2

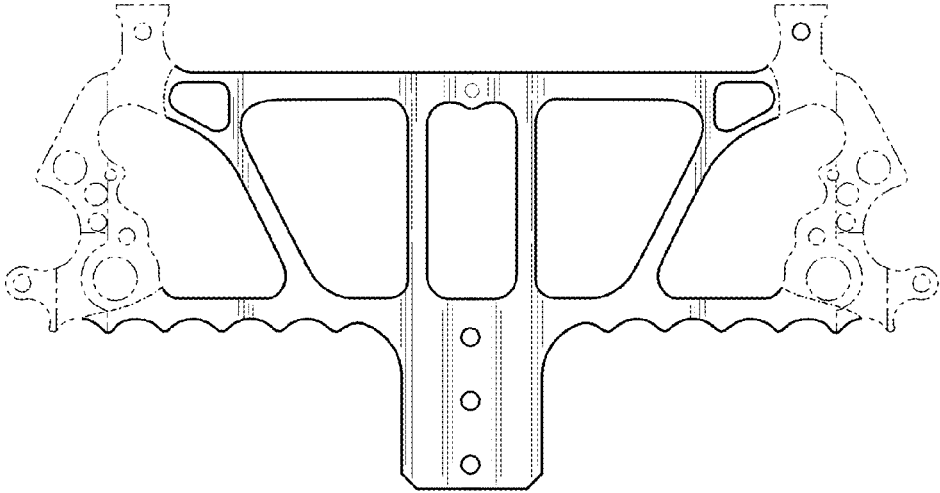


Fig. 3

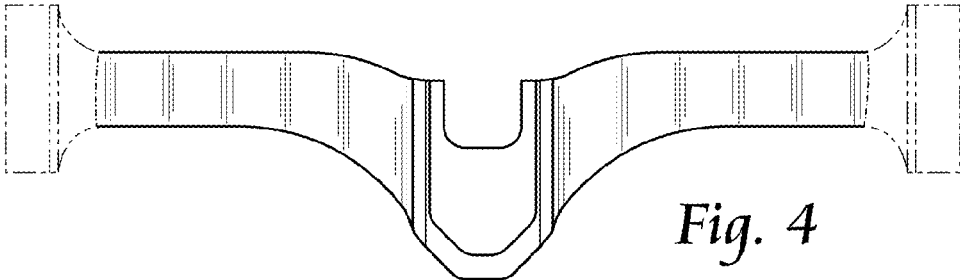


Fig. 4

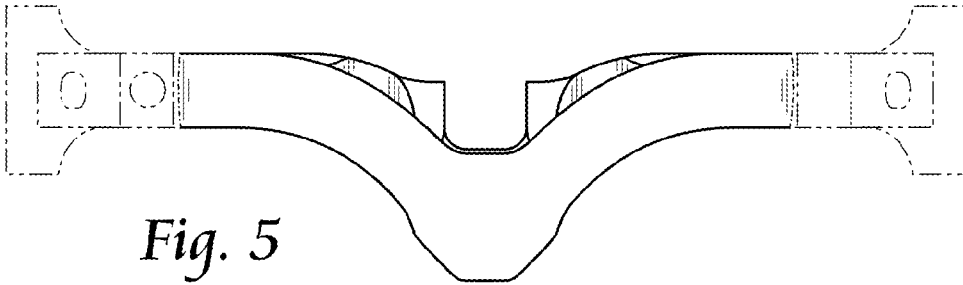


Fig. 5

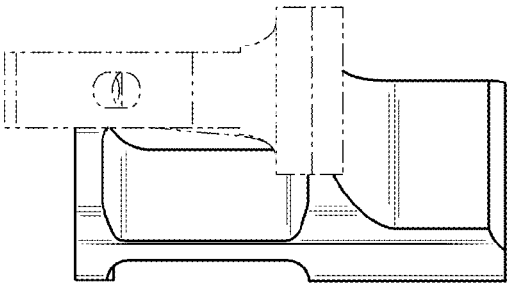


Fig. 6

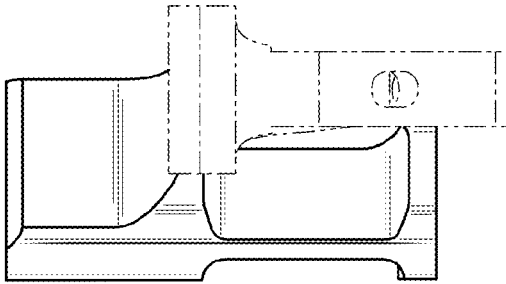


Fig. 7