



US00D440114S

(12) **United States Design Patent**
Lillelund et al.

(10) **Patent No.:** **US D440,114 S**

(45) **Date of Patent:** **** Apr. 10, 2001**

(54) **STORAGE CONTAINER BOTTOM CLOSURE**

(75) Inventors: **Stig Lillelund**, Gentofte; **Jakob Heiberg**, Charlottenlund; **Hanne Dalsgaard Jeppesen**, Holt, all of (DK); **Robert H. C. M. Daenen**, Herne (BE)

(73) Assignee: **Dart Industries Inc.**, Orlando, FL (US)

(**) Term: **14 Years**

(21) Appl. No.: **29/113,206**

(22) Filed: **Nov. 1, 1999**

(51) **LOC (7) Cl.** **02-01**

(52) **U.S. Cl.** **D7/392.1; D7/391**

(58) **Field of Search** D7/391, 392.1, D7/538, 542, 629; D9/435, 453, 503, 439; 220/306, 369, 287, 334; 215/320; D3/323, 326; 206/561, 592, 438; 229/404; 222/212

(56) **References Cited**

U.S. PATENT DOCUMENTS

D. 243,231	*	2/1977	Smith	D9/439
D. 306,388		3/1990	Pozzi	D7/591
D. 317,120	*	5/1991	Schwartzburg	D9/503
D. 317,126	*	5/1991	Morris, Sr.	D9/428
D. 321,627		11/1991	Plough	D7/596
D. 327,849	*	7/1992	Armstrong	D9/453
D. 346,720	*	5/1994	Onneweer	D7/629

D. 350,876		9/1994	VanValkenburg	D7/612
D. 367,361	*	2/1996	Kobilarcik et al.	D3/326
D. 374,794	*	10/1996	Ahern, Jr.	D7/392.1
D. 377,732	*	2/1997	Ahern, Jr.	D7/391
D. 403,922	*	1/1999	Terracciano et al.	D7/542
D. 418,716	*	1/2000	Haley	D7/392.1
D. 422,176	*	4/2000	Laib	D7/392.1
3,737,066		6/1973	Ames	220/31
5,971,225		10/1999	Kapsa	222/212

* cited by examiner

Primary Examiner—M. N. Pandozzi

(74) *Attorney, Agent, or Firm*—Taylor J. Ross

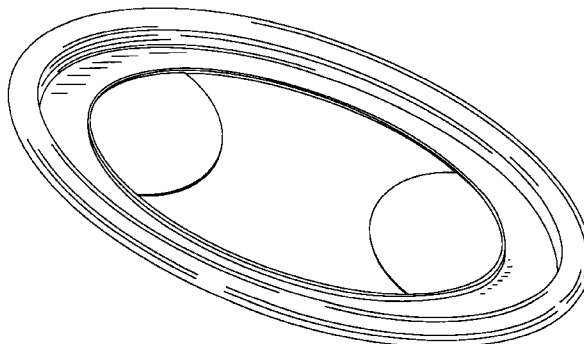
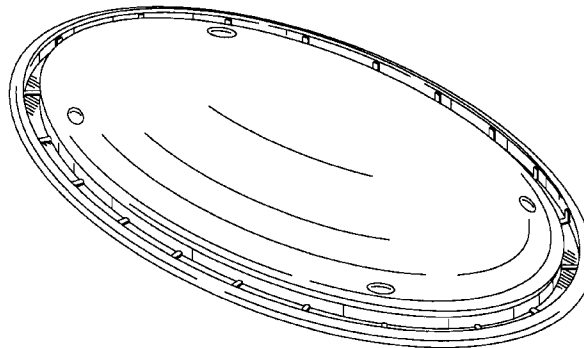
(57) **CLAIM**

The ornamental design for a storage container bottom closure, as shown and described.

DESCRIPTION

FIG. 1 is a top, side and front perspective view of a storage container bottom closure showing the new design; FIG. 2 is a bottom, side and front perspective view thereof; FIG. 3 is a right side elevation view thereof; FIG. 4 is a left side elevation view thereof; FIG. 5 is a front elevation view thereof; FIG. 6 is a rear elevation view thereof; FIG. 7 is a top plan view thereof; and, FIG. 8 is a bottom plan view thereof.

1 Claim, 3 Drawing Sheets



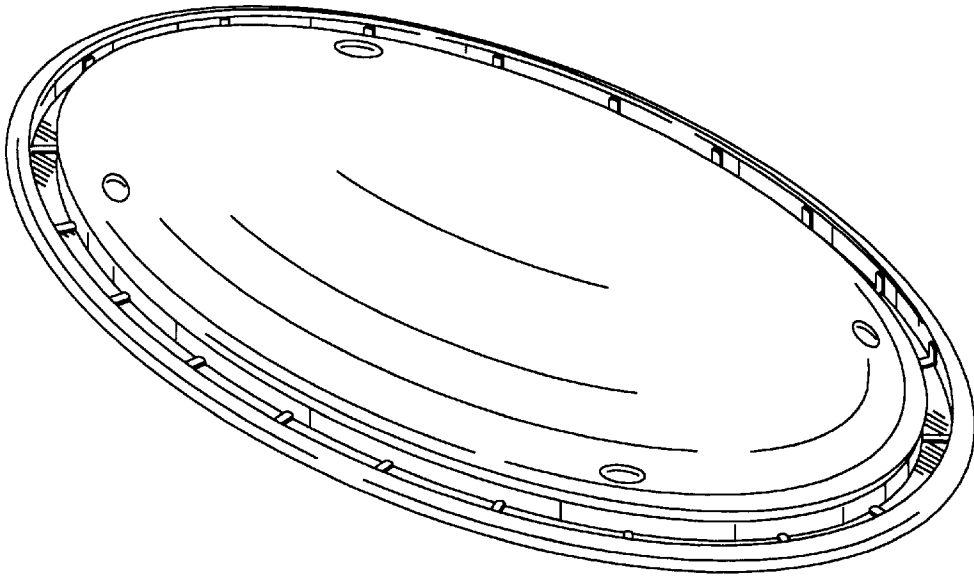


FIG. 1

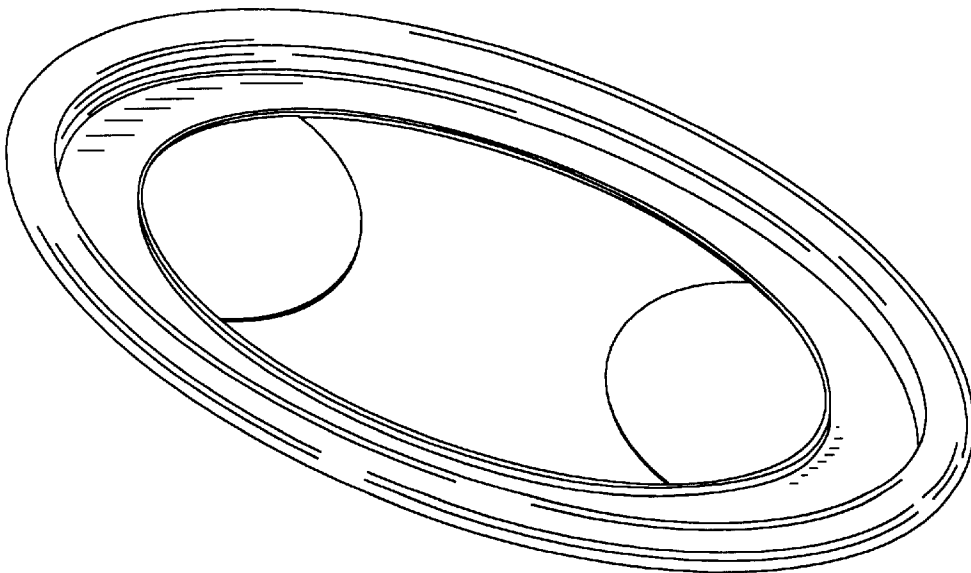


FIG. 2

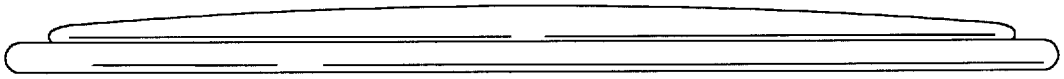


FIG. 3

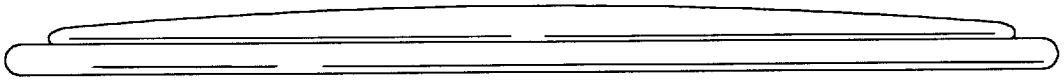


FIG. 4

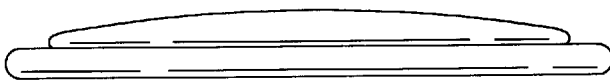


FIG. 5

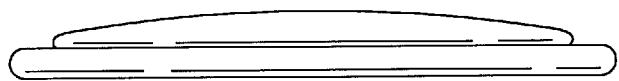


FIG. 6

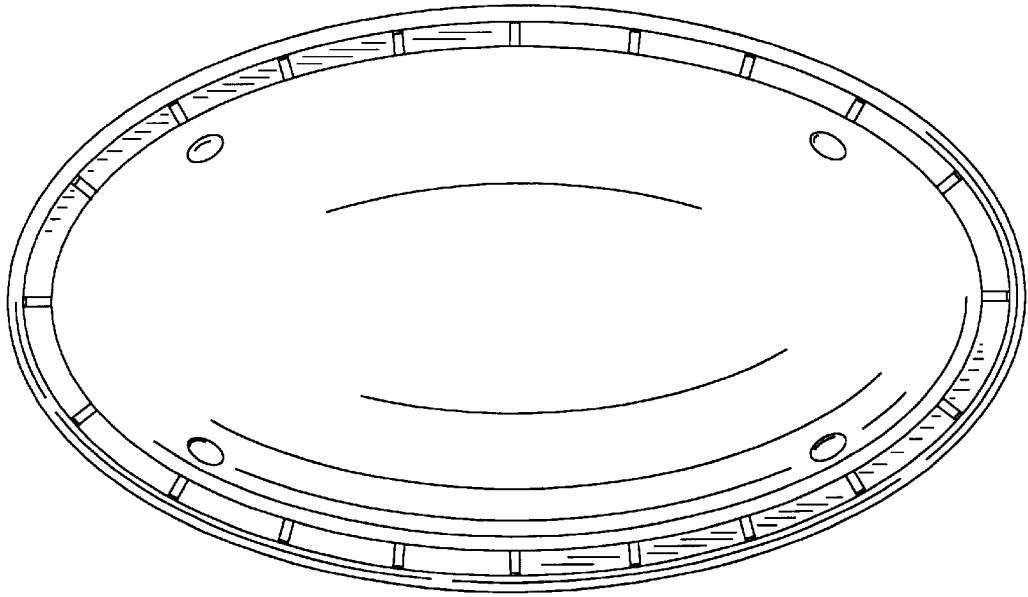


FIG. 7

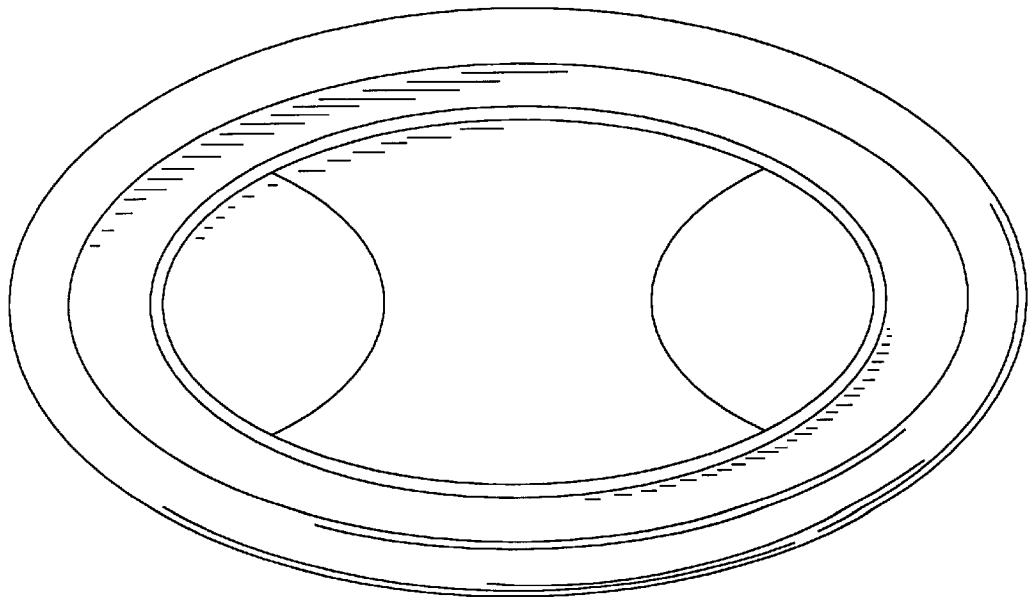


FIG. 8