



US00D750535S

(12) **United States Design Patent**  
**Ryshavy et al.**

(10) **Patent No.:** **US D750,535 S**

(45) **Date of Patent:** **\*\* Mar. 1, 2016**

(54) **SUSPENSION SPACER**

FOREIGN PATENT DOCUMENTS

(71) Applicant: **Stempf Automotive Industries, Inc.**,  
Minnetonka, MN (US)

DE 2809744 A1 \* 9/1978 ..... B60G 15/063  
EP 566039 10/1993

(Continued)

(72) Inventors: **John W. Ryshavy**, Wayzata, MN (US);  
**Shawn C. Miller**, Milaca, MN (US)

OTHER PUBLICATIONS

(73) Assignee: **Stempf Automotive Industries, Inc.**,  
Minnetonka, MN (US)

Topguncustomz.com, website, All Steel Leveling Spacers, pp. 1-2.

(Continued)

(\*\*) Term: **14 Years**

*Primary Examiner* — Michael A Pratt

(21) Appl. No.: **29/506,579**

(74) *Attorney, Agent, or Firm* — Haugen Law Firm PLLP

(22) Filed: **Oct. 17, 2014**

(51) **LOC (10) Cl.** ..... **12-16**

(52) **U.S. Cl.**

USPC ..... **D12/159**

(58) **Field of Classification Search**

USPC ..... D12/159-160

CPC ..... B60G 2204/4402

See application file for complete search history.

(57) **CLAIM**

The ornamental design for a suspension spacer, as shown and described.

**DESCRIPTION**

FIG. 1 is a front, right, perspective view of the suspension spacer of the present invention;

FIG. 2 is a front elevational view of the suspension spacer shown in FIG. 1;

FIG. 3 is a bottom elevational view of the suspension spacer shown in FIG. 1;

FIG. 4 is a left elevational view of the suspension spacer shown in FIG. 1;

FIG. 5 is a right elevational view of the suspension spacer shown in FIG. 1;

FIG. 6 is a top plan view of the suspension spacer shown in FIG. 1;

FIG. 7 is a bottom plan view of the suspension spacer shown in FIG. 1;

FIG. 8 is a back, right, perspective view of the suspension spacer of the present invention;

FIG. 9 is a back upper perspective view of the suspension spacer of the present invention; and,

FIG. 10 is a front upper perspective view of the suspension spacer of the present invention.

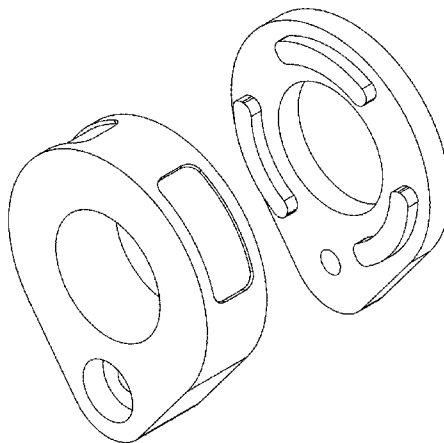
(56) **References Cited**

U.S. PATENT DOCUMENTS

1,881,227 A	10/1932	Jackson	
2,233,627 A	3/1941	McDonald	
2,754,112 A *	7/1956	Pouell	B60G 11/16 267/286
3,309,107 A	3/1967	Chieger	
3,378,250 A	4/1968	Milford	
3,578,355 A	5/1971	Oeder	
3,586,306 A	6/1971	Reece et al.	
3,954,257 A	5/1976	Keijzer et al.	
4,458,605 A	7/1984	Herring, Jr. et al.	
4,505,457 A	3/1985	Okada et al.	
4,585,211 A	4/1986	Griffin	
4,647,069 A	3/1987	Ijima	
4,721,325 A	1/1988	Mackoviak et al.	
5,018,224 A *	5/1991	Hodges	E03D 11/16 285/56
5,080,388 A	1/1992	Berry et al.	
5,135,203 A	8/1992	Wijnhoven et al.	

(Continued)

**1 Claim, 10 Drawing Sheets**



(56)

References Cited

U.S. PATENT DOCUMENTS

5,232,209 A \* 8/1993 de Fontenay ..... B60G 7/02  
267/140.13

5,467,971 A 11/1995 Hurtubise et al.

5,470,049 A 11/1995 Wohler et al.

5,788,262 A 8/1998 Dazy et al.

5,868,408 A \* 2/1999 Miller ..... A63C 17/0046  
280/11.28

5,957,651 A 9/1999 Takebayashi et al.

5,967,536 A 10/1999 Spivey et al.

6,053,112 A 4/2000 Jones, Jr.

6,161,822 A 12/2000 Hurst et al.

6,257,601 B1 7/2001 Spears et al.

6,260,835 B1 7/2001 Angles et al.

6,273,407 B1 8/2001 Germano

6,293,572 B1 9/2001 Robbins et al.

6,328,321 B1 12/2001 Nolan

6,382,645 B1 5/2002 Gravelle et al.

6,485,223 B1 11/2002 Van Schmus et al.

6,820,883 B2 11/2004 Lang et al.

6,827,184 B1 12/2004 Lin

6,843,352 B2 1/2005 Jacoby et al.

6,923,461 B2 8/2005 Momose et al.

6,957,806 B2 10/2005 Tubbs

6,986,519 B2 1/2006 Smith

7,066,309 B2 6/2006 Colas et al.

7,284,644 B2 10/2007 Cmich et al.

7,311,181 B2 12/2007 Germano et al.

7,513,514 B1 4/2009 Schlosser et al.

7,537,225 B2 5/2009 Ryshavy et al.

7,607,668 B2 10/2009 Dugandzic et al.

7,665,743 B2 2/2010 Poncher et al.

7,780,178 B2 8/2010 Ryshavy et al.

7,850,183 B1 12/2010 Ryshavy et al.

7,976,039 B2 7/2011 Hirve et al.

7,988,166 B2 8/2011 Heeren et al.

8,109,492 B2 2/2012 Winocur

8,196,942 B2 6/2012 Heeren et al.

8,317,210 B1 11/2012 Ryshavy et al.

8,317,211 B1 11/2012 Ryshavy

8,480,108 B2 7/2013 Ryshavy et al.

8,516,672 B2 8/2013 Wohlfarth

8,720,923 B2 5/2014 Ryshvy et al.

2004/0089990 A1 5/2004 Labeau

2004/0155424 A1 8/2004 Hicks et al.

2004/0178595 A1 \* 9/2004 Coggin ..... B60G 7/02  
280/86.758

2005/0017475 A1 1/2005 Hellums

2005/0155829 A1 \* 7/2005 Germano ..... B60G 13/003  
188/321.11

2006/0125198 A1 \* 6/2006 Choi ..... B60G 15/068  
280/86.752

2007/0187919 A1 8/2007 Furman

2008/0191440 A1 \* 8/2008 Ryshavy ..... B60G 7/003  
280/124.1

2011/0232034 A1 \* 9/2011 Chu ..... E05D 11/087  
16/297

2011/0318140 A1 12/2011 Chang

2012/0098215 A1 4/2012 Rositch et al.

2013/0049319 A1 \* 2/2013 Ryshavy ..... B60G 11/10  
280/124.175

FOREIGN PATENT DOCUMENTS

GB 2075441 11/1871

JP 2004270717 9/2004

OTHER PUBLICATIONS

Roughcountry.com, website, 2.5 in GM Leveling Lift Kit, pp. 1-2.

\* cited by examiner

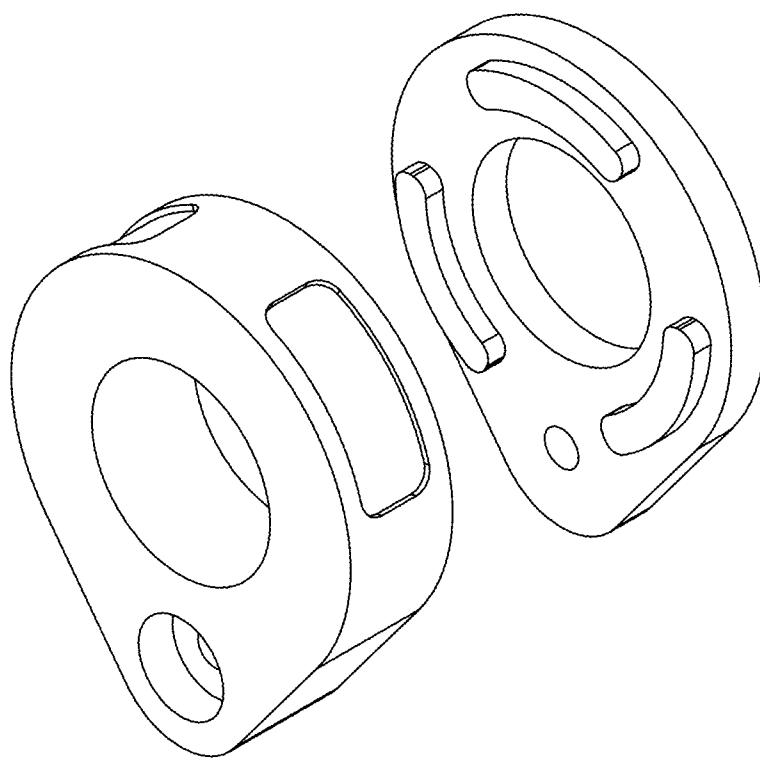


FIG. 1

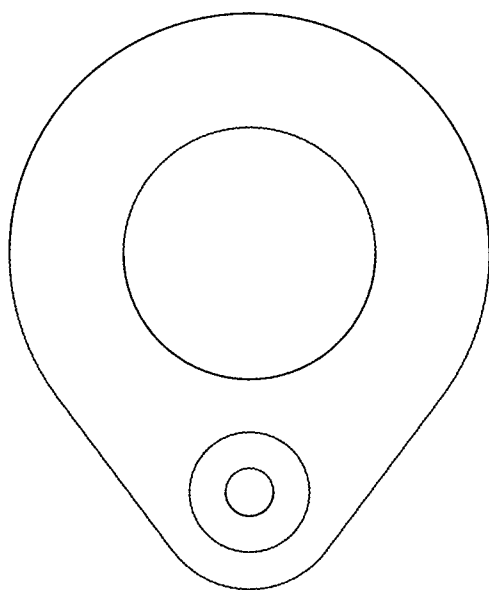


FIG. 2

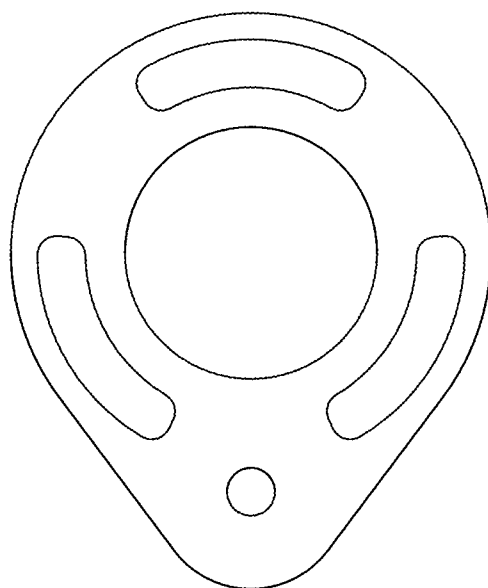


FIG. 3

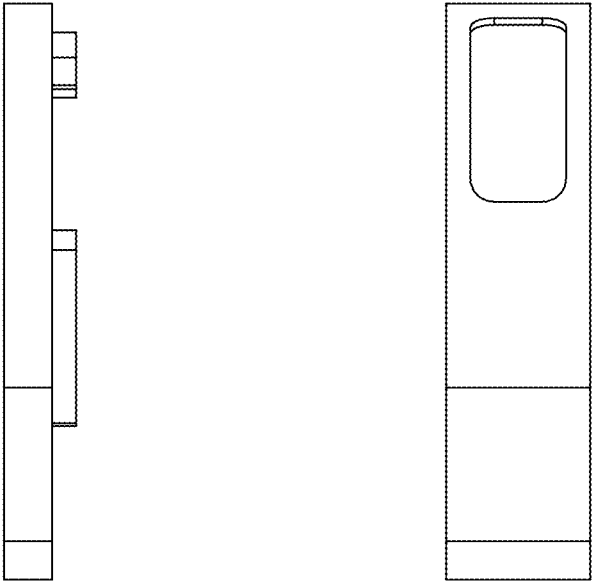


FIG. 4

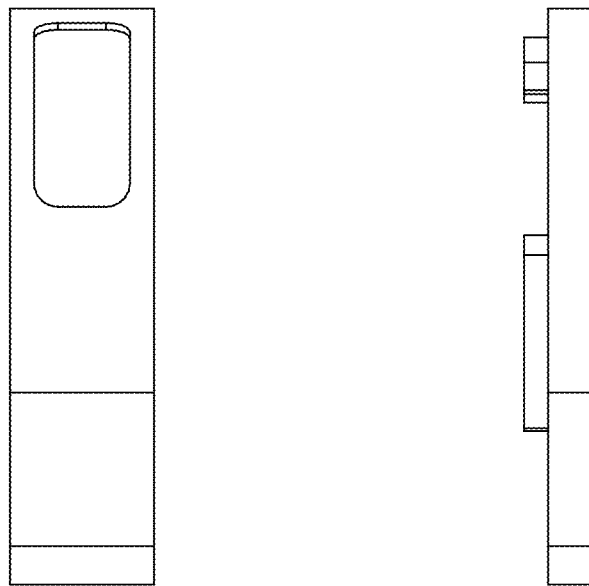


FIG. 5

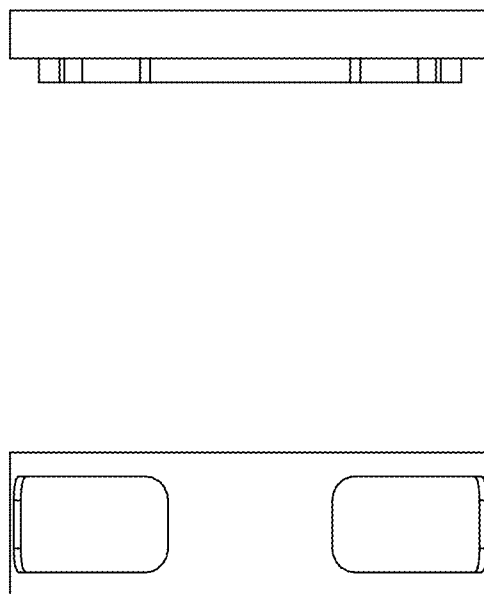


FIG. 6



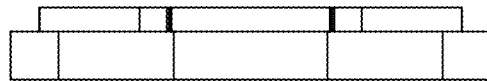
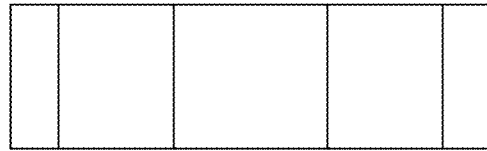


FIG. 7

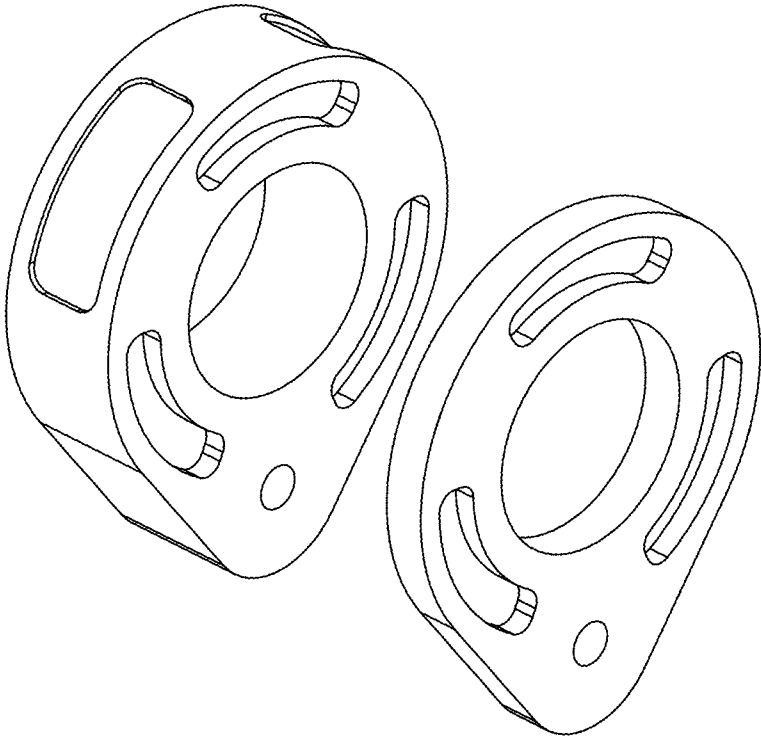


FIG. 8

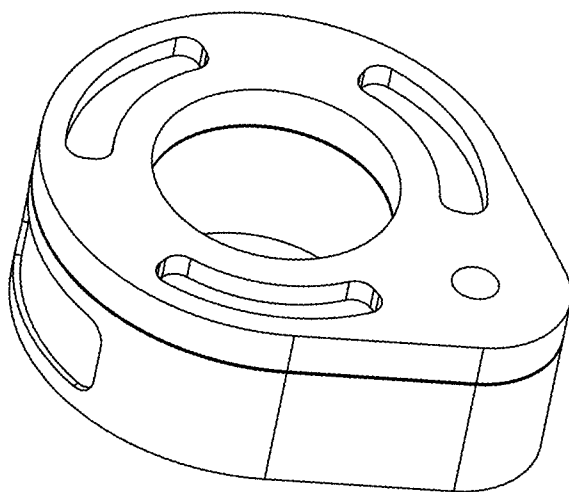


FIG. 9

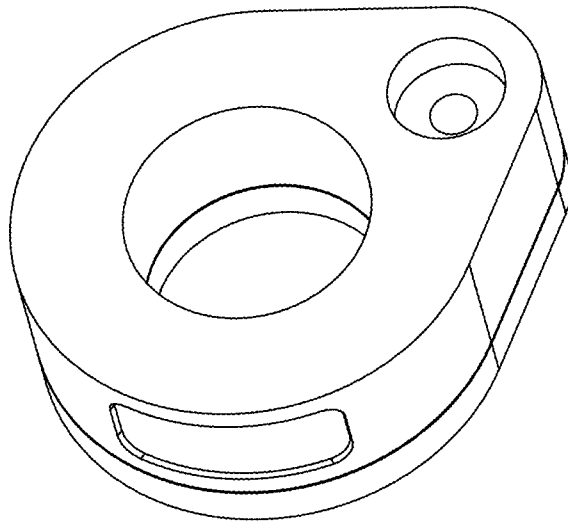


FIG. 10