

[54] HAIR DRYER

[75] Inventor: **Wilhelmus G. E. Janssens**, Drachten, Netherlands

[73] Assignee: **U.S. Philips Corporation**, New York, N.Y.

[\*\*] Term: **14 Years**

[21] Appl. No.: **46,573**

[22] Filed: **Jun. 7, 1979**

[30] **Foreign Application Priority Data**

Dec. 13, 1978 [GB] United Kingdom ..... 987652/78

[51] Int. Cl. .... **D28-03**

[52] U.S. Cl. .... **D28/13**

[58] Field of Search ..... **D28/9, 10, 12-18; 219/222; 132/7, 9; 34/96-98**

[56]

**References Cited**

**U.S. PATENT DOCUMENTS**

D. 254,690	4/1980	Rakocy et al. ....	D28/13
D. 255,052	5/1980	Haase .....	D28/13
4,195,217	3/1980	Möller et al. ....	34/97 X

**OTHER PUBLICATIONS**

*Stile Industria*, 12/1961, p. 26-Hair Drier at left.

*Primary Examiner*—Louis S. Zarfaz

*Attorney, Agent, or Firm*—Thomas A. Briody; William J. Streeter; Rolf E. Schneider

[57]

**CLAIM**

The ornamental design for a hair dryer, as shown.

**DESCRIPTION**

FIG. 1 is a perspective view of a hair dryer showing my new design;

FIG. 2 is a right side elevational view thereof;

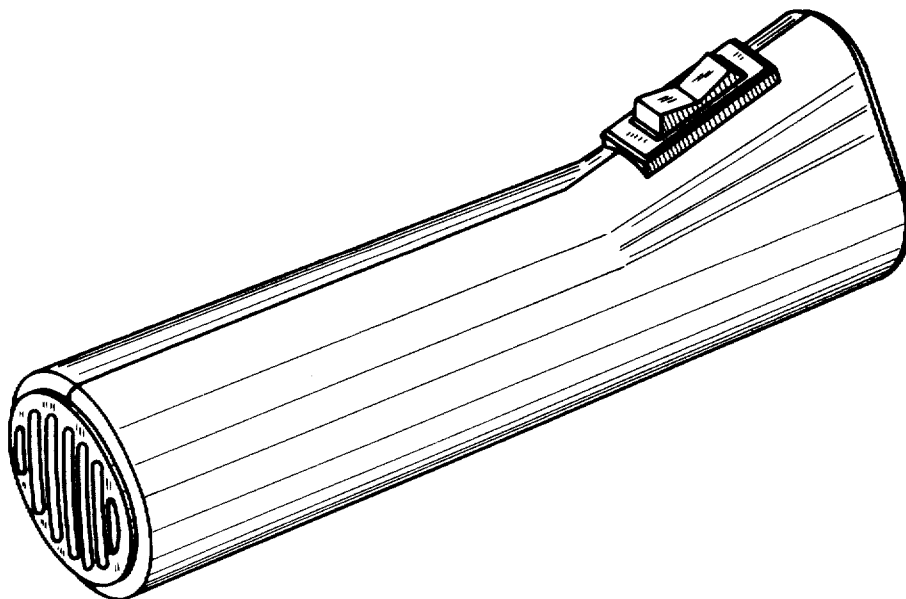
FIG. 3 is a left side elevational view thereof;

FIG. 4 is a top plan view thereof;

FIG. 5 is a bottom plan view thereof;

FIG. 6 is a front elevational view thereof; and

FIG. 7 is a rear elevational view thereof.



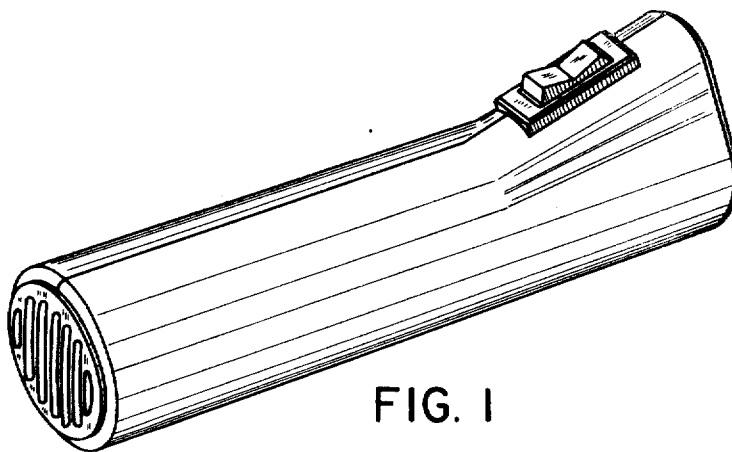


FIG. 1

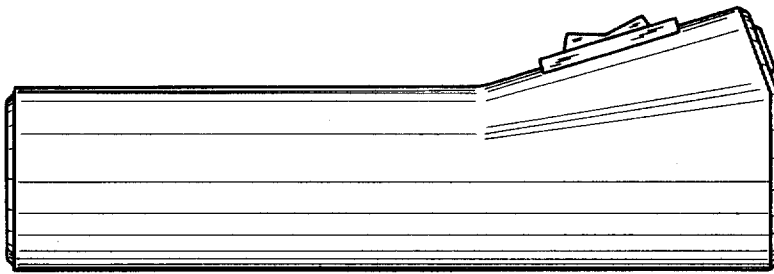


FIG. 2

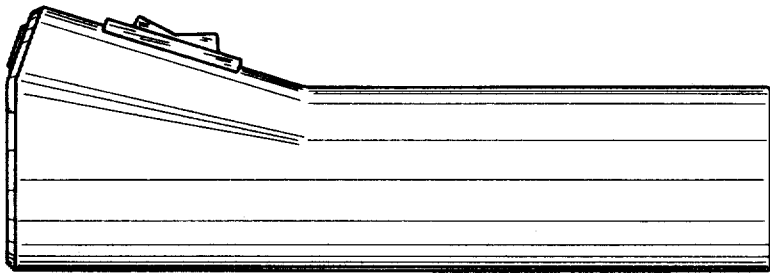


FIG. 3

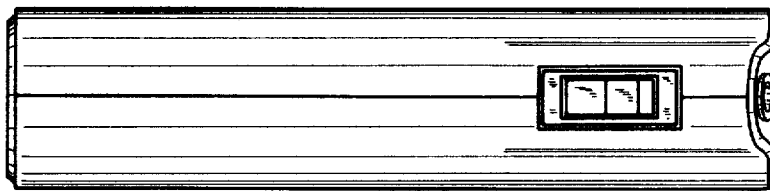


FIG. 4

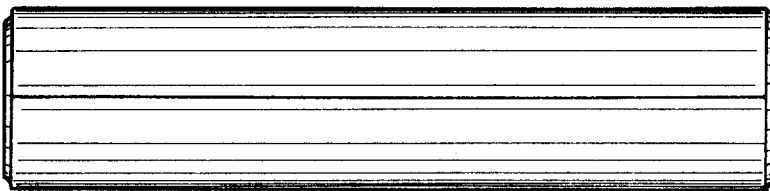


FIG. 5

FIG. 6

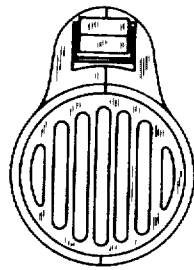


FIG. 7

