

(19) World Intellectual Property Organization
International Bureau



(43) International Publication Date
21 February 2002 (21.02.2002)

PCT

(10) International Publication Number
WO 02/013678 A3

(51) International Patent Classification⁷: **A61B 17/32**

(21) International Application Number: PCT/US01/41458

(22) International Filing Date: 27 July 2001 (27.07.2001)

(25) Filing Language: English

(26) Publication Language: English

(30) Priority Data:
60/225,060 14 August 2000 (14.08.2000) US

(71) Applicant (for all designated States except US): **OMNISONICS MEDICAL TECHNOLOGIES, INC.**
[US/US]; 66 Concord Street, Wilmington, MA 01887 (US).

(72) Inventors; and

(75) Inventors/Applicants (for US only): **RABINER, Robert**
[US/US]; 14 Equestrian Drive, North Reading, MA 01864 (US). **HARE, Bradley, A.** [US/US]; A-2 30 Worthen Street, Chelmsford, MA 01824 (US).

(74) Agent: **SMITH, Richard, B.**; Palmer & Dodge, LLP, 111 Huntington Avenue, Boston, MA 02199-7613 (US).

(81) Designated States (*national*): AE, AG, AL, AM, AT, AU, AZ, BA, BB, BG, BR, BY, BZ, CA, CH, CN, CO, CR, CU, CZ, DE, DK, DM, DZ, EE, ES, FI, GB, GD, GE, GH, GM, HR, HU, ID, IL, IN, IS, JP, KE, KG, KP, KR, KZ, LC, LK, LR, LS, LT, LU, LV, MA, MD, MG, MK, MN, MW, MX, MZ, NO, NZ, PL, PT, RO, RU, SD, SE, SG, SI, SK, SL, TJ, TM, TR, TT, TZ, UA, UG, US, UZ, VN, YU, ZA, ZW.

(84) Designated States (*regional*): ARIPO patent (GH, GM, KE, LS, MW, MZ, SD, SL, SZ, TZ, UG, ZW), Eurasian patent (AM, AZ, BY, KG, KZ, MD, RU, TJ, TM), European patent (AT, BE, CH, CY, DE, DK, ES, FI, FR, GB, GR, IE, IT, LU, MC, NL, PT, SE, TR), OAPI patent (BF, BJ, CF, CG, CI, CM, GA, GN, GQ, GW, ML, MR, NE, SN, TD, TG).

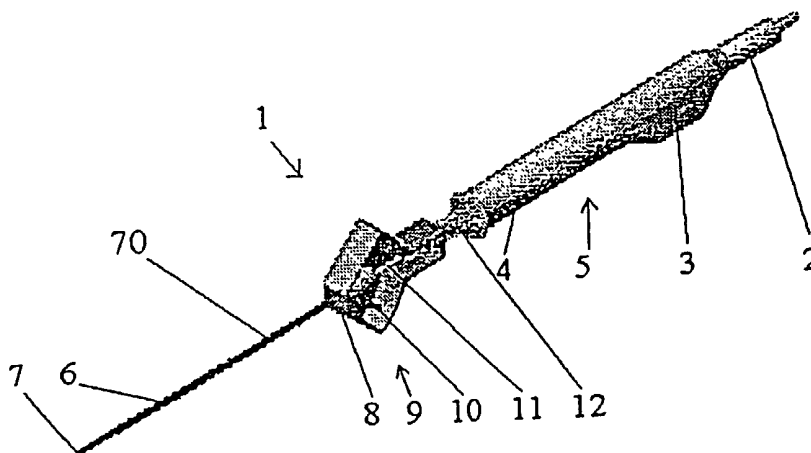
Published:

— with international search report

(88) Date of publication of the international search report:
15 August 2002

For two-letter codes and other abbreviations, refer to the "Guidance Notes on Codes and Abbreviations" appearing at the beginning of each regular issue of the PCT Gazette.

(54) Title: ULTRASONIC MEDICAL DEVICE FOR TISSUE REMODELING



(57) Abstract: The ultrasonic treatment apparatus (1) show an embodiment of the ultrasonic probe (6) with an ultrasonic probe (6). The ultrasonic probe (6) is axially movably mounted within an aspiration sheath or catheter (70), so that the probe tip (7) may move axially inwardly and outwardly relative to the distal end of the aspiration sheath or catheter.



WO 02/013678 A3

INTERNATIONAL SEARCH REPORT

International application No.

PCT/US01/41458

A. CLASSIFICATION OF SUBJECT MATTER		
IPC(7) : A61B 17/32		
US CL : 600/439		
According to International Patent Classification (IPC) or to both national classification and IPC		
B. FIELDS SEARCHED		
Minimum documentation searched (classification system followed by classification symbols)		
U.S. : 600/439, 459; 601/4; 604/22, 27, 902; 606/1		
Documentation searched other than minimum documentation to the extent that such documents are included in the fields searched		
Electronic data base consulted during the international search (name of data base and, where practicable, search terms used)		
C. DOCUMENTS CONSIDERED TO BE RELEVANT		
Category *	Citation of document, with indication, where appropriate, of the relevant passages	Relevant to claim No.
A	US 5,527,273 A (MANNA et al) 18 June 1996 (18.06.1996), see entire document.	1-10
A	US 5,989,208 A (NITA) 23 November 1999 (23.11.1999), see entire document.	1-10
A	US 4,750,488 A (WUCHINICH et al) 14 June 1988 (14.06.1988), see entire document.	1-10
<input type="checkbox"/> Further documents are listed in the continuation of Box C. <input type="checkbox"/> See patent family annex.		
* Special categories of cited documents:		
"A"	document defining the general state of the art which is not considered to be of particular relevance	"T" later document published after the international filing date or priority date and not in conflict with the application but cited to understand the principle or theory underlying the invention
"E"	earlier application or patent published on or after the international filing date	"X" document of particular relevance; the claimed invention cannot be considered novel or cannot be considered to involve an inventive step when the document is taken alone
"L"	document which may throw doubts on priority claim(s) or which is cited to establish the publication date of another citation or other special reason (as specified)	"Y" document of particular relevance; the claimed invention cannot be considered to involve an inventive step when the document is combined with one or more other such documents, such combination being obvious to a person skilled in the art
"O"	document referring to an oral disclosure, use, exhibition or other means	"&" document member of the same patent family
"P"	document published prior to the international filing date but later than the priority date claimed	
Date of the actual completion of the international search	Date of mailing of the international search report	
23 March 2002 (23.03.2002)	13 MAY 2002	
Name and mailing address of the ISA/US	Authorized officer	
Commissioner of Patents and Trademarks	Marvin Latee	
Box PCT	Telephone No. 703 308-0858	
Washington, D.C. 20231		
Facsimile No. (703)305-3230		