



US00D524807S

(12) **United States Design Patent**
Topinka

(10) **Patent No.:** **US D524,807 S**

(45) **Date of Patent:** **** Jul. 11, 2006**

(54) **CELLULAR TELEPHONE HOLDER**

(75) Inventor: **Andrew Topinka**, Wayne, NJ (US)

(73) Assignee: **Technical Group Services, Inc.**

(**) Term: **14 Years**

(21) Appl. No.: **29/199,874**

(22) Filed: **Feb. 20, 2004**

(51) **LOC (8) Cl.** **14-03**

(52) **U.S. Cl.** **D14/253**

(58) **Field of Classification Search** D14/149,
D14/147-148, 251-253, 434, 224, 453, 447;
379/440, 454, 455, 446, 430, 419, 434-436;
D13/107, 108; 320/114, 115; 381/374, 384;
D21/517

See application file for complete search history.

(56) **References Cited**

U.S. PATENT DOCUMENTS

- D237,893 S * 12/1975 Wennestrom D14/137
- D291,309 S * 8/1987 Kaufman D14/149
- 5,088,673 A * 2/1992 Chandler 248/311.2
- 5,230,016 A * 7/1993 Yasuda 455/573
- D342,718 S * 12/1993 Mackay D13/108
- D361,017 S * 8/1995 Keven D7/619.1
- D377,091 S * 12/1996 Scott, Sr. D24/121
- D397,915 S * 9/1998 McNaughton D7/619.1
- D399,244 S * 10/1998 Coveley D18/12
- D402,666 S * 12/1998 Golder D14/253
- D407,408 S * 3/1999 Hoff D14/253
- 5,903,133 A * 5/1999 Amero et al. 320/107
- D420,974 S * 2/2000 Minagawa D13/108
- 6,130,521 A * 10/2000 Collins et al. 320/115
- D433,991 S * 11/2000 Buchin et al. D13/108
- 6,246,766 B1 * 6/2001 Walsh 379/455
- D451,504 S * 12/2001 Edwards D14/253

- D452,236 S * 12/2001 Kohli D14/253
- D455,397 S * 4/2002 Weiner et al. D13/108
- 6,396,925 B1 * 5/2002 Close 379/446
- D460,962 S * 7/2002 Peiker D14/253
- D466,700 S * 12/2002 Richmond et al. D4/199
- D469,073 S * 1/2003 Muenscher et al. D14/149
- D471,578 S * 3/2003 Okuley D16/242
- D474,737 S * 5/2003 Yoshida D13/108
- D475,044 S * 5/2003 Kohli et al. D14/253
- D478,073 S * 8/2003 Topinka D14/253
- D501,118 S * 1/2005 Schrock D7/619.1
- 2004/0086112 A1 * 5/2004 Hilger et al. 379/455

FOREIGN PATENT DOCUMENTS

- DE 199 44 064 A1 * 3/2001
- JP 10-190800 * 7/1998
- WO DM/052227 * 3/2000

* cited by examiner

Primary Examiner—Jeffrey Asch

(74) *Attorney, Agent, or Firm*—Ezra Sutton, Esq.

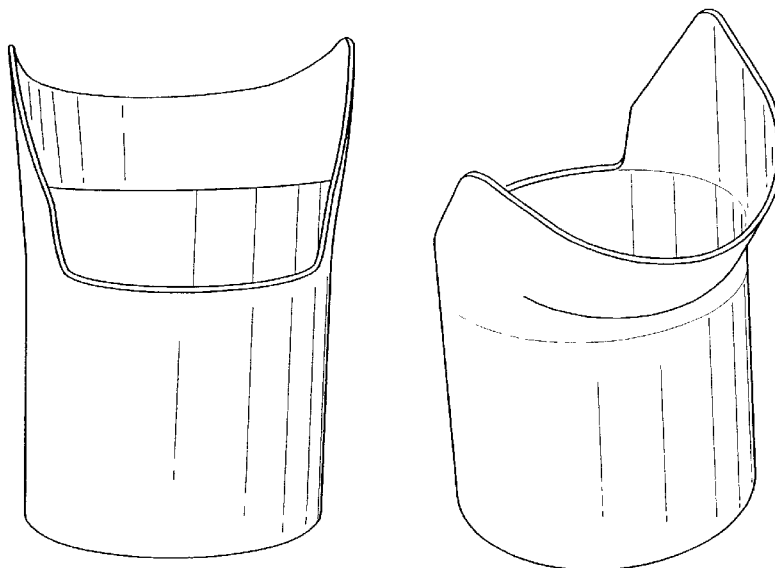
(57) **CLAIM**

The ornamental design for a cellular telephone holder, as shown and described.

DESCRIPTION

FIG. 1 is a front perspective view of a cellular telephone holder embodying my new design;
 FIG. 2 is a front elevational view thereof;
 FIG. 3 is a rear elevational view thereof;
 FIG. 4 is a right side elevational view thereof, and the left side elevational view being a mirror image thereof;
 FIG. 5 is a top plan view thereof;
 FIG. 6 is a bottom plan view thereof; and,
 FIG. 7 is a rear perspective view of a cellular telephone holder embodying my new design.

1 Claim, 7 Drawing Sheets



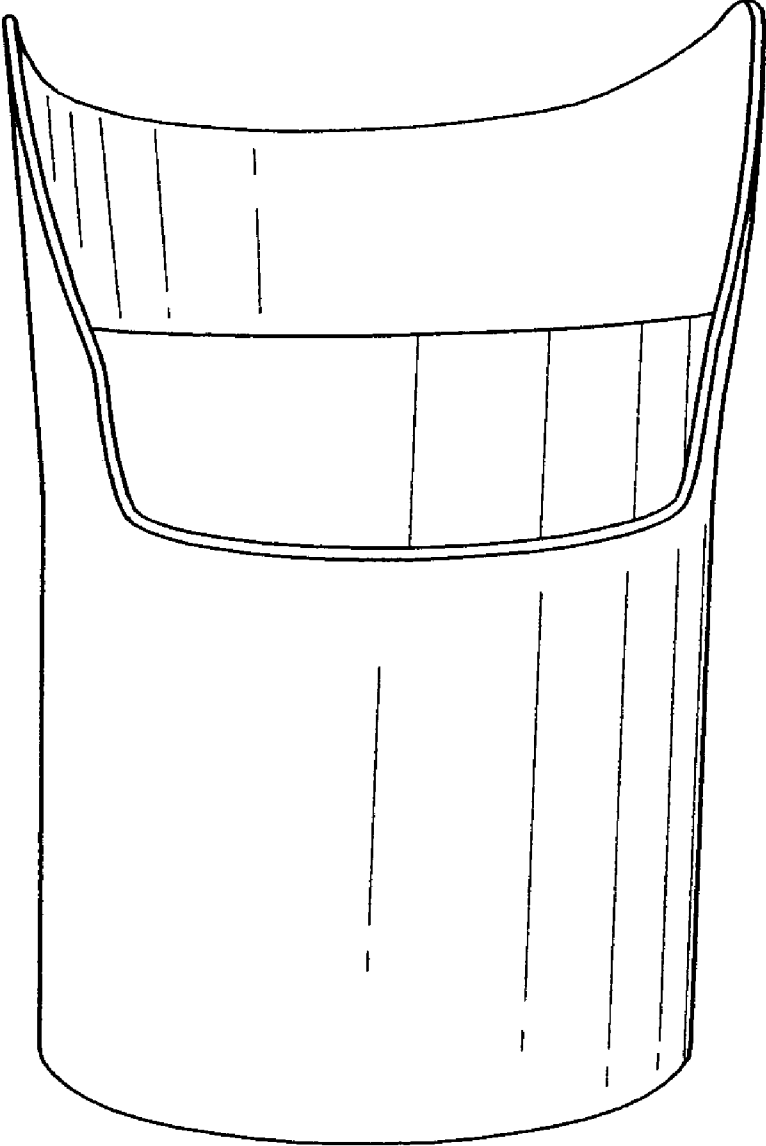


FIG. 1

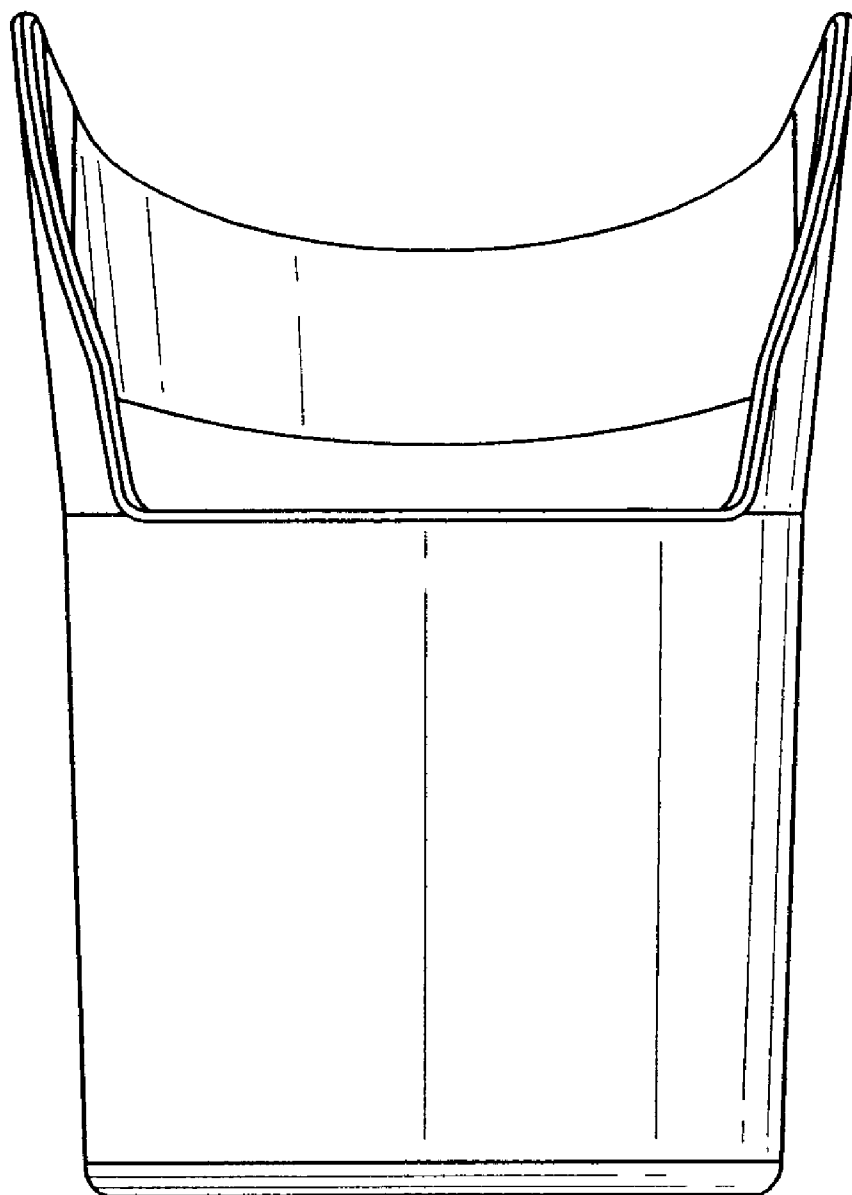


FIG. 2

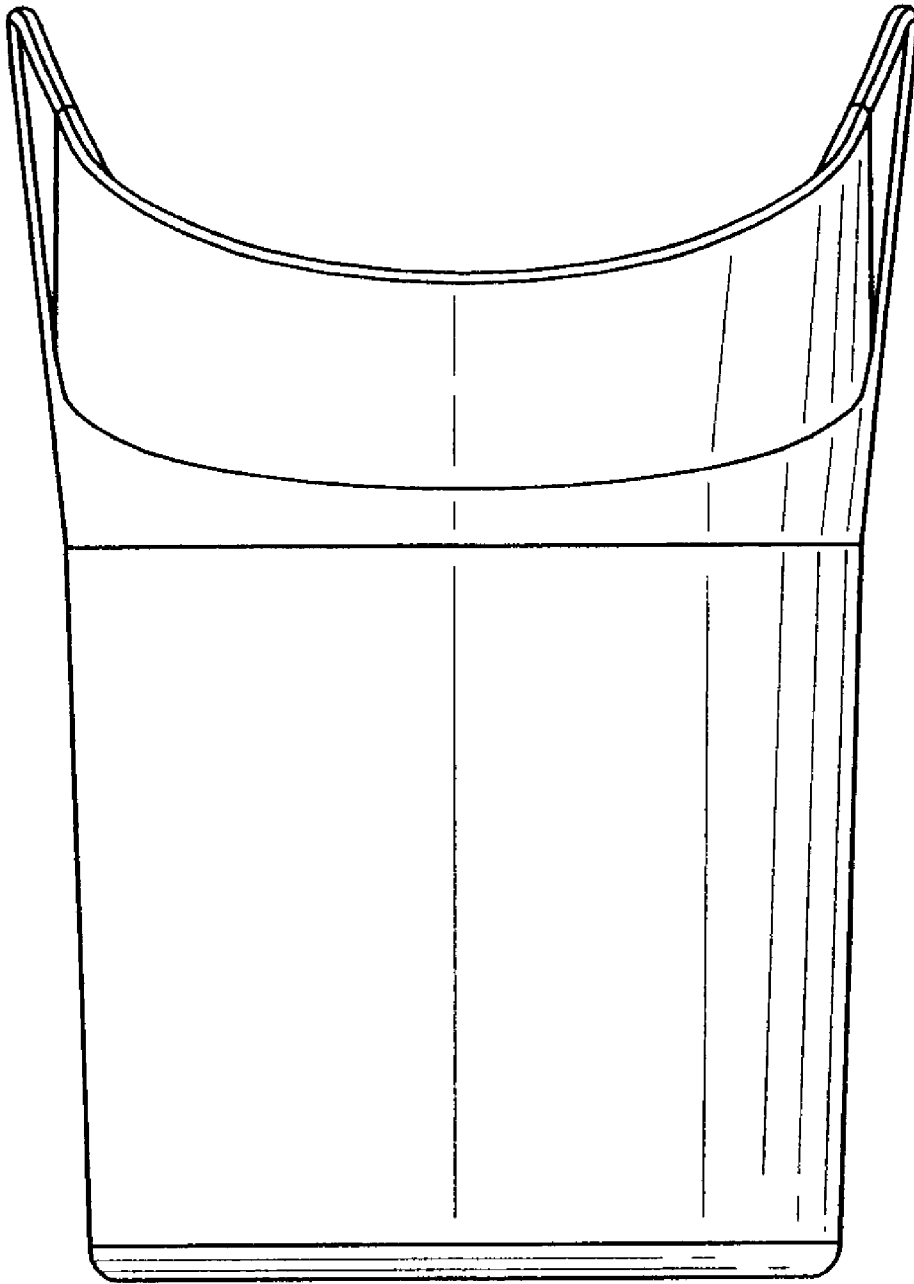


FIG. 3

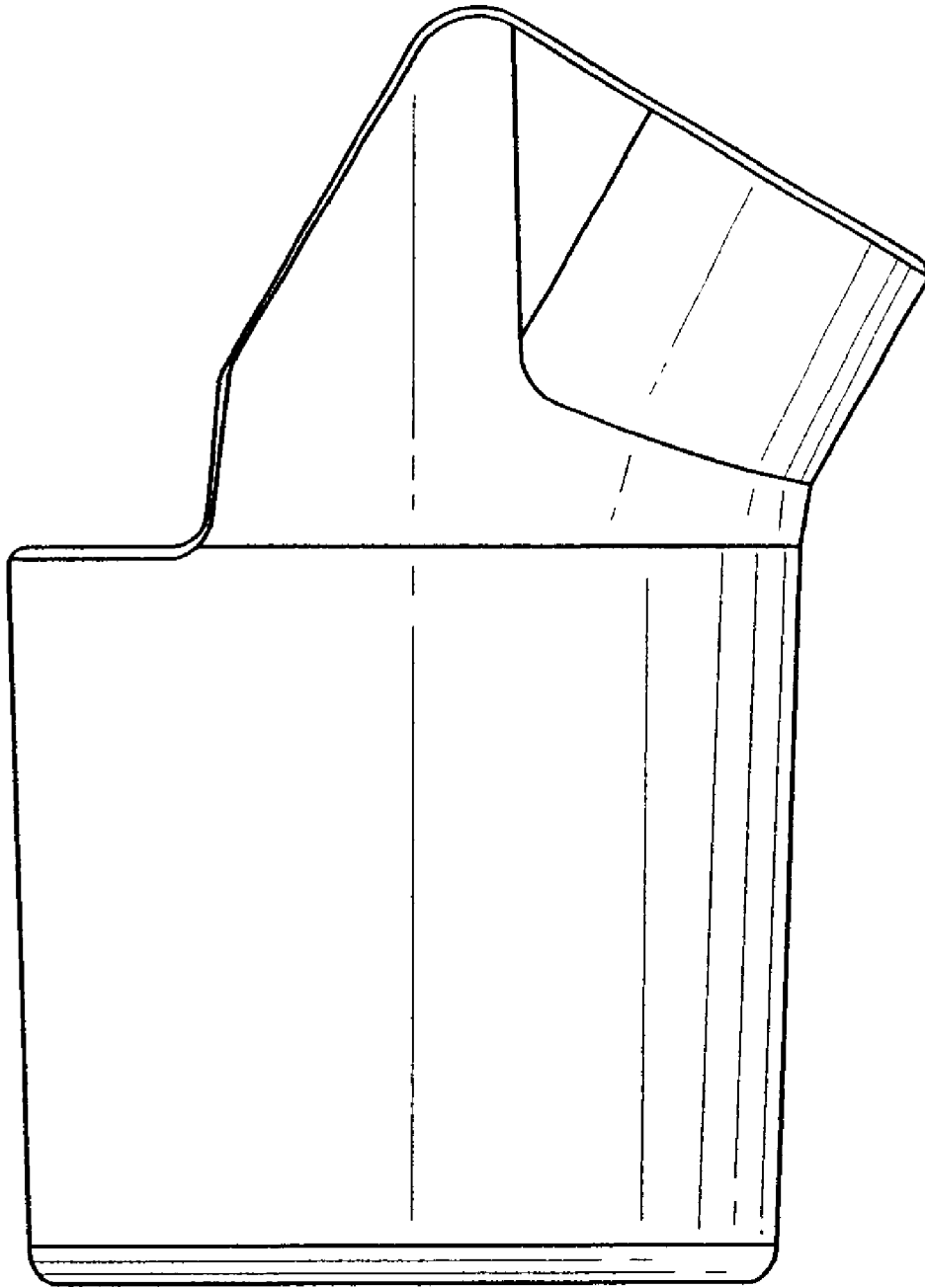


FIG. 4

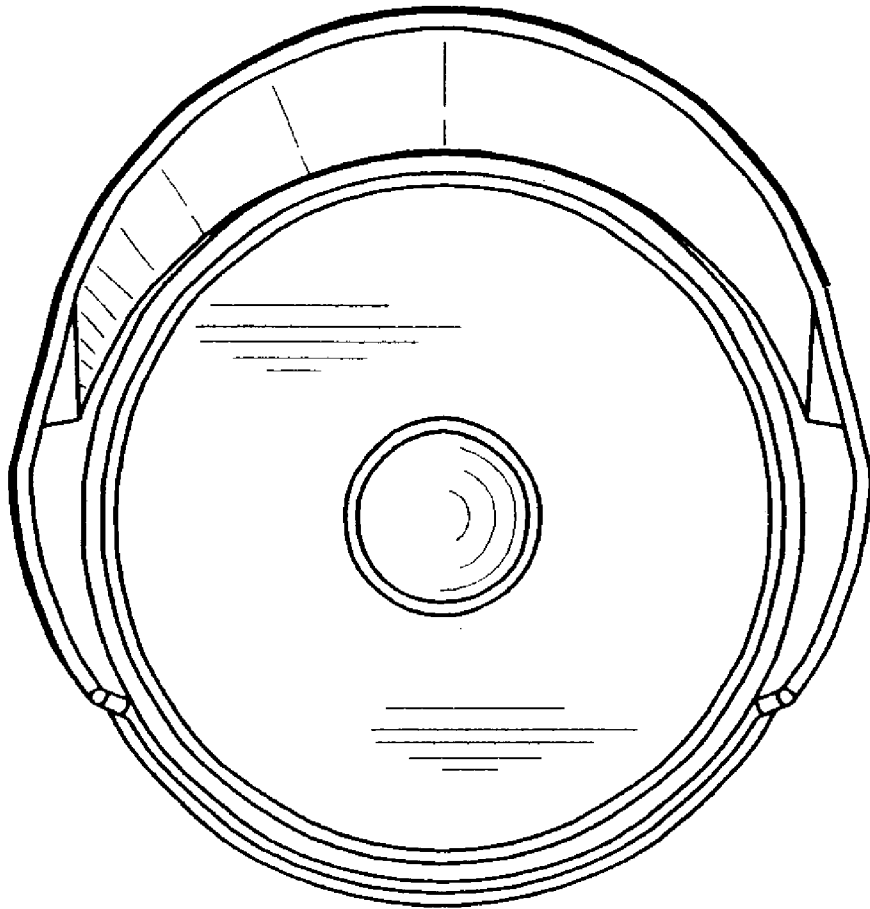


FIG. 5

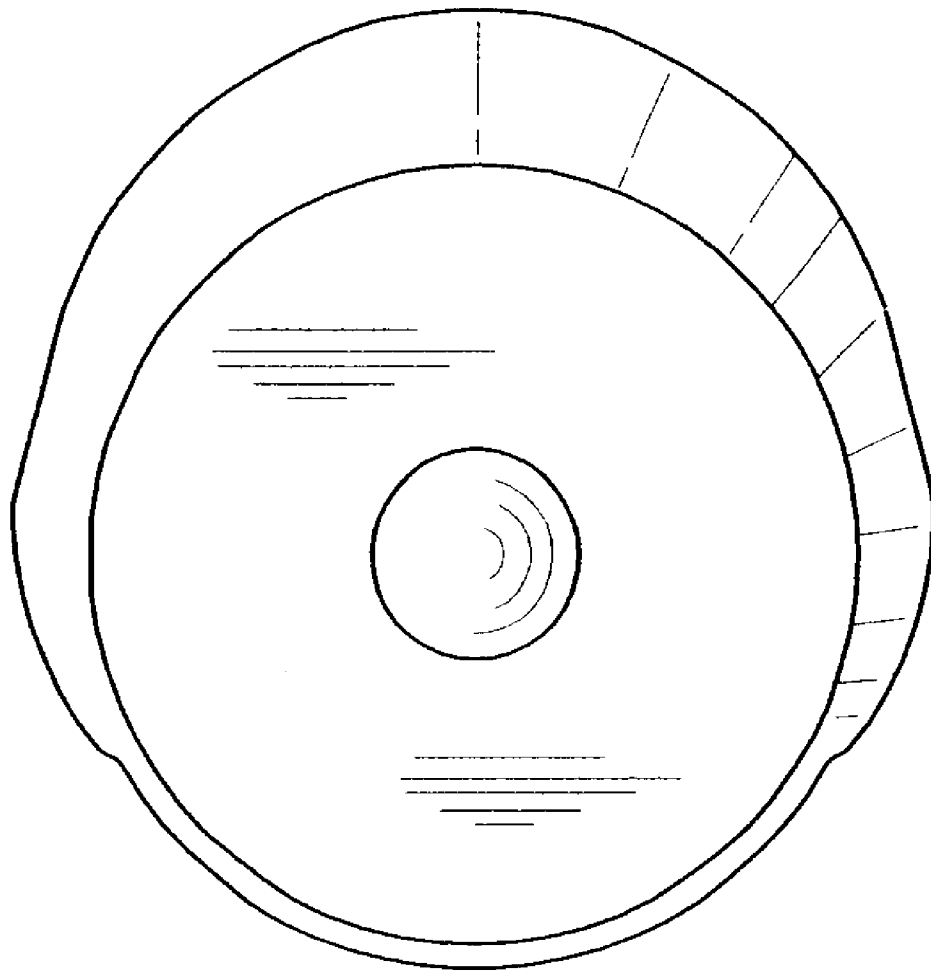


FIG. 6

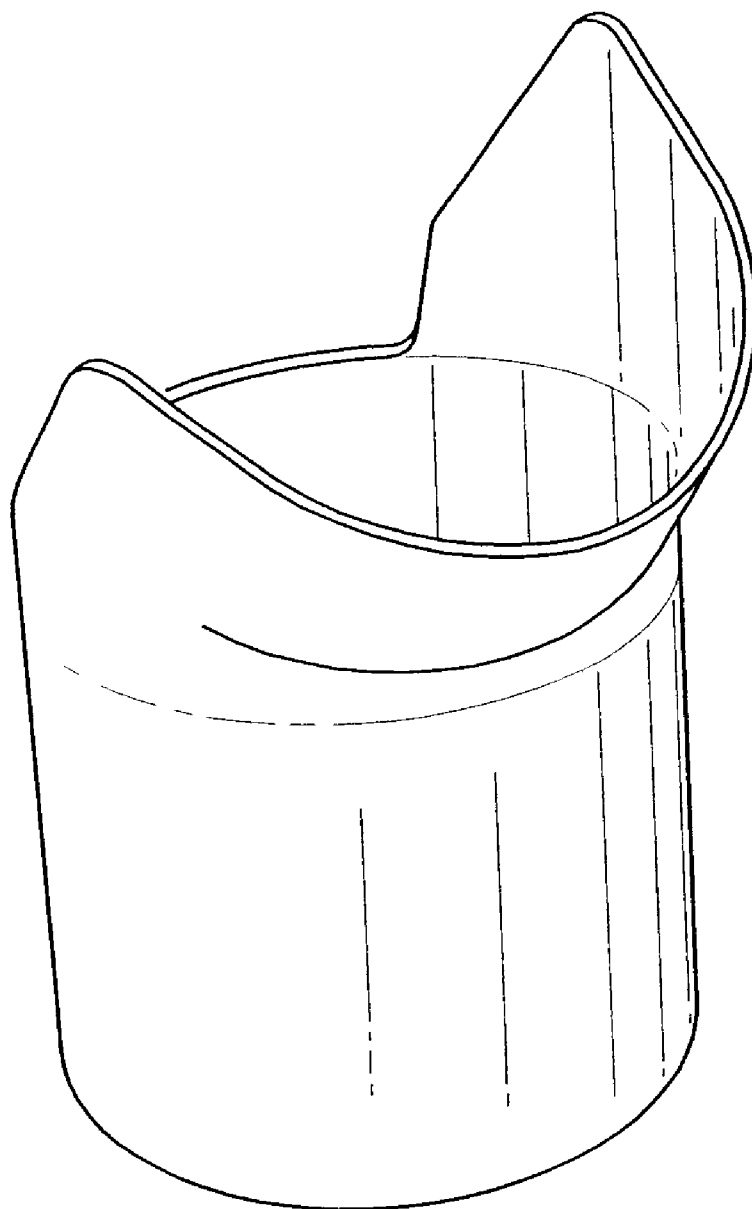


FIG. 7