



US00D994042S

(12) **United States Design Patent**
Ginman et al.

(10) **Patent No.:** **US D994,042 S**

(45) **Date of Patent:** **** Aug. 1, 2023**

(54) **BUILDING BLOCK FROM A TOY BUILDING SET**

(71) Applicant: **MODU ApS**, Frederiksberg (DK)

(72) Inventors: **Theo Fischer Ginman**, Frederiksberg (DK); **Jonathan Rasmussen**, Copenhagen (DK)

(73) Assignee: **MODU ApS**, Frederiksberg (DK)

(**) Term: **15 Years**

(21) Appl. No.: **29/807,821**

(22) Filed: **Sep. 15, 2021**

Related U.S. Application Data

(62) Division of application No. 29/640,539, filed on Mar. 15, 2018, now Pat. No. Des. 933,756.

Foreign Application Priority Data

(30)

Sep. 19, 2017 (EM) 004362655-0001
Sep. 19, 2017 (EM) 004362655-0002
Sep. 19, 2017 (EM) 004362655-0003
Sep. 19, 2017 (EM) 004362655-0004
Sep. 19, 2017 (EM) 004362655-0005

(51) **LOC (14) Cl.** **21-01**

(52) **U.S. Cl.**
USPC **D21/503**

(58) **Field of Classification Search**
USPC D21/468, 478, 479, 484-505
CPC A63H 33/04; A63H 33/044; A63H 33/06;
A63H 33/062; A63H 33/086; A63H
33/088; A63H 33/10; A63H 33/101;
A63H 33/107; A63H 33/108; A63H 33/12
See application file for complete search history.

(56) **References Cited**

U.S. PATENT DOCUMENTS

1,051,893 A	2/1913	Fastener	
2,052,600 A *	9/1936	Boss	B23Q 1/015 82/149
2,093,341 A *	9/1937	Reiche	A63H 33/102 446/124
3,165,750 A	1/1965	Tell	
3,205,611 A	9/1965	Onanian	
3,225,807 A *	12/1965	Watkins	F16B 39/34 411/304
3,235,975 A	2/1966	Pierson	
3,975,858 A	8/1976	Much	
4,012,153 A *	3/1977	Pidgeon	F16B 7/185 403/231
4,032,155 A	6/1977	Thomas	
4,182,072 A	1/1980	Much	
4,267,662 A *	5/1981	Gordy	A63H 33/04 446/224
4,458,411 A	6/1984	Bril	

(Continued)

Primary Examiner — Cynthia M. Chin

(74) *Attorney, Agent, or Firm* — Dinsmore & Shohl LLP

(57)

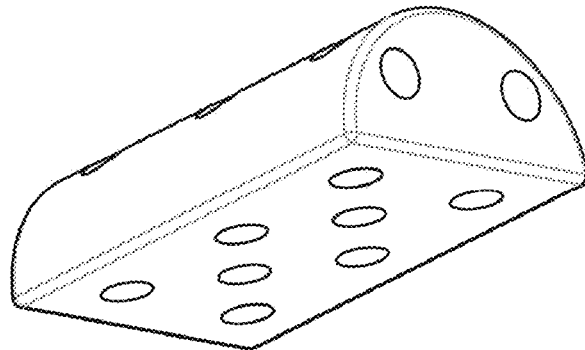
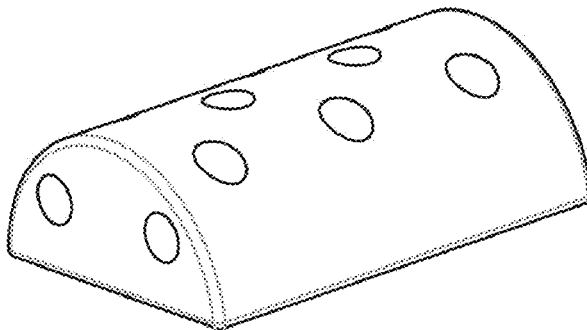
CLAIM

The ornamental design for a building block from a toy building set, as shown and described.

DESCRIPTION

FIG. 1 is a perspective view, from above, of a building block in accordance with the present invention;
FIG. 2 is a perspective view, from below, of the building block of FIG. 1;
FIG. 3 is an end view of the building block of FIGS. 1 and 2, the opposite end view being identical thereto;
FIG. 4 is a side view of the building block of FIGS. 1-3, the opposite side view being identical thereto;
FIG. 5 is a top view of the building block of FIGS. 1-4; and
FIG. 6 is a bottom view of the building block of FIGS. 1-5.

1 Claim, 6 Drawing Sheets



(56)

References Cited

U.S. PATENT DOCUMENTS

D276,926	S *	12/1984	Petersson	D21/501
4,602,908	A	7/1986	Kroeber	
4,719,738	A	1/1988	Lee	
D315,183	S	3/1991	Meyer	
D315,379	S	3/1991	Meyer	
5,009,599	A	4/1991	Mueller	
5,013,245	A	5/1991	Benedict	
5,046,899	A	9/1991	Nishi	
D352,077	S	11/1994	Sher	
D411,591	S *	6/1999	Laserna Fernandez	D21/500
D497,182	S *	10/2004	McCartney	D21/500
7,063,481	B2 *	6/2006	Trull	E04H 15/44 403/396
D594,512	S	6/2009	Richards et al.	
D697,146	S	1/2014	Richards et al.	
9,216,344	B1	12/2015	Peale	
10,058,792	B2	8/2018	Slepov	
D845,400	S	4/2019	MacArthur	
D869,568	S *	12/2019	MacArthur	D21/502
D872,186	S *	1/2020	Mason	D21/336
10,617,969	B2 *	4/2020	Landau	A63H 33/107
D921,127	S *	6/2021	Kendall	D21/499
D932,559	S *	10/2021	Asao	D21/500
D933,756	S *	10/2021	Ginman	D21/501
2007/0130874	A1	6/2007	Teng-Fu	
2009/0205997	A1	8/2009	Richards et al.	
2016/0375371	A1	12/2016	Slepov	

* cited by examiner

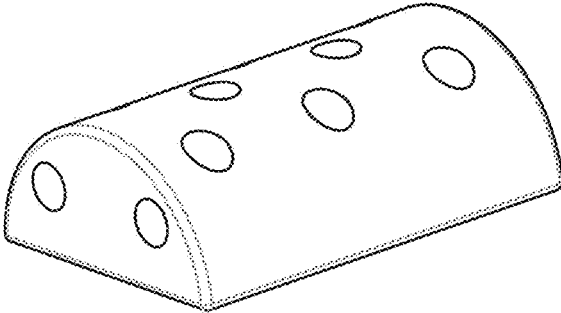


FIG. 1

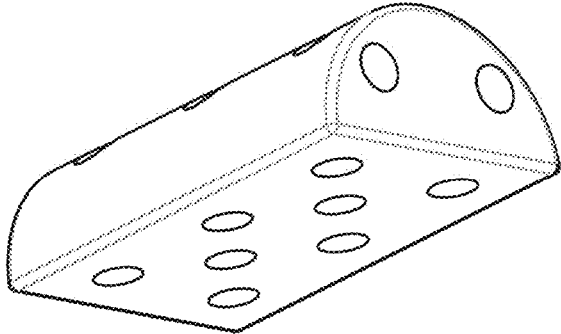


FIG. 2

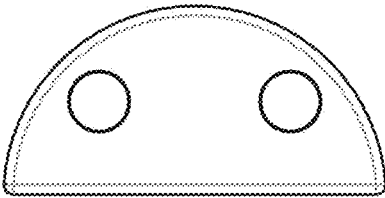


FIG. 3

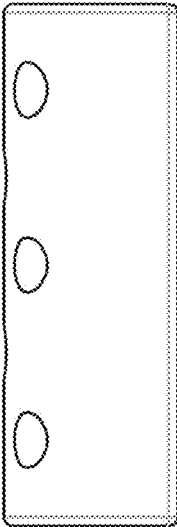


FIG. 4

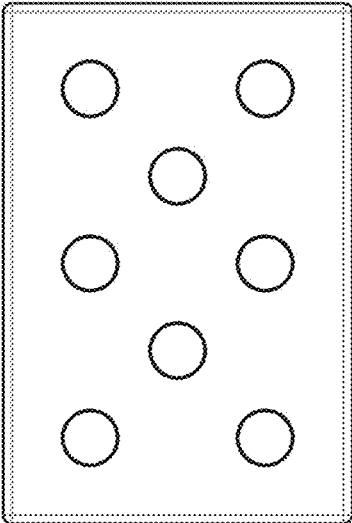


FIG. 5

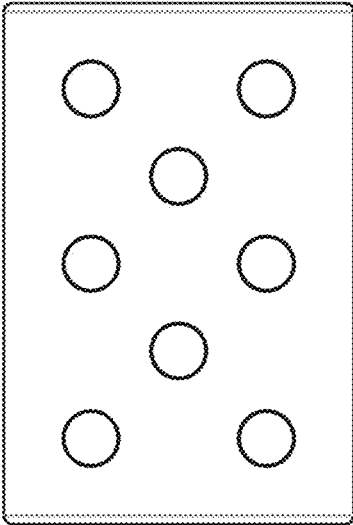


FIG. 6