

United States Patent [19]

Boyd et al.

[11] **Des. 243,900**

[45] **** Apr. 5, 1977**

- [54] **CABINET FOR PHOTOGRAPHIC SHEET PRODUCTS**
- [75] Inventors: **William Paul Boyd**, Macedon; **Mark John Morse**, Ontario, both of N.Y.
- [73] Assignee: **Eastman Kodak Company**, Rochester, N.Y.
- [**] Term: **14 Years**
- [21] Appl. No.: **632,753**
- [22] Filed: **Nov. 17, 1975**
- [51] Int. Cl. **D6-04**
- [52] U.S. Cl. **D6/158**
- [58] Field of Search **D6/158-167, D6/127-129, 191, 199**

- [56] **References Cited**
U.S. PATENT DOCUMENTS
- D. 132,962 7/1942 Salomon D6/191 X
D. 232,206 7/1974 Geddis D6/191 X
- Primary Examiner*—Bruce W. Dunkins
Attorney, Agent, or Firm—James A. Smith

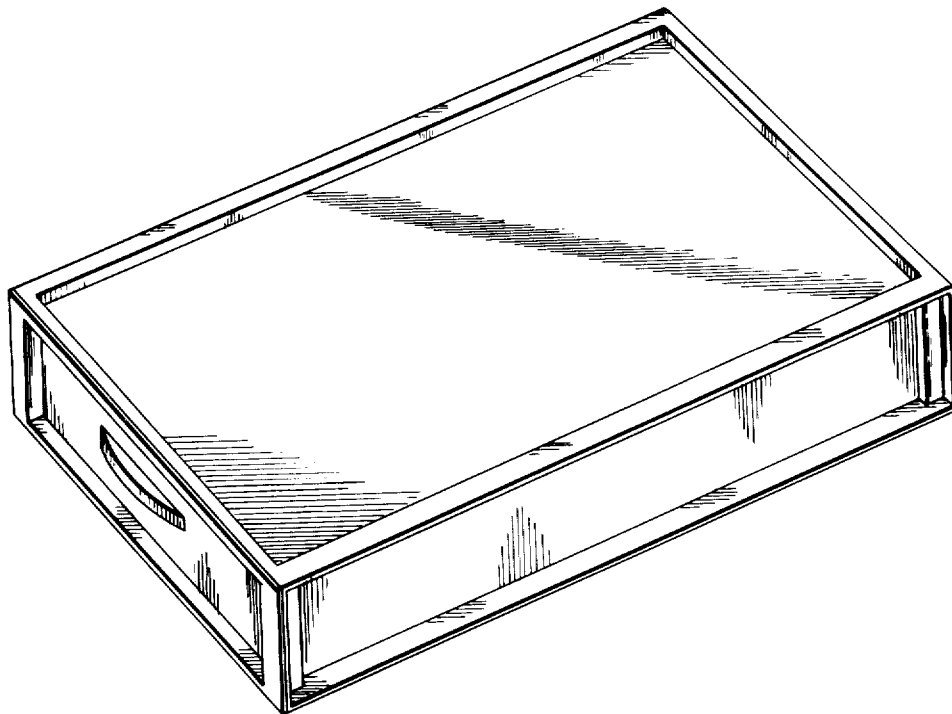
[57] **CLAIM**

The ornamental design for a cabinet for photographic sheet products, as shown.

DESCRIPTION

FIG. 1 is an isometric view of the cabinet showing the front, top, and right side thereof.

FIG. 2 is an isometric view of the cabinet as viewed from the left rear corner in FIG. 1, showing the back, bottom and left side thereof.



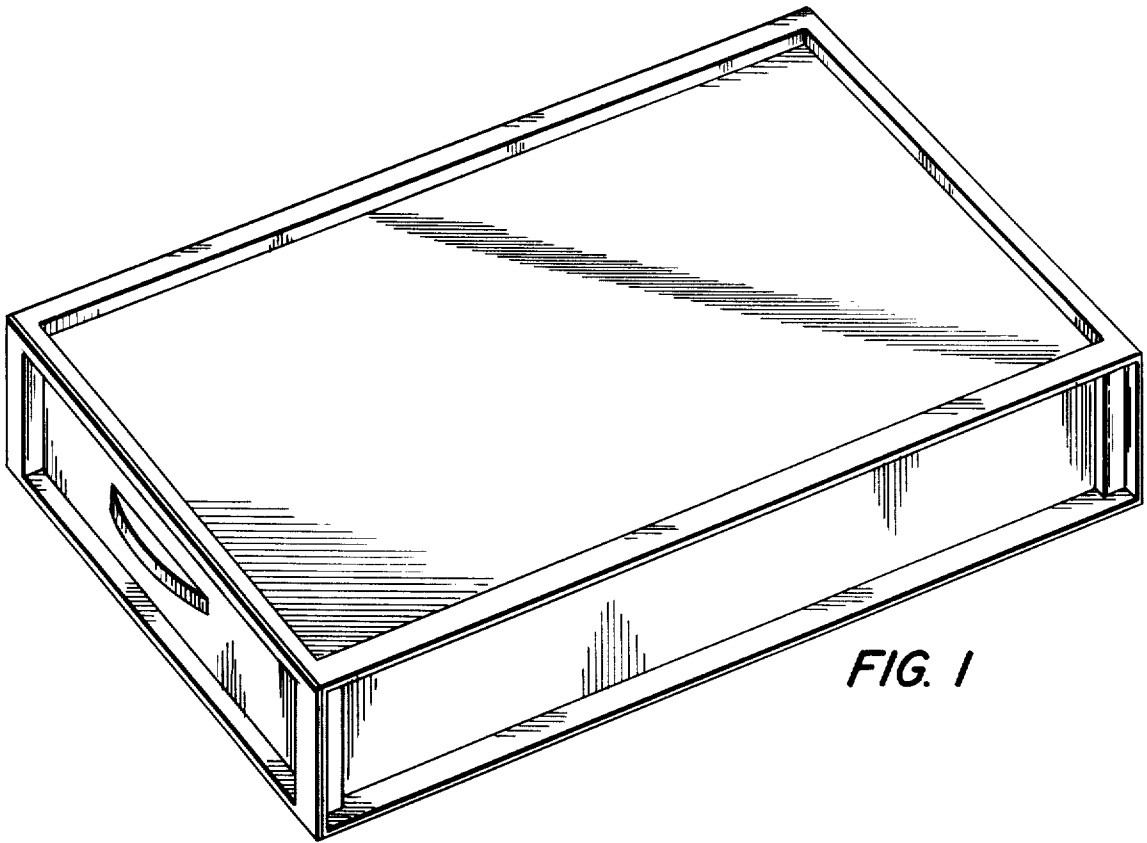


FIG. 1

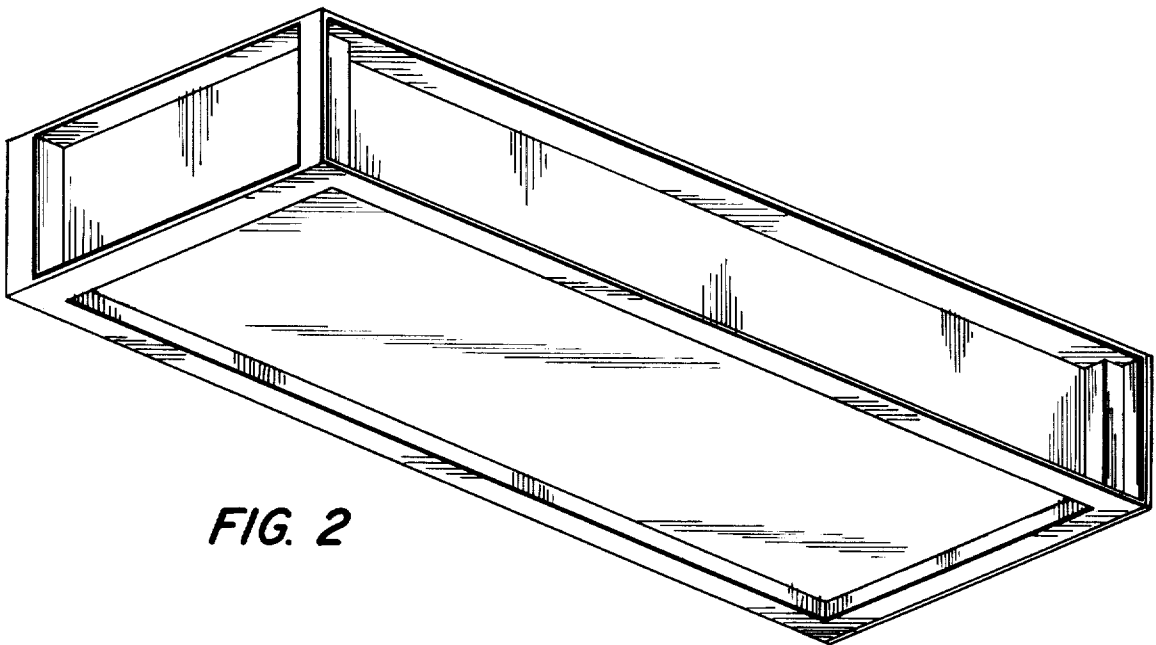


FIG. 2