

(21) Application No 8927759.4

(22) Date of filing 08.12.1989

(30) Priority data

(31) 8829543

(32) 19.12.1988

(33) GB

(51) INT CL⁵

A61M 5/32

(52) UK CL (Edition K)

A5R RCX

(56) Documents cited

GB 1255994 A

EP 0225951 A1

US 4488643 A

(58) Field of search

UK CL (Edition J) A5R RCX RGG

INT CL⁴ A61M

(71) Applicant

Mary Maureen McNeish
4 The Old Stackyard, Park Lane, Heighington, Lincoln,
Lincs, LN4 1RF, United Kingdom

(72) Inventor

Mary Maureen McNeish

(74) Agent and/or Address for Service

Mary Maureen McNeish
4 The Old Stackyard, Park Lane, Heighington, Lincoln,
Lincs, LN4 1RF, United Kingdom

(54) Safe syringe guard

(57) The new Safe Syringe Guard is a single one to one disposal unit to accommodate a single used syringe and attached used needle. It is a hollow cone-shaped container: Fig 1. made of a hard impenetrable material with an umbilical attached secure snap-on lid.

A Safe Syringe Guard, can be made to any size to accommodate any combination in size of used syringe and attached used needle. Once used the Safe Syringe Guard and its contaminated contents are disposed of by incineration.

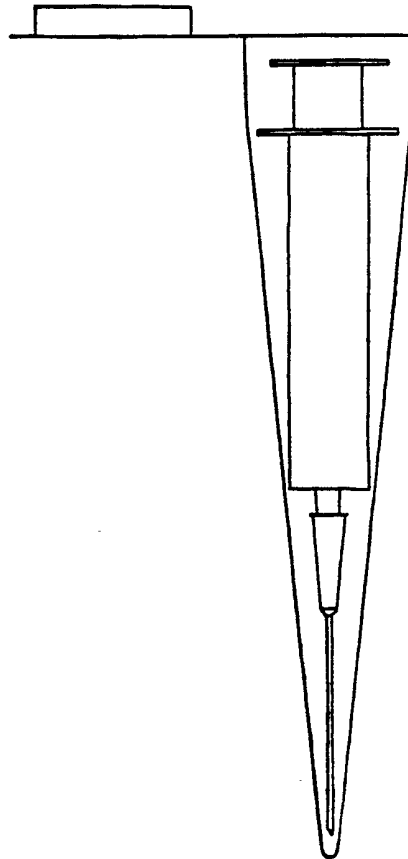


FIG 1

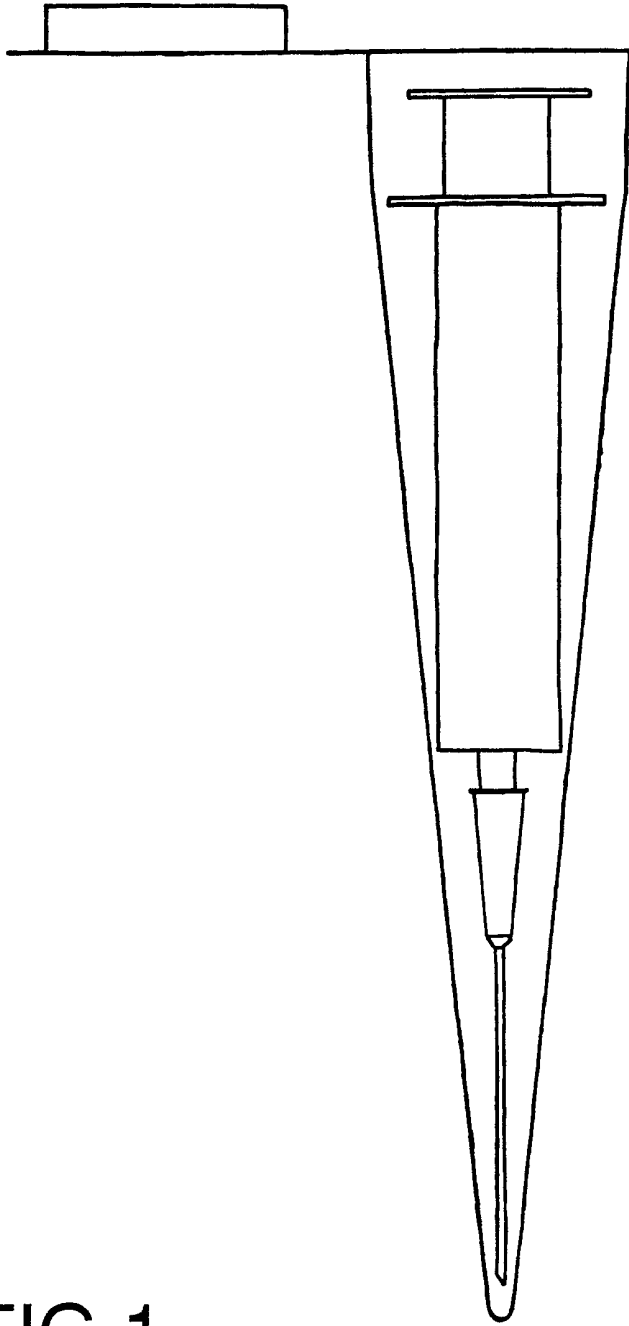


FIG 1

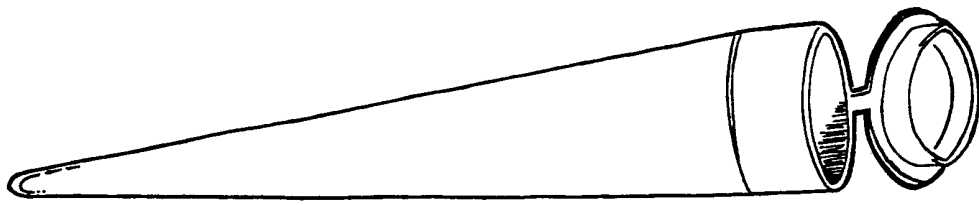


FIG 2

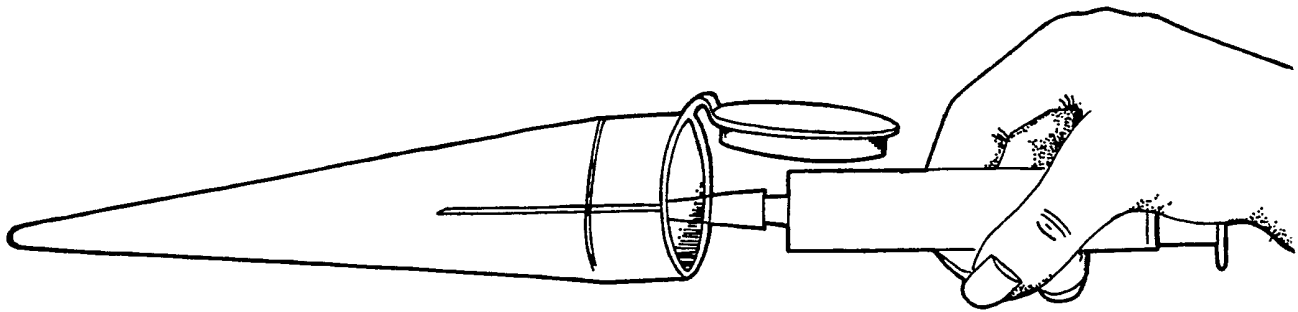


FIG 3

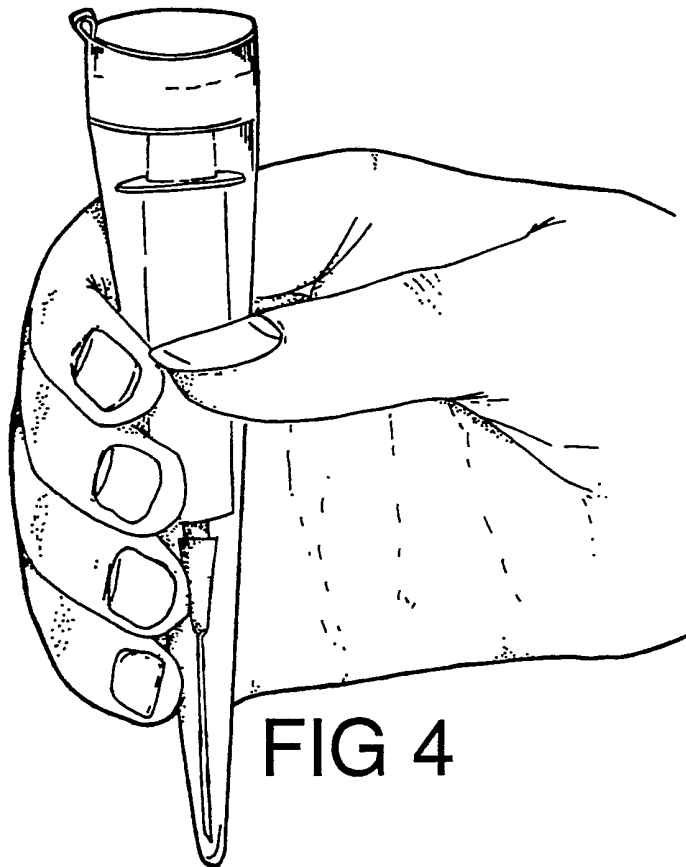


FIG 4

SAFE SYRINGE GUARD

This invention relates to a new Safe Syringe Guard. It is a hollow cone-shaped, single disposal unit with an umbilical attached secure snap-on lid, it should be made of a hard impenetrable material, Fig 1. - used for the one to one disposal of a used syringe and attached used needle.

Other disposal units for used syringes and used needles are designed to accommodate more than one used syringe and needle. Some have sides which a used needle can penetrate, causing accidental needle-stick injury to any handler. Other types of disposal containers have flap-lids, which become contaminated with body-fluids, when the used syringe and needles enter the container. When dropped, other containers dispel their multiple contaminated contents of used syringes and needles, again cross-infecting any handlers.

The new Safe Syringe Guard can be made to any size to accommodate any size of used syringe with attached used needle combination.

Direction for use of the Safe Syringe Guard will now be described by way of example, with reference to the accompanying diagrams in which:-

Fig 2 - shows in perspective, the Safe Syringe Guard in position on its side, on a flat surface, waiting to receive a used syringe and attached used needle.

Fig 3 - Illustrates the insertion, by using the working hand only, of the used syringe and attached used needle into the Safe Syringe Guard.

Fig 4 - Shows the used syringe and attached used needle in position inside the Safe Syringe Guard with the umbilical attached lid securely closed.

The Safe Syringe Guard and its contaminated contents should now be incinerated.

Claims

1. A Safe Syringe Guard comprises, a single hollow cone-shaped, disposal unit with an umbilical attached secure snap-on lid -made of a hard impenetrable material, used for the one to one disposal of a used syringe and attached used needle-Fig 1.
 2. This Safe Syringe Guard, being a single one to one disposal unit, places the responsibility for the safe disposal of the used syringe and attached used needle with the professional individual i.e. Doctor, Nurse, Technician, who has carried out the procedure.
 3. By using the working hand only to insert the used syringe and attached used needle into the Safe Syringe Guard- the user eliminates the risk of accidental needle-stick injury to themselves- Fig 3.
 4. Once the used syringe and attached used needle is inside the Safe Syringe Guard, and the secure snap on lid is down Fig 4. - the contaminated used needle cannot penetrate the sides of the Safe Syringe Guard container.
 5. If tipped or dropped the contaminated contents of the Safe Syringe Guard cannot be dispelled from the container prior to incineration.
- Nos 4 and 5 ensures the safety from accidental needle stick injury to all other handlers.