



US00D833813S

(12) **United States Design Patent**  
**Smith**

(10) **Patent No.:** **US D833,813 S**

(45) **Date of Patent:** **\*\* Nov. 20, 2018**

(54) **BLENDER CONTAINER**

(56) **References Cited**

- (71) Applicant: **SharkNinja Operating LLC**,  
Needham, MA (US)
- (72) Inventor: **Cory R. Smith**, Aburndale, MA (US)
- (73) Assignee: **SHARKNINJA OPERATING LLC**,  
Needham, MA (US)
- (\*\*) Term: **15 Years**
- (21) Appl. No.: **29/633,883**
- (22) Filed: **Jan. 17, 2018**

U.S. PATENT DOCUMENTS

D386,357 S	11/1997	Davidson
D387,948 S	12/1997	Leverrier
D404,247 S	1/1999	Spagnolo
D427,488 S	7/2000	Herbert
D437,730 S	2/2001	Littmann
D445,644 S	7/2001	Littmann
D450,978 S	11/2001	Smith
D484,357 S	12/2003	Seum et al.
D498,642 S	11/2004	Huang
D530,565 S	10/2006	Grcic
D532,251 S	11/2006	Kassenaar
D533,395 S	12/2006	Drees et al.
D537,674 S	3/2007	Davenport et al.

(Continued)

**Related U.S. Application Data**

- (62) Division of application No. 29/595,031, filed on Feb. 24, 2017, now Pat. No. Des. 811,166, which is a division of application No. 29/527,737, filed on May 21, 2015, now Pat. No. Des. 785,403.
- (51) **LOC (11) Cl.** ..... **31-00**
- (52) **U.S. Cl.**  
USPC ..... **D7/413**; D7/376; D7/378; D7/412
- (58) **Field of Classification Search**  
USPC ..... D7/372, 376-386, 412-413, 602, 629,  
D7/665-666, 669, 679, 693-694  
CPC .... A21C 1/02; A21C 1/04; A23N 1/00; A23N  
1/02; A47J 43/04; A47J 43/25; A47J  
43/27; A47J 43/042; A47J 43/044; A47J  
43/046; A47J 43/075; A47J 43/0722;  
A47J 43/0727; A47J 43/0777; B01F 3/00;  
B01F 3/0807; B01F 3/0853; B01F  
13/0059; B01F 13/0064; B02C 1/08;  
B02C 2/04; B02C 4/42; B02C 4/142;  
B02C 4/143; B02C 4/423; B02C 13/1835;  
B28C 5/10; B28C 5/12; B28C 5/14;  
B28C 5/16

See application file for complete search history.

OTHER PUBLICATIONS

Application for Registration of an Industrial Design Examiner's Report; Canadian Application No. 164967; Issue Date: Jan. 14, 2016; 2 Pages.

(Continued)

*Primary Examiner* — Ricky Pham

(74) *Attorney, Agent, or Firm* — Cantor Colburn LLP

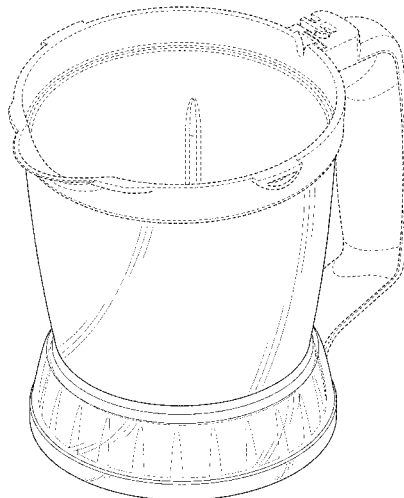
(57) **CLAIM**

The ornamental design for a blender container, as shown and described.

**DESCRIPTION**

FIG. 1 is a perspective view of an embodiment of the blender container;  
 FIG. 2 is a front elevational view thereof;  
 FIG. 3 is a rear elevational view thereof;  
 FIG. 4 is a left side elevational view thereof;  
 FIG. 5 is a right side elevational view thereof;  
 FIG. 6 is a top plan view thereof; and,  
 FIG. 7 is a bottom plan view thereof.  
 The broken lines in the drawings are for illustrative purposes only and forth no part of the claimed design.

**1 Claim, 7 Drawing Sheets**



(56)

References Cited

OTHER PUBLICATIONS

U.S. PATENT DOCUMENTS

D543,072 S 5/2007 Ting et al.  
 D553,425 S 10/2007 Steiner et al.  
 D577,537 S 9/2008 Lee  
 D617,136 S 6/2010 Bock et al.  
 D621,656 S \* 8/2010 Ulanski ..... D7/378  
 D638,256 S \* 5/2011 Wu ..... D7/376  
 D638,665 S \* 5/2011 Wu ..... D7/378  
 D642,857 S 8/2011 Bodum  
 D645,301 S 9/2011 Tse  
 D659,469 S 5/2012 Hoare et al.  
 D661,548 S 6/2012 Brinckerhoff et al.  
 D678,726 S 3/2013 Palermo et al.  
 D679,543 S 4/2013 Repac  
 D702,999 S 4/2014 Audette et al.  
 D705,606 S 5/2014 Coakley et al.  
 D731,234 S 6/2015 Weaden et al.  
 D745,317 S 12/2015 Dichraff et al.  
 D746,629 S 1/2016 Ji  
 D755,567 S 5/2016 Tu et al.  
 D759,424 S 6/2016 Ou  
 D766,039 S 9/2016 Tu et al.  
 D777,515 S 1/2017 Potter et al.  
 D782,865 S \* 4/2017 Bazzicalupo ..... D7/376  
 D783,354 S 4/2017 Smith  
 D784,761 S \* 4/2017 Tu ..... D7/376  
 D785,403 S 5/2017 Smith  
 D807,700 S \* 1/2018 Tu ..... D7/413  
 D808,718 S \* 1/2018 Coakley ..... D7/413  
 D808,719 S \* 1/2018 Coakley ..... D7/413  
 D809,342 S \* 2/2018 Coakley ..... D7/413  
 D811,166 S \* 2/2018 Smith ..... D7/413  
 D811,167 S \* 2/2018 Smith ..... D7/413  
 D820,033 S \* 6/2018 Zhang ..... D7/378  
 2006/0018189 A1 1/2006 Chang Chien  
 2008/0089171 A1 \* 4/2008 Larsen ..... A47J 43/046  
 366/206  
 2009/0114616 A1 5/2009 White et al.

Japanese Design No. D1536729 (S); Publication Date: Nov. 2, 2015; Machine Translation; 10 Pages.  
 Notice of Allowance and Fees Due; U.S. Appl. No. 29/527,737, filed May 21, 2015; Blender Container; Notification Date: Nov. 25, 2016; 11 Pages.  
 Notice of Allowance; Japanese Design Application No. 2015-026167; dated Apr. 1, 2016; 2 Pages.  
 Notice of Allowance; Japanese Design Application No. 2015-026168; dated Apr. 1, 2016; 2 Pages.  
 Notice of Allowance; Japanese Design Application No. 2015-026169; dated Apr. 1, 2016; 2 Pages.  
 Notice of Allowance; U.S. Appl. No. 29/595,031, filed Feb. 24, 2017; Blender Container; Notification Date: Oct. 17, 2017; 7 Pages.  
 Notice of Completion of Formalities for Patent Register and Notice of Grant of Design Patent Right; Chinese Application No. 2015304632985; dated Mar. 16, 2016; 2 Pages.  
 Notice of Decision for Design Registration; Korean Application No. 30-2015-0058153 [M001]; dated May 23, 2016; 6 Pages.  
 Notice of Decision for Design Registration; Korean Application No. 30-2015-0058153 [M002]; dated May 23, 2016; 6 Pages.  
 Notice of Decision for Design Registration; Korean Application No. 30-2015-0058153 [M003]; dated May 23, 2016; 6 Pages.  
 Notice of References; Japanese Design Application No. 2015-026167; dated Apr. 1, 2016; 2 Pages.  
 Notice of References; Japanese Design Application No. 2015-026168; dated Apr. 1, 2016; 2 Pages.  
 Notice of References; Japanese Design Application No. 2015-026169; dated Apr. 1, 2016; 2 Pages.  
 Requirement for Restriction/Election; U.S. Appl. No. 29/527,737, filed May 21, 2015; Blender Container; Notification Date: Jul. 26, 2016; 6 Pages.  
 Requirement for Restriction/Election; U.S. Appl. No. 29/595,031, filed Feb. 24, 2017; Blender Container; Notification Date: Jul. 5, 2017; 14 Pages.

\* cited by examiner

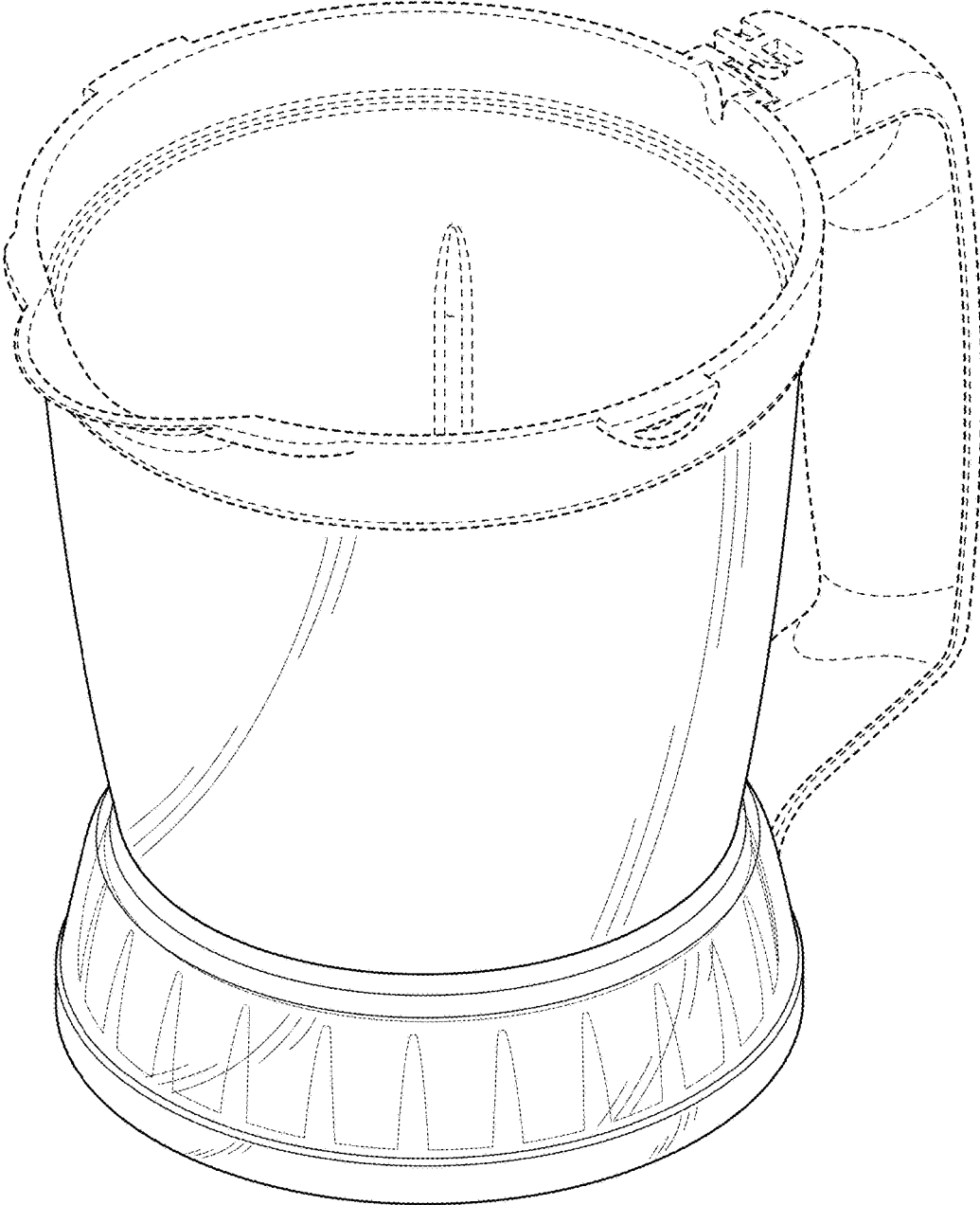


FIG. 1

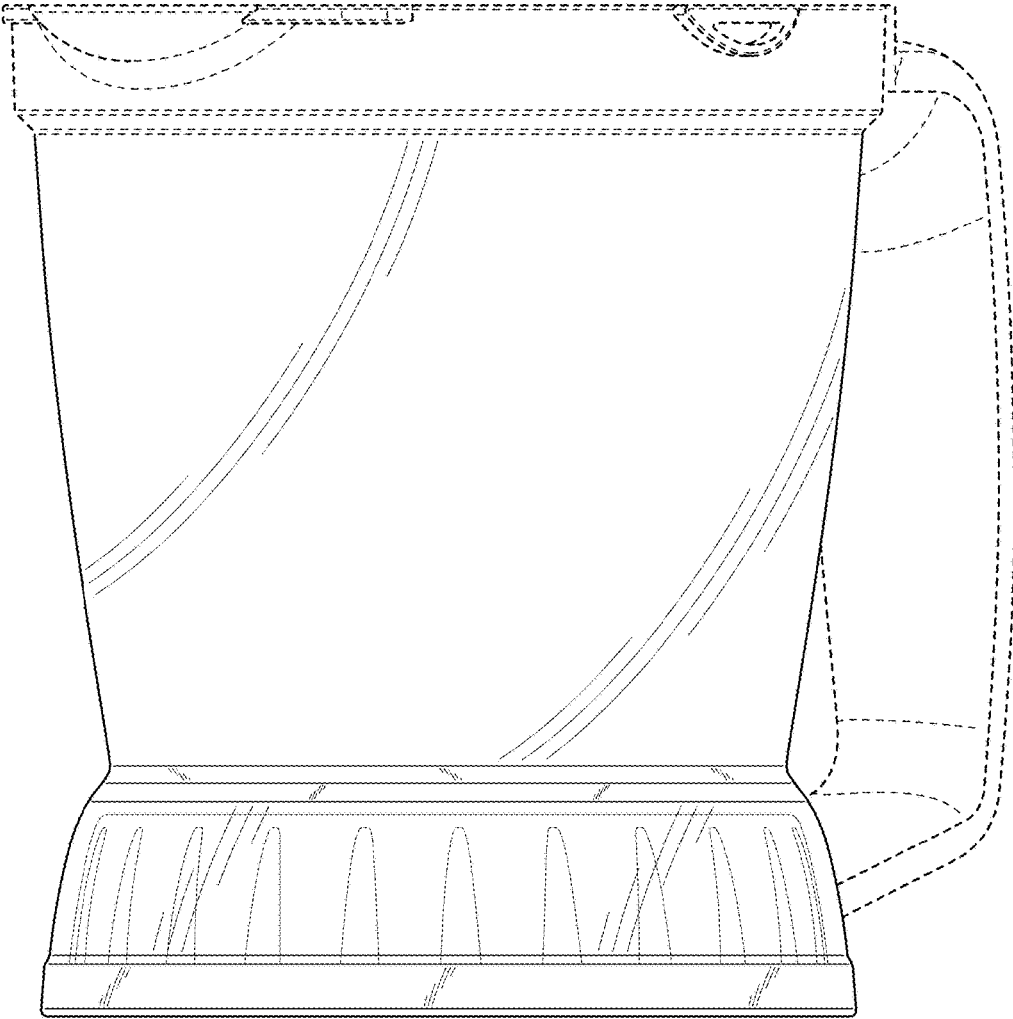


FIG. 2

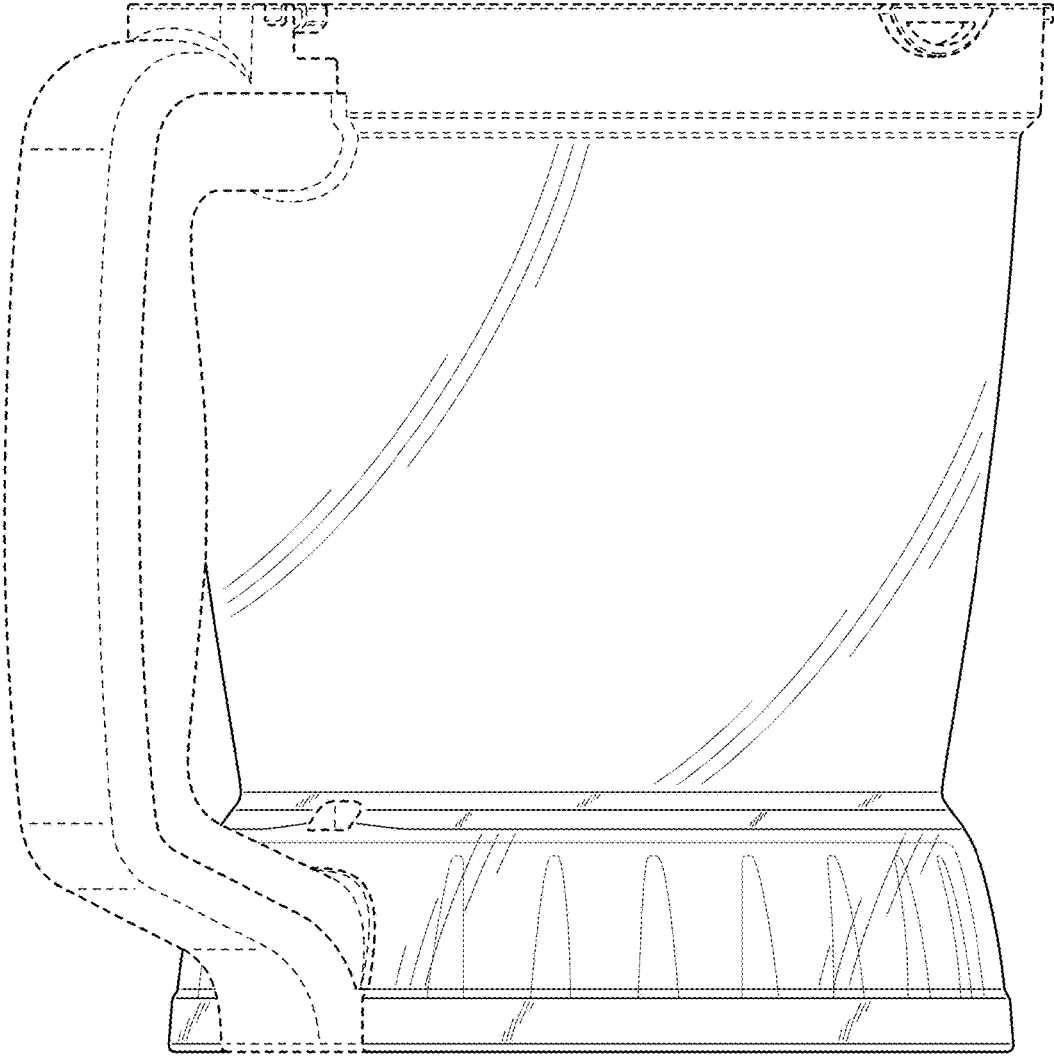


FIG. 3

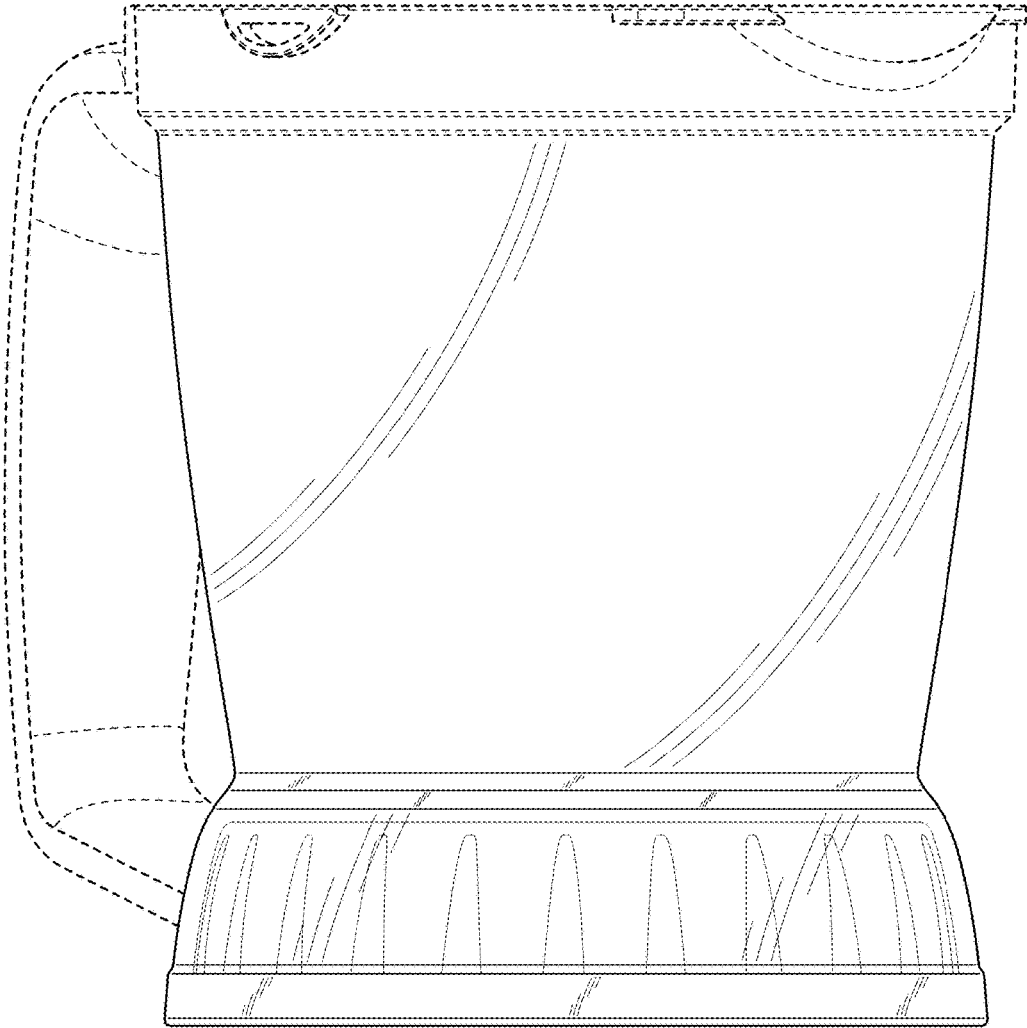


FIG. 4

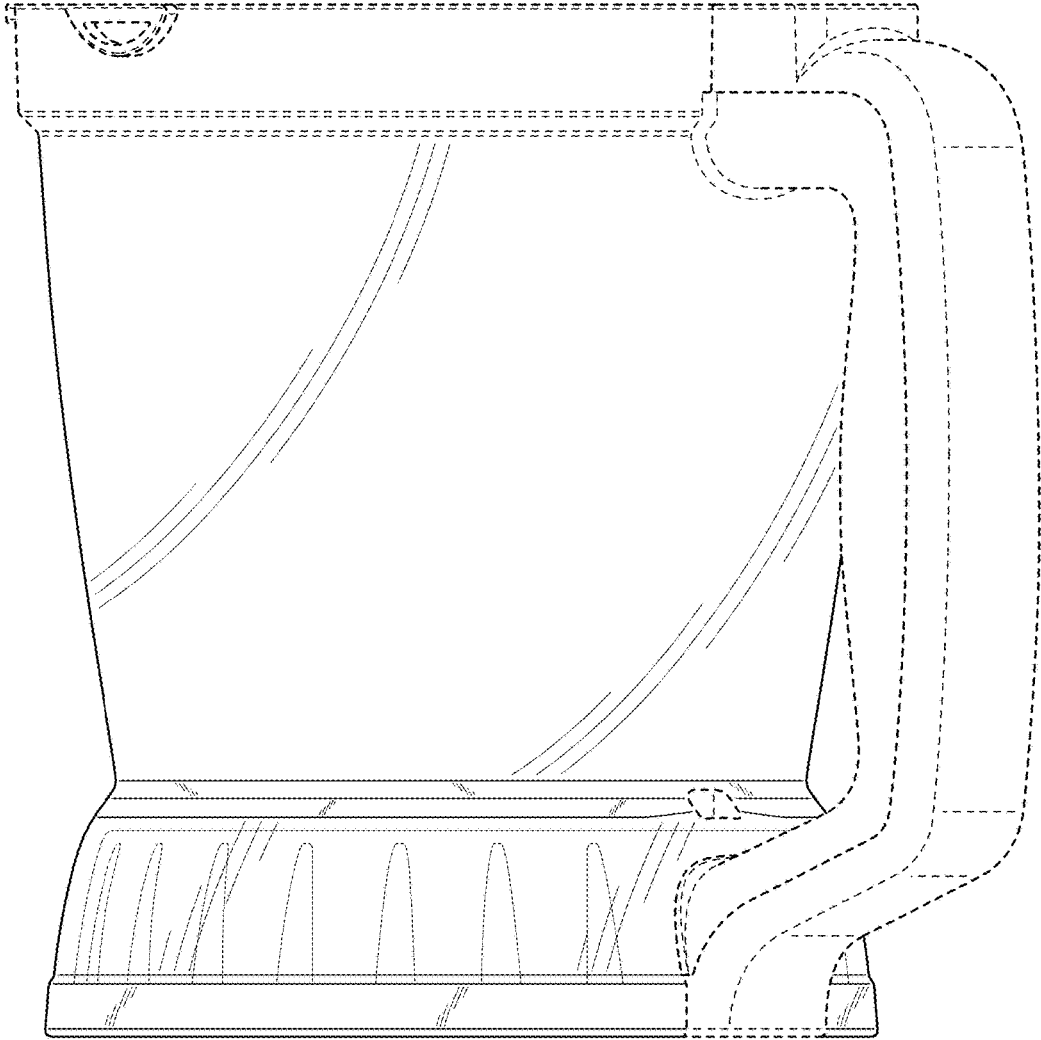


FIG. 5

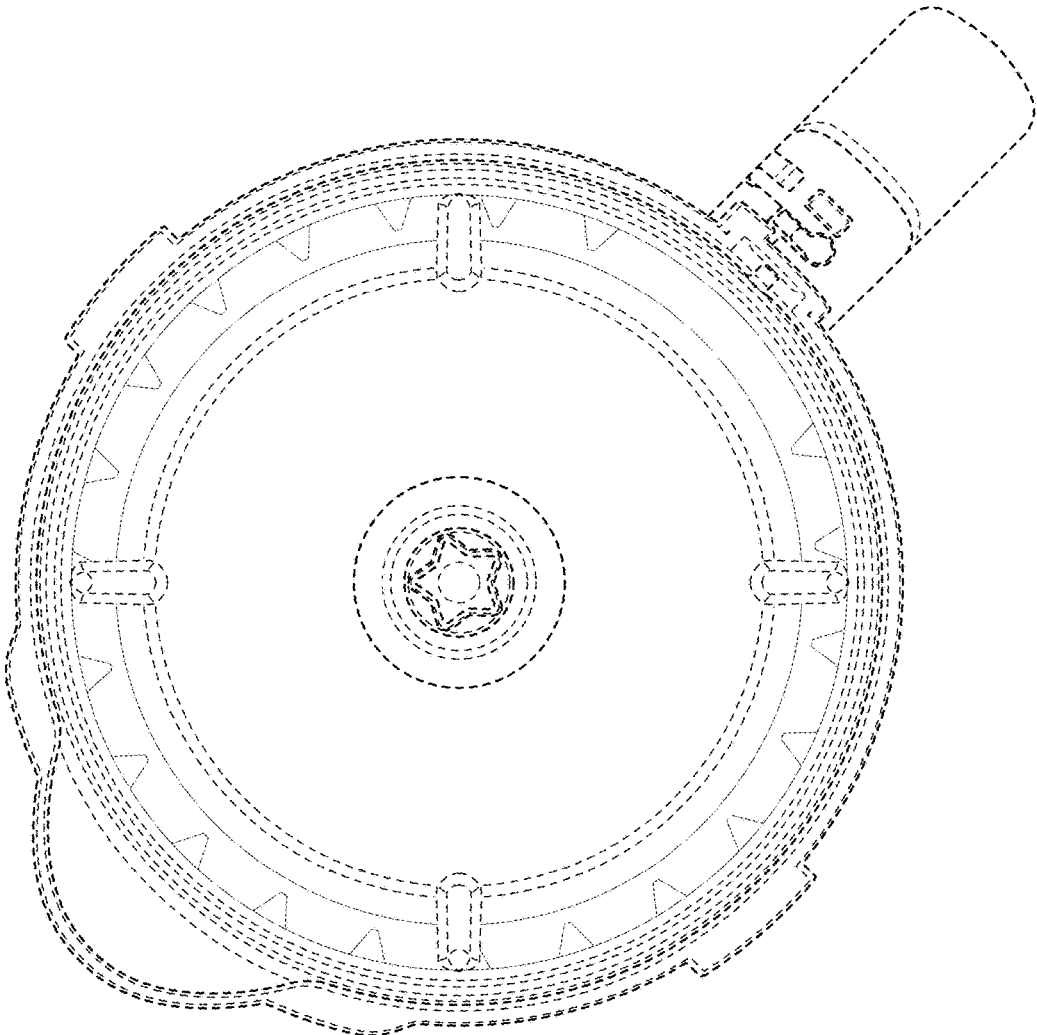


FIG. 6



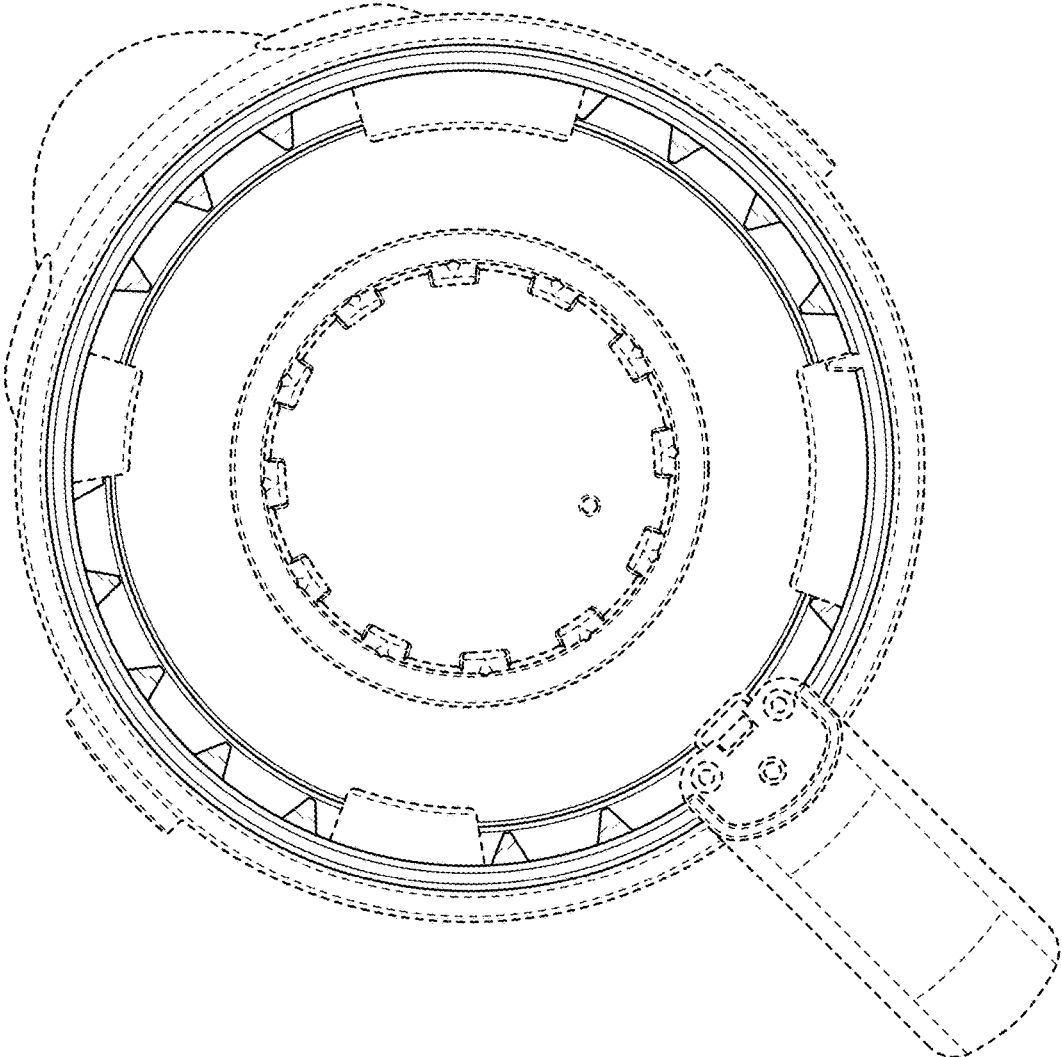


FIG. 7