



US00D444798S

(12) **United States Design Patent**
Morgan

(10) **Patent No.:** **US D444,798 S**

(45) **Date of Patent:** **** Jul. 10, 2001**

- (54) **SINGLE HOTDOG**
- (75) **Inventor:** **Fred M. Morgan, Jackson, TN (US)**
- (73) **Assignee:** **DeVilbiss Air Power Company, Jackson, TN (US)**
- (**) **Term:** **14 Years**
- (21) **Appl. No.:** **29/119,838**
- (22) **Filed:** **Mar. 8, 2000**
- (51) **LOC (7) Cl.** **15-02**
- (52) **U.S. Cl.** **D15/9**
- (58) **Field of Search** D15/7-9; 417/234, 417/360, 44.9, 362; 248/675; 92/58.1; 222/3; 137/899.4, 569

- D. 352,292 * 11/1994 Morgan D15/9
- D. 352,293 * 11/1994 Morgan D15/9
- D. 352,294 * 11/1994 Morgan D15/9
- 1,730,319 * 10/1929 Dilks, Jr. 417/44.9
- 1,846,655 * 2/1932 Rayfield 417/243
- 2,136,098 * 11/1938 Browne 137/565

* cited by examiner

Primary Examiner—Ralf Seifert

(74) *Attorney, Agent, or Firm*—Suiter & Associates PC

(57) **CLAIM**

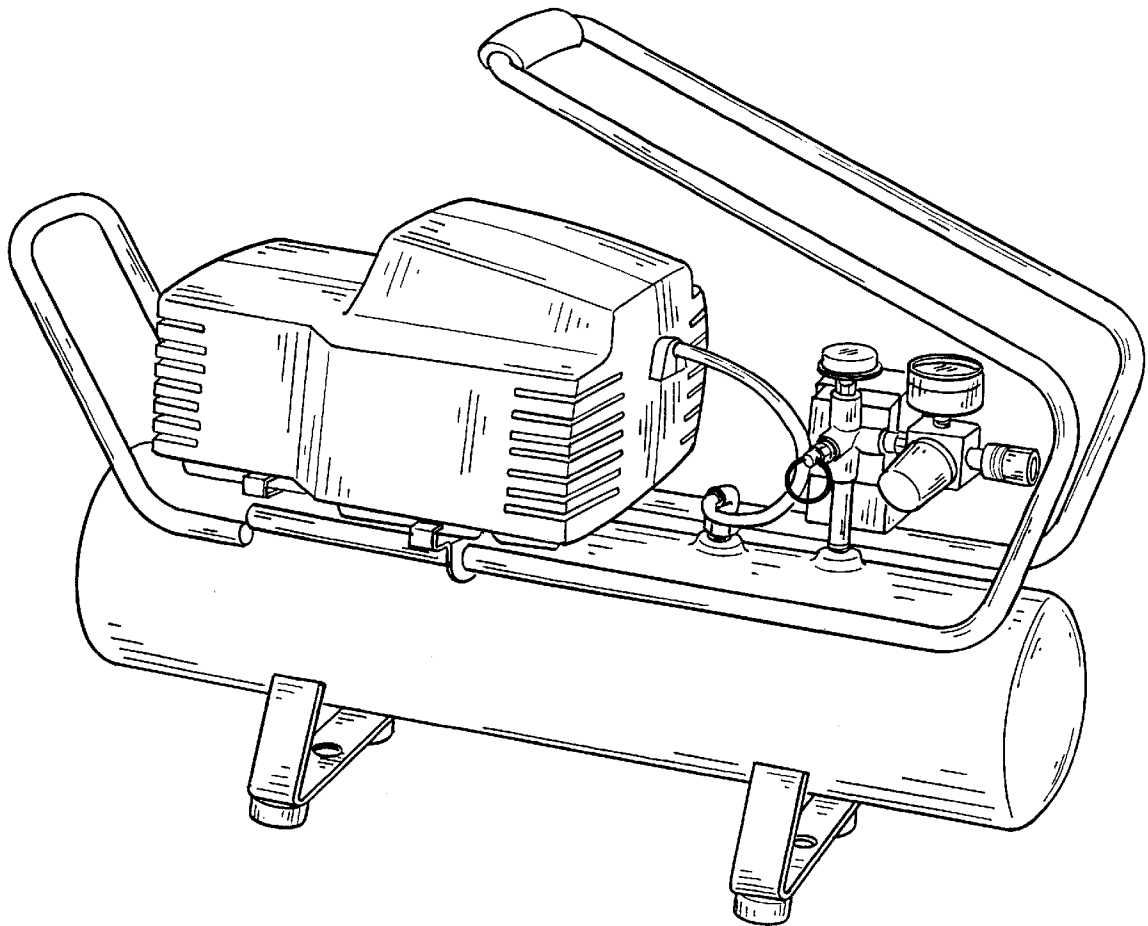
We claim the ornamental design for a single hotdog, as shown.

DESCRIPTION

FIG. 1 is an isometric view of the single hotdog design. FIG. 2 is a top plan view thereof; FIG. 3 is a left side elevation view thereof; FIG. 4 is a front elevation view thereof; FIG. 5 is a right side elevation view thereof; FIG. 6 is a rear elevation view thereof; and, FIG. 7 is a bottom plan view thereof.

1 Claim, 3 Drawing Sheets

- (56) **References Cited**
- U.S. PATENT DOCUMENTS**
- D. 223,039 * 2/1972 Widmer D15/7
- D. 293,446 * 12/1987 Morgan D15/9
- D. 293,584 * 1/1988 Morgan D15/9
- D. 293,585 * 1/1988 Morgan D15/9



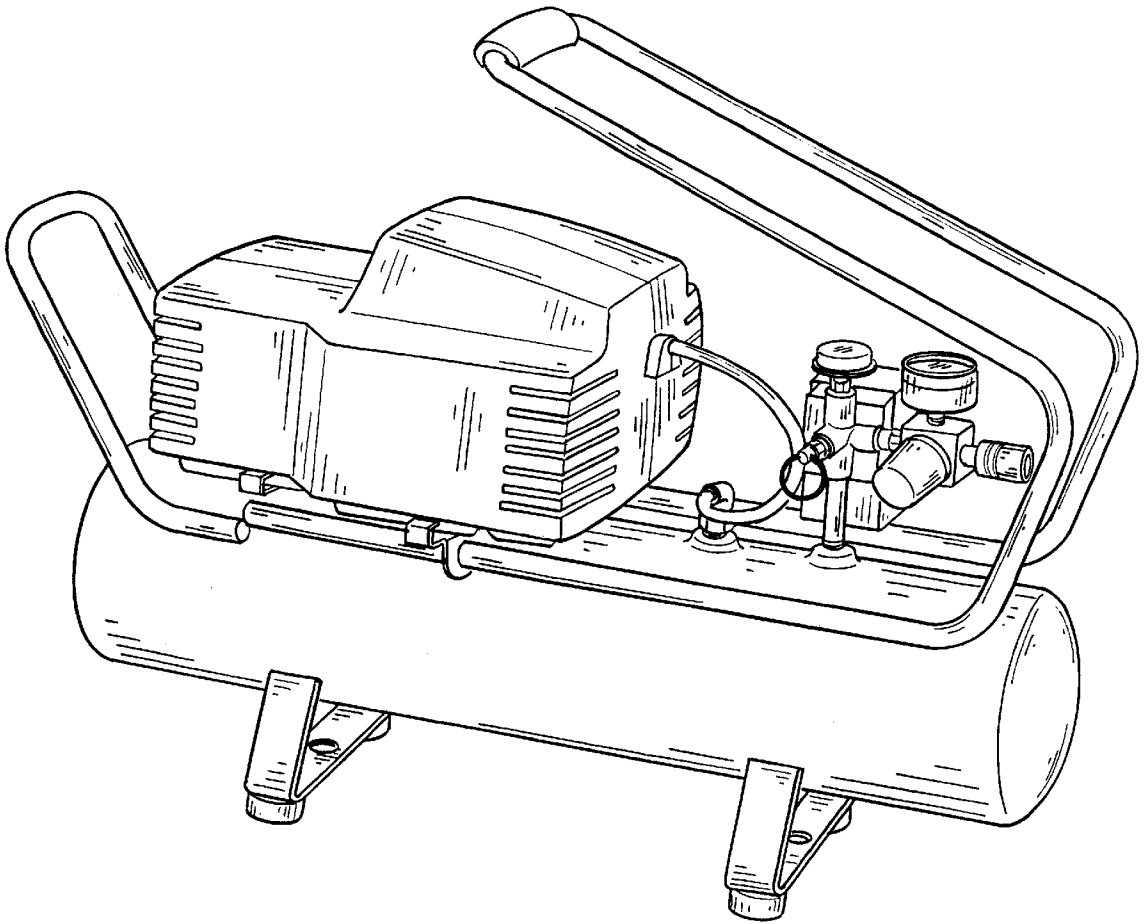


FIG. 1

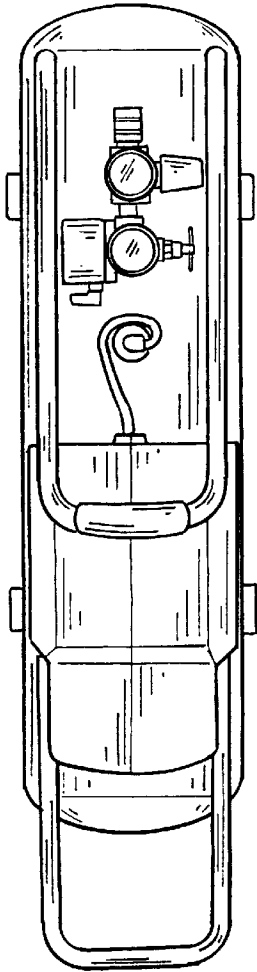


FIG. 2

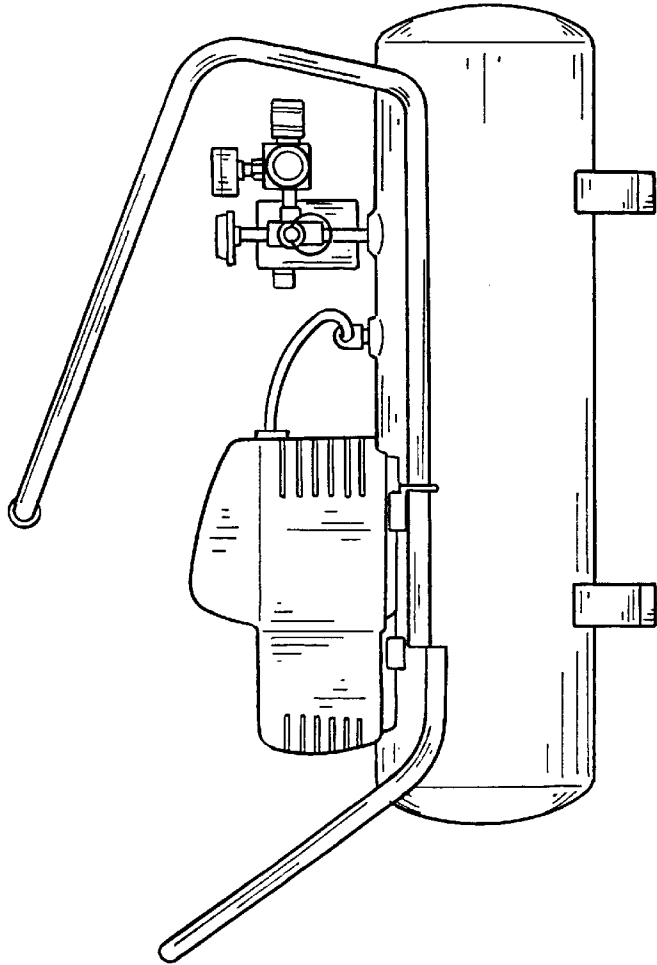


FIG. 3

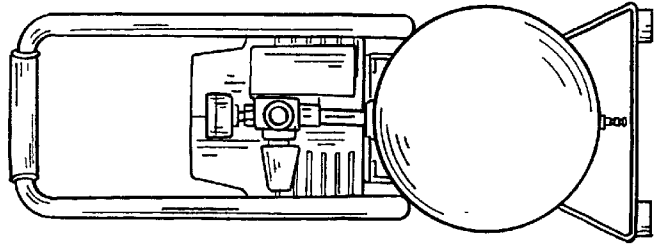


FIG. 4

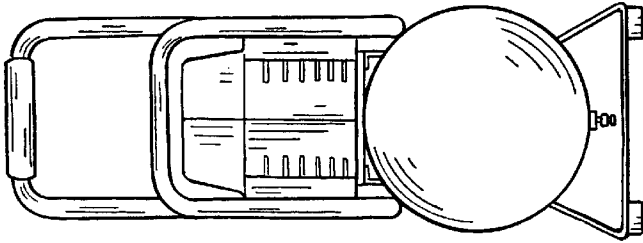


FIG. 6

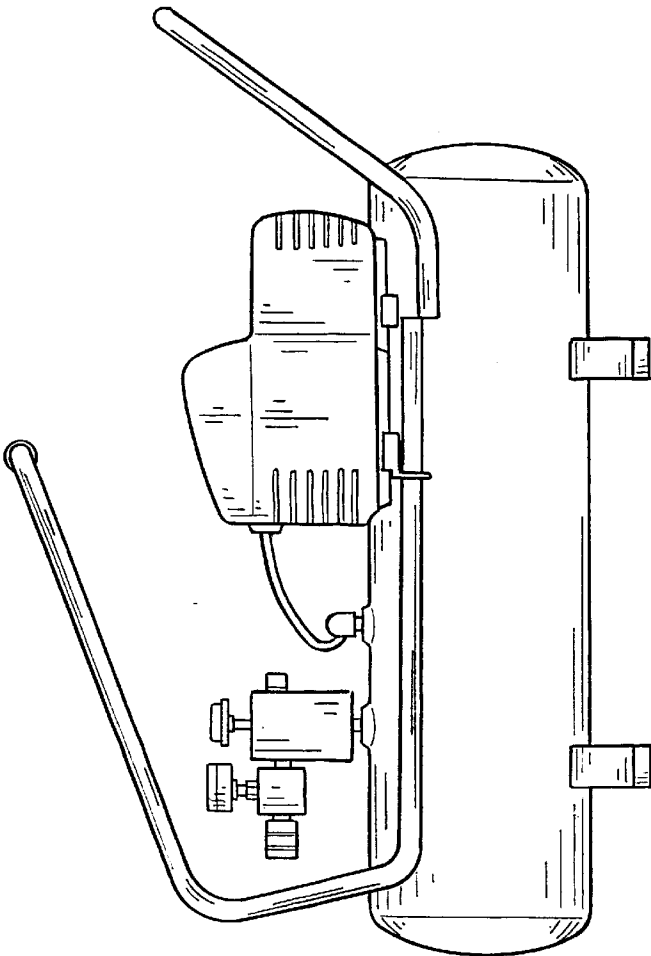


FIG. 5

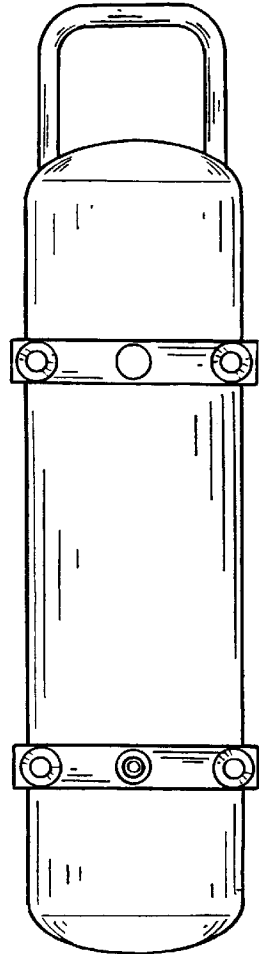


FIG. 7