



US00D765882S

(12) **United States Design Patent**
Deleu

(10) **Patent No.:** **US D765,882 S**

(45) **Date of Patent:** **** Sep. 6, 2016**

- (54) **FRAME ELEMENT**
- (71) Applicant: **ALUVISION, N.V., Deinze (BE)**
- (72) Inventor: **Dirk Deleu, Deinze (BE)**
- (73) Assignee: **Aluvision, N.V., Deinze (BE)**
- (**) Term: **15 Years**
- (21) Appl. No.: **29/526,724**
- (22) Filed: **May 13, 2015**

D392,393 S *	3/1998	Hersh	D25/122
5,727,356 A *	3/1998	Ensinger	E06B 3/26303 49/DIG. 1
D479,612 S *	9/2003	Larsen	D25/121
D501,937 S *	2/2005	Mitrevis	D25/124
D518,900 S *	4/2006	Barnett	D25/119
D537,537 S *	2/2007	Antonic	D25/122
D541,953 S *	5/2007	Deleu	D25/122
D572,375 S *	7/2008	Morton	D25/121
D598,574 S *	8/2009	Bergmann	D25/122
D621,962 S *	8/2010	Deleu	D25/122
D655,427 S *	3/2012	Sutton	D25/121
D745,706 S *	12/2015	Gosling	D25/119
D754,366 S *	4/2016	Morton	D25/124
2002/0011039 A1 *	1/2002	Edger	E06B 1/36 52/204.593

(30) **Foreign Application Priority Data**

Feb. 25, 2015 (WO) 875292801

(51) **LOC (10) Cl.** **25-01**

(52) **U.S. Cl.**
USPC **D25/122**

(58) **Field of Classification Search**

USPC D25/38.1, 39, 40, 41.1, 43, 44, 55,
D25/119-124, 126, 136, 164; D8/395, 396;
D20/42, 43, 44; D34/35

CPC E06B 1/36; E06B 1/702; E06B 1/366;
E06B 1/524; E06B 1/68; E06B 1/006;
E06B 1/04; E06B 1/26; E06B 1/28; E06B
2001/628; E06B 3/66; E06B 2003/2615

See application file for complete search history.

(56) **References Cited**

U.S. PATENT DOCUMENTS

D208,297 S *	8/1967	Woodard	D25/121
D251,451 S *	3/1979	Toder	D25/121
D282,783 S *	2/1986	Rezewski	D25/124
D300,063 S *	2/1989	Sheltra	D25/120
D312,315 S *	11/1990	Westphal	D25/122
D351,240 S *	10/1994	Cole	D25/122
D351,667 S *	10/1994	Bancroft	D25/124
D365,888 S *	1/1996	Ishmael	D25/124

* cited by examiner

Primary Examiner — Cynthia Ramirez

Assistant Examiner — Llorellys Martinez-Rivera

(74) *Attorney, Agent, or Firm* — Kirschstein, Israel, Schiffmiller & Pieroni, P.C.

(57) **CLAIM**

The ornamental design for a frame element, as shown and described.

DESCRIPTION

FIG. 1 is a top perspective view of a frame element, showing my new design.

FIG. 2 is a top plan view thereof.

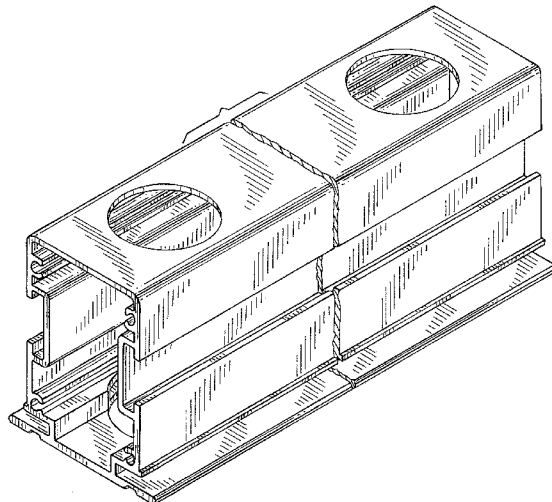
FIG. 3 is a right side elevation view thereof, the left side elevation view being a mirror image thereof.

FIG. 4 is a front end elevation view thereof, the rear end elevation view being a mirror image thereof; and,

FIG. 5 is a bottom plan view thereof.

The frame element is shown with a symbolic break in its length. The appearance of any portion of the frame element between the break lines forms no part of the claimed design.

1 Claim, 3 Drawing Sheets



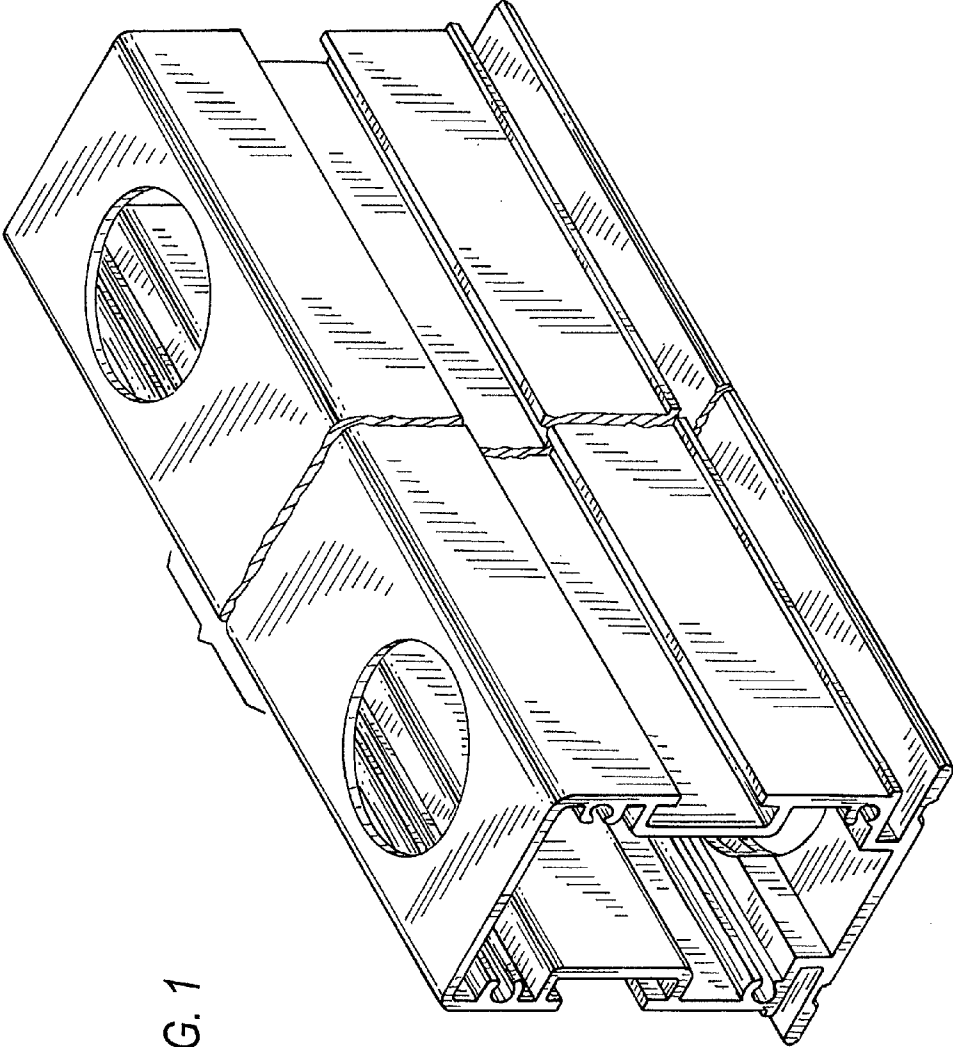
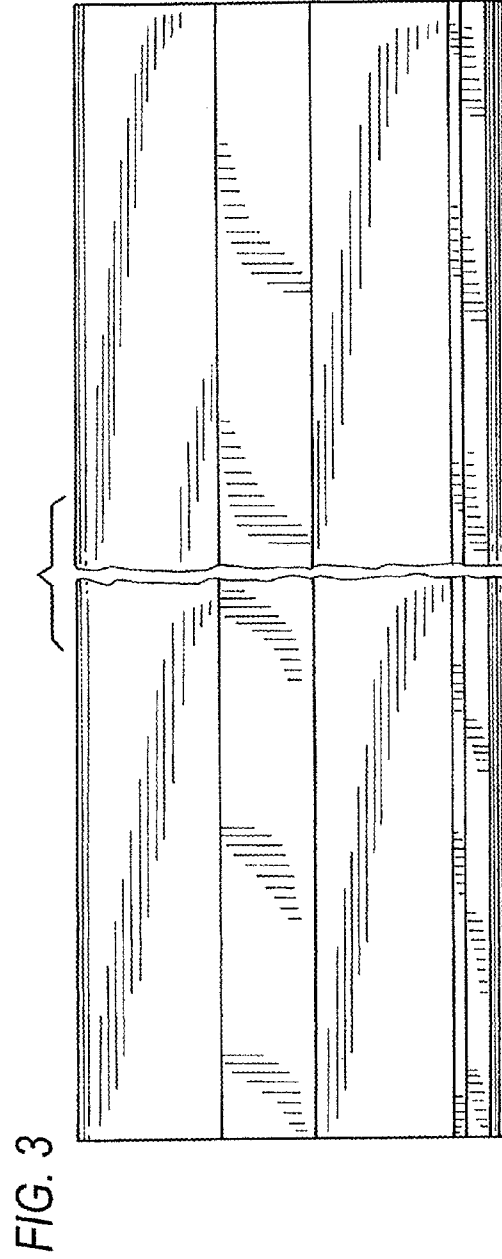
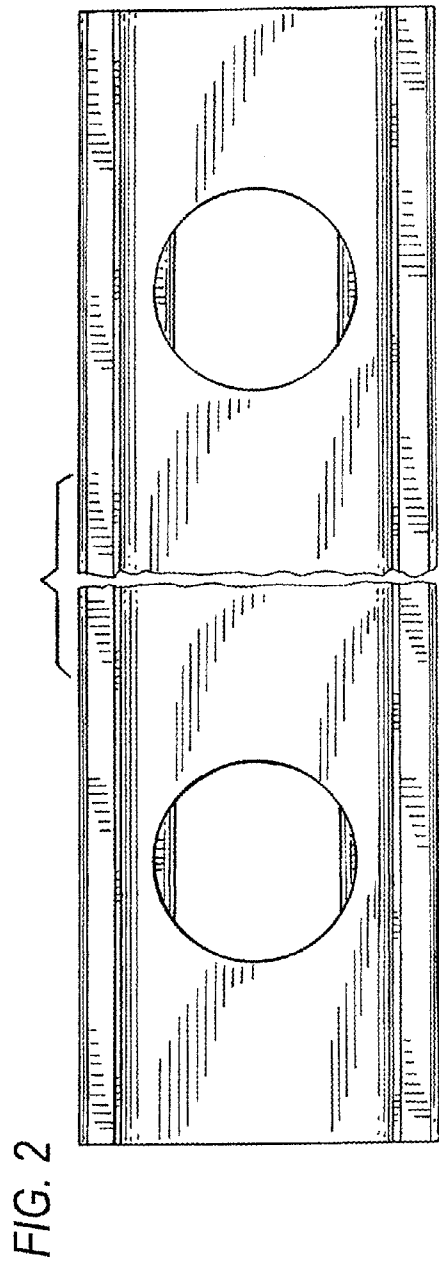


FIG. 1



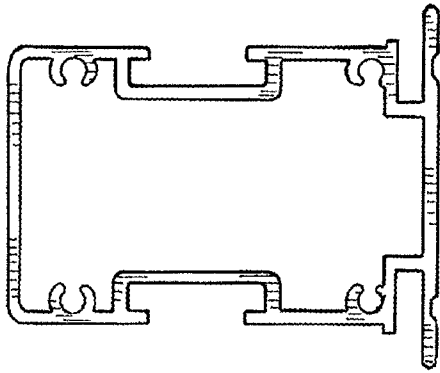


FIG. 4

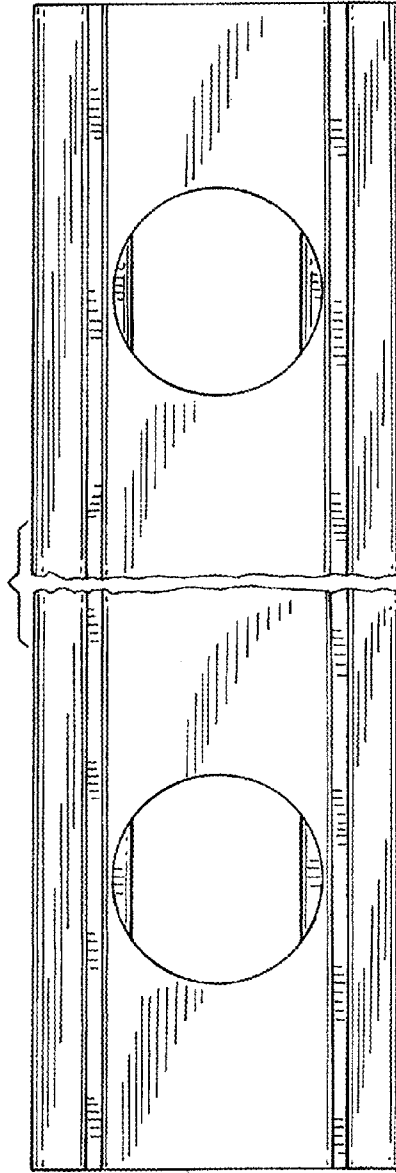


FIG. 5