

[54] CAMERA

[75] Inventor: Takaharu Kato, Tokyo, Japan

[73] Assignee: Ricoh Company, Ltd., Japan

[\*\*] Term: 14 Years

[21] Appl. No.: 239,494

[22] Filed: Mar. 2, 1981

[30] Foreign Application Priority Data  
 Sep. 1, 1980 [JP] Japan ..... 55-036039

[51] Int. Cl. .... D16-01

[52] U.S. Cl. .... D16/8

[58] Field of Search ..... D16/1, 6, 8;  
 354/152-156, 170-173, 202, 288

[56] References Cited  
 U.S. PATENT DOCUMENTS  
 D. 263,310 3/1982 Kato ..... D16/8

3,451,322 6/1969 Noda ..... 354/288 X  
 3,820,148 6/1974 Osanai ..... 354/170 X  
 4,221,476 9/1980 Aizawa ..... 354/173 X  
 4,294,530 10/1981 Iwashita ..... 354/173

Primary Examiner—Nelson C. Holtje  
 Attorney, Agent, or Firm—Guy W. Shoup; Robert  
 Scobey

[57] CLAIM

The ornamental design for a camera, as shown and described.

DESCRIPTION

FIG. 1 is a front, top and left side perspective view of a camera showing my new design;  
 FIG. 2 is a front elevational view thereof;  
 FIG. 3 is a rear elevational view thereof;  
 FIG. 4 is a left side elevational view thereof;  
 FIG. 5 is a right side elevational view thereof;  
 FIG. 6 is a top plan view thereof;  
 FIG. 7 is a bottom plan view thereof;

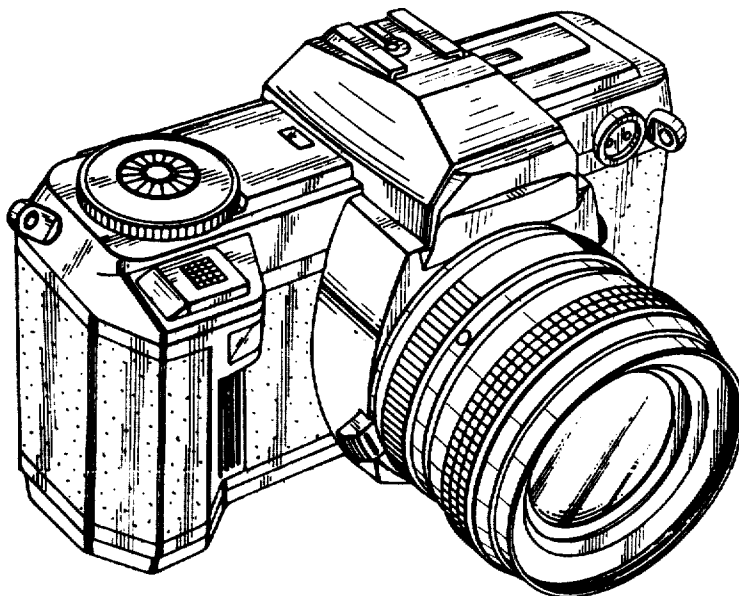


FIG. 1

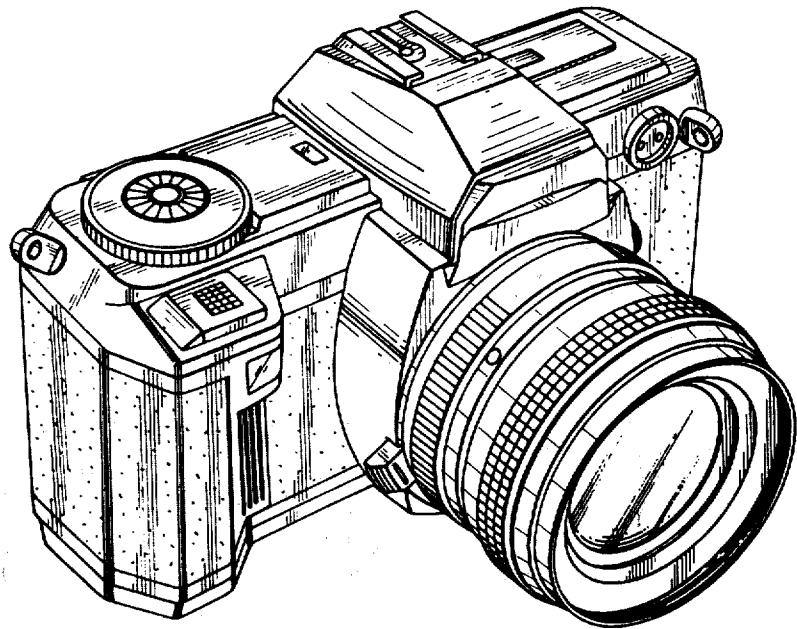


FIG. 2

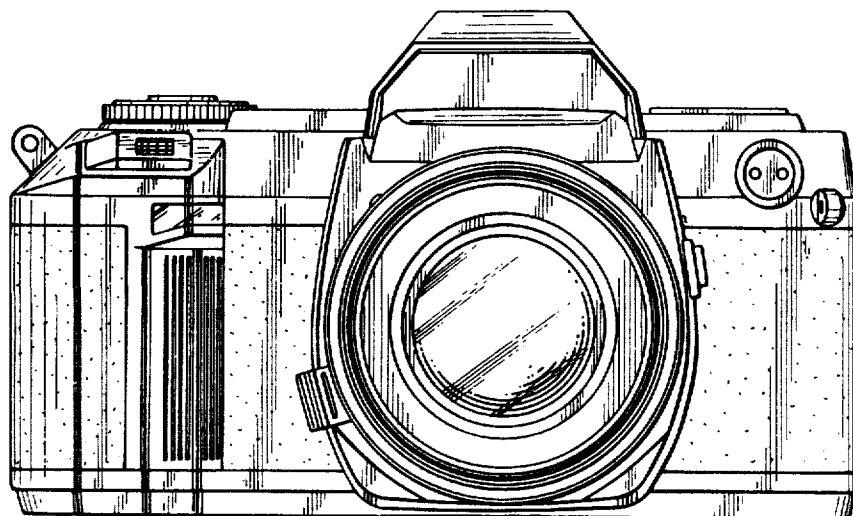


FIG. 3

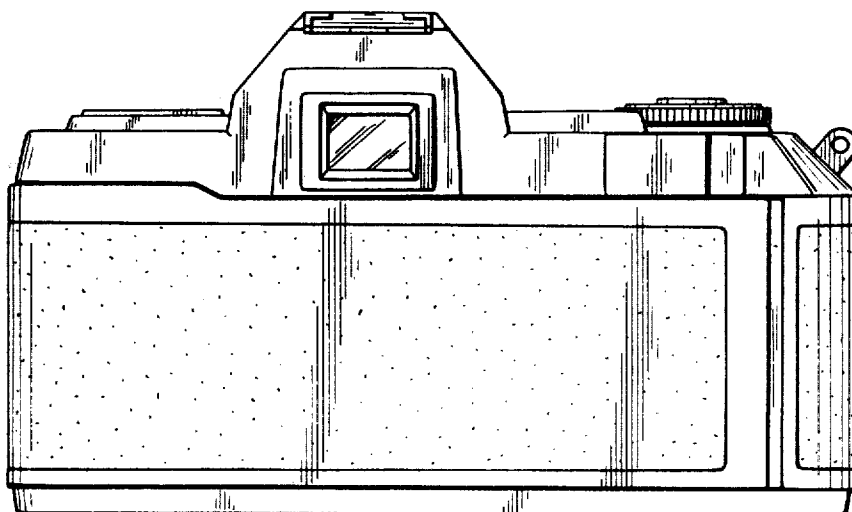


FIG. 4

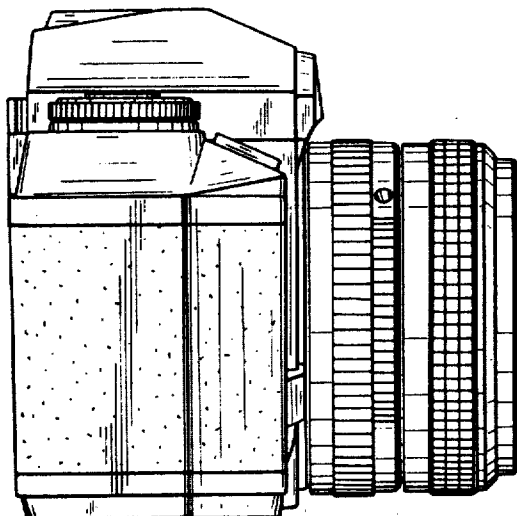


FIG. 5

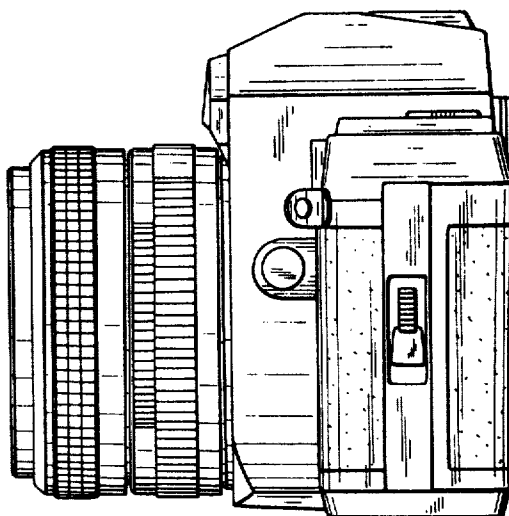


FIG. 6

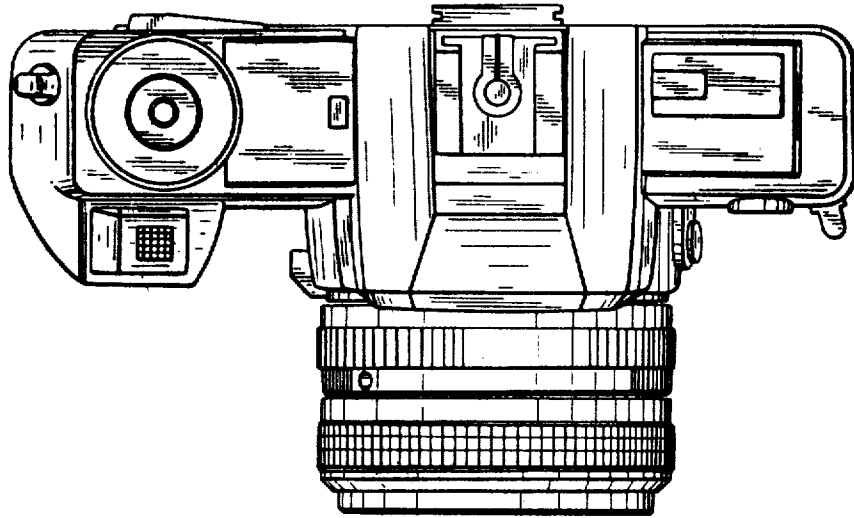


FIG. 7

