



US00D965173S

(12) **United States Design Patent**
Yang

(10) **Patent No.:** **US D965,173 S**

(45) **Date of Patent:** **** Sep. 27, 2022**

(54) **STERILIZER**
(71) Applicant: **SHENZHEN ANTOP TECHNOLOGY CO., LTD**, Shenzhen (CN)
(72) Inventor: **Ruidian Yang**, Shenzhen (CN)
(73) Assignee: **SHENZHEN ANTOP TECHNOLOGY CO., LTD**, Shenzhen (CN)

D514,678 S * 2/2006 Julos D23/364
7,914,596 B2 * 3/2011 Miyazaki A61L 9/16
55/471
D657,857 S * 4/2012 Choi D23/364
D796,020 S * 8/2017 Lee D23/364
D810,259 S * 2/2018 You D23/364
D877,928 S * 3/2020 Nathan D24/217
D885,543 S * 5/2020 Wang D23/364
D896,398 S * 9/2020 Liu D24/217
D943,725 S * 2/2022 Shalvi D23/364
2005/0175512 A1 * 8/2005 Yuen A61L 9/16
422/121

(**) Term: **15 Years**

* cited by examiner

(21) Appl. No.: **29/763,392**

Primary Examiner — Anhdao Doan

(22) Filed: **Dec. 22, 2020**

(74) Attorney, Agent, or Firm — Avek IP, LLC; Kent R Erickson

(30) **Foreign Application Priority Data**

Nov. 13, 2020 (CN) 202030687916.5

(51) **LOC (13) Cl.** **24-01**

(52) **U.S. Cl.**
USPC **D24/217; D23/364**

(58) **Field of Classification Search**
USPC D24/107, 209, 210, 216, 217, 218, 231, D24/232, 234; D32/1, 25; D23/355, D23/364, 365
CPC A61L 2/10; A61L 2/24; A61L 2202/16; A61L 2202/25; A61L 2202/14; A61L 9/02; A61L 9/03; A61L 9/12; A61L 9/16; F24F 8/10

See application file for complete search history.

(56) **References Cited**

U.S. PATENT DOCUMENTS

4,877,990 A * 10/1989 Fiorenzano, Jr. A61L 9/16
392/485
D503,787 S * 4/2005 Koike D23/364

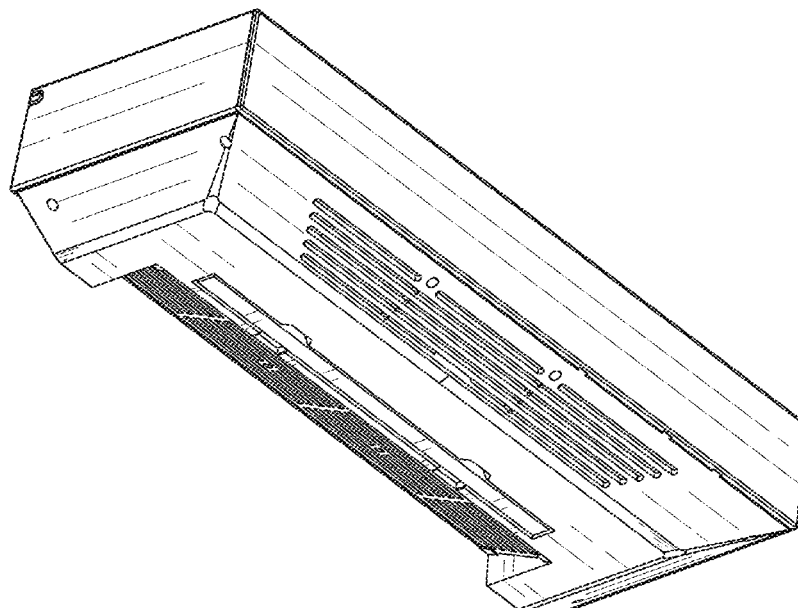
(57) **CLAIM**

The ornamental design for a sterilizer, as shown and described.

DESCRIPTION

FIG. 1 is a front-bottom perspective view of a sterilizer of the present disclosure;
FIG. 2 is a rear-top perspective view thereof;
FIG. 3 is a front elevational view thereof;
FIG. 4 is a rear elevational view thereof;
FIG. 5 is a left-side elevational view thereof;
FIG. 6 is a right-side elevational view thereof;
FIG. 7 is a top plan view thereof; and,
FIG. 8 is a bottom plan view thereof.
The broken lines shown in the drawings are for the purpose of illustrating portions of the sterilizer and form no part of the claimed design.

1 Claim, 8 Drawing Sheets



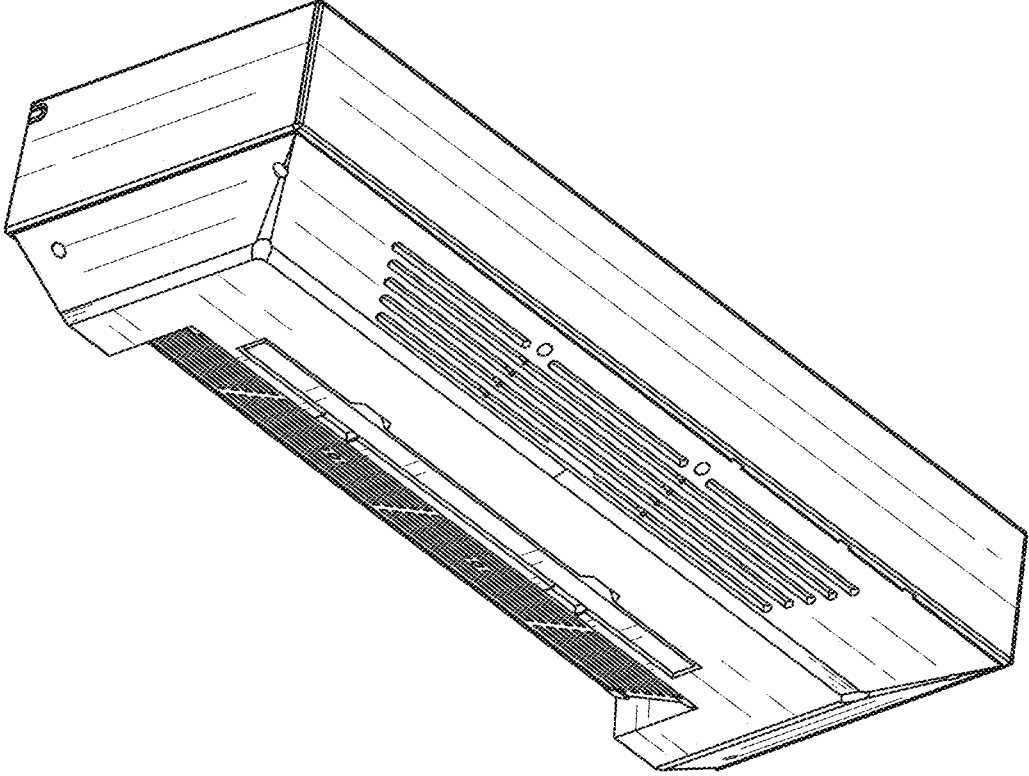


FIG. 1

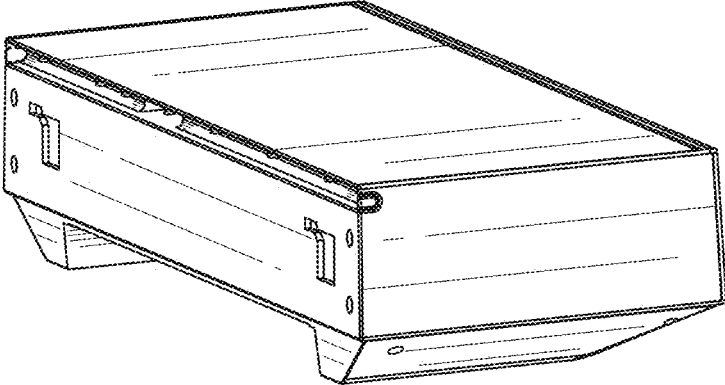


FIG. 2



FIG. 3



FIG. 4

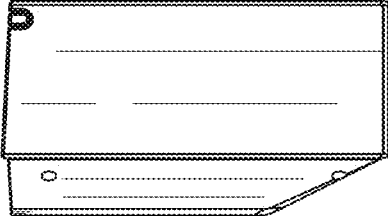


FIG. 5

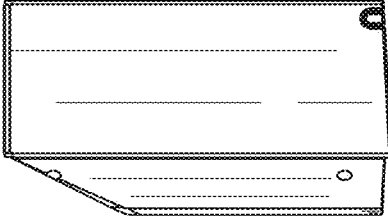


FIG. 6

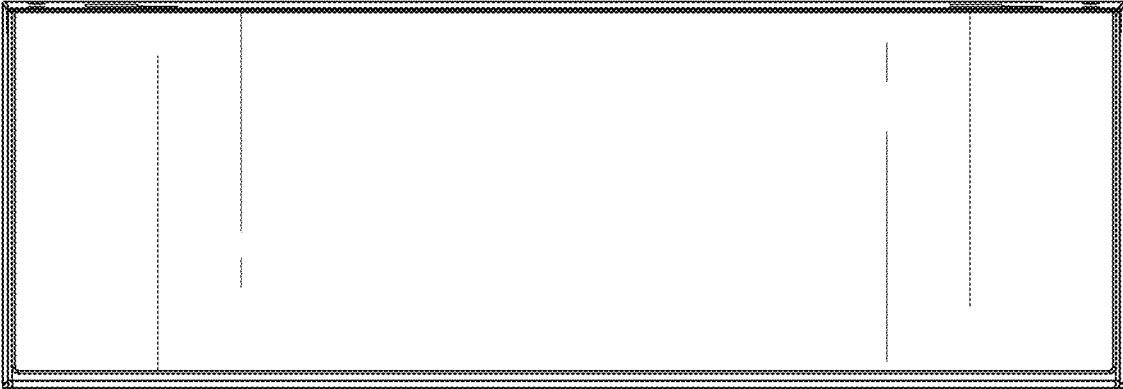


FIG. 7

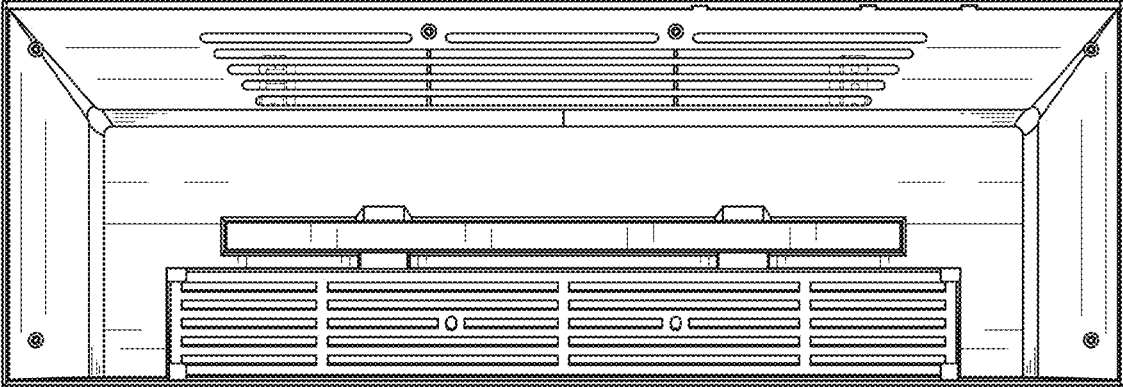


FIG. 8