



US00D883956S

(12) **United States Design Patent**
Bird et al.

(10) **Patent No.:** **US D883,956 S**

(45) **Date of Patent:** **** May 12, 2020**

(54) **PLAYBACK DEVICE**

(71) Applicant: **Sonos, Inc.**, Santa Barbara, CA (US)

(72) Inventors: **Roland Bird**, Eindhoven (NL); **Niels van Hoof**, Eindhoven (NL)

(73) Assignee: **Sonos, Inc.**, Santa Barbara, CA (US)

(**) Term: **14 Years**

(21) Appl. No.: **29/499,299**

(22) Filed: **Aug. 13, 2014**

(51) **LOC (12) Cl.** **14-01**

(52) **U.S. Cl.**
USPC **D14/221**

(58) **Field of Classification Search**

USPC D14/485–495, 204, 209.1, 211, 217, 221, D14/224, 224.1, 225, 227, 228; 181/143, 181/144, 147, 148, 150, 153, 157, 166, 181/198, 199; 361/500, 517, 535; 381/300–303, 306, 332, 333, 336, 345, 381/361–364, 370, 386–388
CPC G06F 3/048; G06F 3/0481; G06F 3/04812; G06F 3/04817; G06F 3/0482; G06F 3/0483; G06F 3/0484; G06F 3/04842; G06F 3/0485; G06F 3/04855; G06F 3/04886; H04N 5/00; H04N 5/4403; H04N 21/00; H04N 21/234; H04N 21/431; H04N 21/4312; H04N 21/4314; H04N 21/4316; H04R 9/06; H04R 1/24; H04R 11/02; H04R 2400/00

See application file for complete search history.

(56) **References Cited**

U.S. PATENT DOCUMENTS

D62,875 S * 8/1923 Benson D11/116
D220,105 S 3/1971 Small
D275,752 S 10/1984 Mahan
D286,633 S 11/1986 Pauser

D367,042 S 2/1996 Morrow et al.
D375,297 S 11/1996 Casarez et al.
D395,897 S 7/1998 Honma et al.
D416,004 S 11/1999 Tanimura et al.
D416,896 S 11/1999 Ogasawara et al.
D425,033 S 5/2000 Hibino
6,147,859 A 11/2000 Abboud
D453,329 S 2/2002 Muramatsu
D464,958 S 10/2002 Coker et al.
D491,091 S * 6/2004 Osinga D11/26
6,873,524 B2 3/2005 Kaczeus et al.
D510,343 S 10/2005 Wallace et al.
D513,617 S 1/2006 Tierney et al.
D513,750 S 1/2006 Ko et al.
D519,101 S 4/2006 Alwicker
D521,001 S 5/2006 Xiao et al.
D522,531 S 6/2006 Solomon et al.
7,057,566 B2 6/2006 Theobold

(Continued)

OTHER PUBLICATIONS

Travers, Michael. "Vector of Infinity symbol." Cutcaster. Nov. 13, 2010. Accessed Dec. 29, 2015. Available online at URL: <<http://cutcaster.com/vector/100875629-Infinity-symbol/>>.*

(Continued)

Primary Examiner — Karen E Kearney
Assistant Examiner — Christian P. McLean
(74) *Attorney, Agent, or Firm* — KPPB LLP

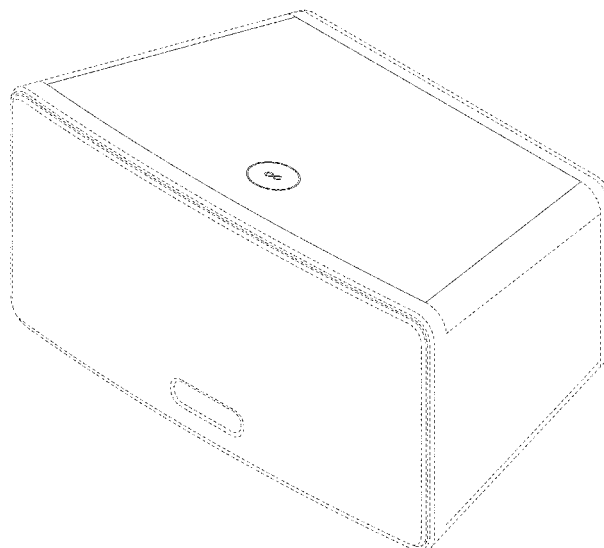
(57) **CLAIM**

The ornamental design of a playback device, as shown and described.

DESCRIPTION

FIG. 1 shows a playback device in an isometric view. FIG. 2 shows the playback device in a top view; and, FIG. 3 shows the playback device in a side view. The features shown in broken lines form no part of the claimed design.

1 Claim, 3 Drawing Sheets



(56)

References Cited

U.S. PATENT DOCUMENTS

- D526,648 S 8/2006 Andre et al.
D530,315 S 10/2006 Liu
D532,785 S 11/2006 Lo et al.
D533,177 S 12/2006 Andre
D535,281 S 1/2007 Yang
D537,817 S 3/2007 Andre
D542,288 S 5/2007 Andre
D545,836 S * 7/2007 Haldimann D14/491
D545,837 S * 7/2007 Haldimann D14/491
D545,838 S * 7/2007 Haldimann D14/491
D545,839 S * 7/2007 Haldimann D14/491
D545,840 S * 7/2007 Haldimann D14/491
D563,994 S * 3/2008 Liu D14/356
D574,360 S 8/2008 Matsuoka et al.
D582,384 S 12/2008 Christopher
D582,429 S 12/2008 Kusano et al.
D583,367 S 12/2008 Chen
D583,796 S 12/2008 Tanaka et al.
D585,733 S 2/2009 Feibelman
D588,486 S * 3/2009 Falck-Andersen D10/123
D589,045 S 3/2009 Lee et al.
D594,874 S 6/2009 Sheba et al.
D594,875 S 6/2009 Sheba et al.
D596,626 S 7/2009 Andre
D599,753 S 9/2009 Cho et al.
D601,583 S 10/2009 Andre
D608,793 S * 1/2010 Canu-Chiesa D14/492
D609,315 S 2/2010 Soulier
D609,701 S 2/2010 Hou et al.
D616,426 S 5/2010 Ju et al.
D620,953 S 8/2010 Andre
D638,426 S 5/2011 Ikeda et al.
D641,327 S * 7/2011 Falakfarsa D14/125
D641,364 S 7/2011 McParland et al.
D641,740 S 7/2011 Jeon et al.
D650,393 S * 12/2011 Doll D14/486
D651,994 S 1/2012 Lundbom et al.
D655,305 S 3/2012 Koo et al.
D657,784 S 4/2012 Akana et al.
D660,809 S 5/2012 Kern Koskela et al.
D660,839 S 5/2012 Govindasamy et al.
D662,491 S * 6/2012 Andre D13/108
8,195,313 B1 * 6/2012 Fadell F24F 11/0009
236/1 C
D664,130 S 7/2012 Lee et al.
D664,978 S * 8/2012 Tanghe D14/487
D667,426 S * 9/2012 Randall D14/489
8,299,978 B2 10/2012 Gates et al.
D676,005 S 2/2013 Wood et al.
D679,730 S * 4/2013 Tyler D14/492
8,411,434 B2 4/2013 Goh
D682,879 S * 5/2013 Eikenberry D14/489
D683,758 S * 6/2013 Phelan D14/489
D684,193 S 6/2013 Maier et al.
D685,392 S 7/2013 Chamness et al.
D686,065 S * 7/2013 Kuo D9/432
D686,201 S 7/2013 Lee et al.
D686,595 S 7/2013 Andre et al.
D687,817 S 8/2013 Petersen et al.
D688,701 S * 8/2013 Myung D14/490
D689,860 S 9/2013 Chong et al.
D693,808 S 11/2013 Kim et al.
D696,299 S 12/2013 Chamness et al.
D701,879 S * 4/2014 Foit D14/488
D704,177 S 5/2014 Chun et al.
D705,224 S 5/2014 Govindasamy et al.
D705,252 S * 5/2014 Cahill D14/488
D705,748 S * 5/2014 He D14/155
D711,345 S 8/2014 Liu
D714,816 S * 10/2014 Varon D14/486
D718,785 S * 12/2014 Bang D14/203.1
D719,153 S 12/2014 Lim et al.
D719,561 S * 12/2014 Akana D14/314
D719,928 S 12/2014 Birger
D721,061 S 1/2015 Burlingame et al.
D721,352 S 1/2015 Kusano et al.
D723,479 S 3/2015 Lee et al.
D725,146 S * 3/2015 Pereira D14/492
D727,360 S 4/2015 Peng
D727,786 S * 4/2015 Shlakman D11/26
D730,388 S * 5/2015 Rehberg D14/488
D730,399 S * 5/2015 Kadosh D14/491
D732,993 S * 6/2015 Shabot D11/1
D734,358 S * 7/2015 Rehberg D14/487
D736,605 S * 8/2015 Minarik D8/358
D738,904 S * 9/2015 Tyler D14/488
D738,907 S * 9/2015 Cabrera-Cordon D14/488
D743,954 S 11/2015 Chuang et al.
D746,795 S 1/2016 Burlingame et al.
D754,751 S * 4/2016 Kusano D14/203.3
D756,991 S 5/2016 Day et al.
D759,629 S 6/2016 Kusano et al.
D763,913 S * 8/2016 Kim D14/489
D765,140 S 8/2016 Peng et al.
D768,589 S 10/2016 Shin
D768,602 S * 10/2016 Reichert D14/204
D768,607 S 10/2016 Altonen et al.
D769,322 S * 10/2016 Rajeswaran D14/491
D769,910 S * 10/2016 Apodaca D14/485
D776,657 S 1/2017 Lagerstedt et al.
D778,280 S * 2/2017 Vanderpol D14/363
D779,552 S * 2/2017 Kim D14/489
D781,257 S 3/2017 Moon et al.
D789,990 S 6/2017 Bird et al.
D789,991 S 6/2017 Bird et al.
D794,019 S * 8/2017 Kusano D14/358
D797,740 S * 9/2017 Nguyen D14/385
D798,339 S 9/2017 Yang et al.
D798,860 S * 10/2017 Wieser D14/358
D798,861 S * 10/2017 Wieser D14/358
D799,479 S * 10/2017 Wieser D14/358
D802,565 S * 11/2017 Fariello D14/230
D806,678 S * 1/2018 Reichert D14/209.1
D808,971 S * 1/2018 Akana D14/434
D812,560 S * 3/2018 Xu D13/107
D815,062 S 4/2018 Bird et al.
D815,070 S * 4/2018 Elmieh D14/225
D816,057 S * 4/2018 Jue D14/155
D818,987 S * 5/2018 Sun D14/204
D821,374 S 6/2018 Jun et al.
D822,712 S * 7/2018 Butcher D14/489
D828,821 S * 9/2018 Farr D14/204
D831,612 S * 10/2018 Usuru D14/214
D831,646 S 10/2018 Kusano et al.
D833,416 S * 11/2018 Hu D14/204
2003/0081377 A1 5/2003 Lin
2008/0040735 A1 2/2008 Saitou et al.
2009/0228654 A1 9/2009 Lakowicz
2010/0215203 A1 * 8/2010 Sip H02J 7/025
381/386
2013/0280940 A1 * 10/2013 Pai H01R 13/62
439/345
2014/0082471 A1 * 3/2014 Katouli G06F 3/0488
715/224

OTHER PUBLICATIONS

- "Nest Leaf from Nest Learning Thermostat." YouTube.com. 0:00-0:01. Published Sep. 1, 2012. Accessed Feb. 28, 2017. Available online at URL: <<https://www.youtube.com/watch?v=1KfdpRrhQgw>>.*
"New iWatch concept with circular screen, metal strap and iHealth." iPhonehacks.com. Apr. 26, 2014. Accessed Feb. 28, 2017. Available online at URL: <<http://www.iphonehacks.com/2014/04/iwatch-concept-circular-screen-metal-strap-ihealth.html>>.*
"Logo Design, GIF." dribbble.com. Jun. 25, 2014. Accessed Oct. 10, 2017. Available online at URL: <<https://dribbble.com/shots/1614757-Logo-Design-GIF>>.*
Goode, Lauren. "Look, Ma, No Bridge! Sonos Updates Wi-Fi Speaker System." recode.net. Sep. 2, 2014. Accessed Apr. 28, 2018. Available online at URL: <<https://www.recode.net/2014/9/2/11630434/look-ma-no-bridge-sonos-updates-wifi-speaker-system>>.*

(56)

References Cited

OTHER PUBLICATIONS

Japanese Patent Office, "Office Action," issued in connection with Application No. 2015-002927, dated Jun. 2, 2015, 3 pages.

"Apple TV 4! Will You Get One?", Dtathemes, Sep. 8, 2015, retrieved from <http://www.dtathemes.com/apple-tv-4-will-you-get-one/> on Mar. 2, 2016, 3 pages.

"Apple TV 4th Generation—Initial Thoughts", UofMTiger Tech, Oct. 31, 2015, Retrieved from <http://www.uofmtiger.com/blog/apple-tv-4th-generation-initial-thoughts> on Mar. 2, 2016, 15 pages.

Brown, Ken, "Western Digital WD TV Play Media Player Review", Legit Reviews, Feb. 20, 2013, Retrieved from http://www.legitreviews.com/western-digital-wd-tv-play-media-player-review_2140 on Mar. 2, 2016, 5 pages.

Coles, Olin, "WD TV Live Digital MultiMedia Player", BenchmarkReviews, Jul. 9, 2012, Retrieved from http://archive.benchmarkreviews.com/index.php?option=com_content&task=view&id=950&Itemid=66&limitstart=1 on Mar. 2, 2016, 18 pages.

Sze, Kelvin, "Netgear NeoTV NTV300, NeoTV Pro NTV300S and NeoTV MAX NTV300SL Streaming Players", ITech News Net, Sep. 20, 2012, Retrieved from <http://www.itechnews.net/2012/09/20/netgear-neotv-ntv300-neotv-pro-ntv300s-and-neotv-max-ntv300sl-streaming-players/> on Mar. 2, 2016, 4 pages.

* cited by examiner

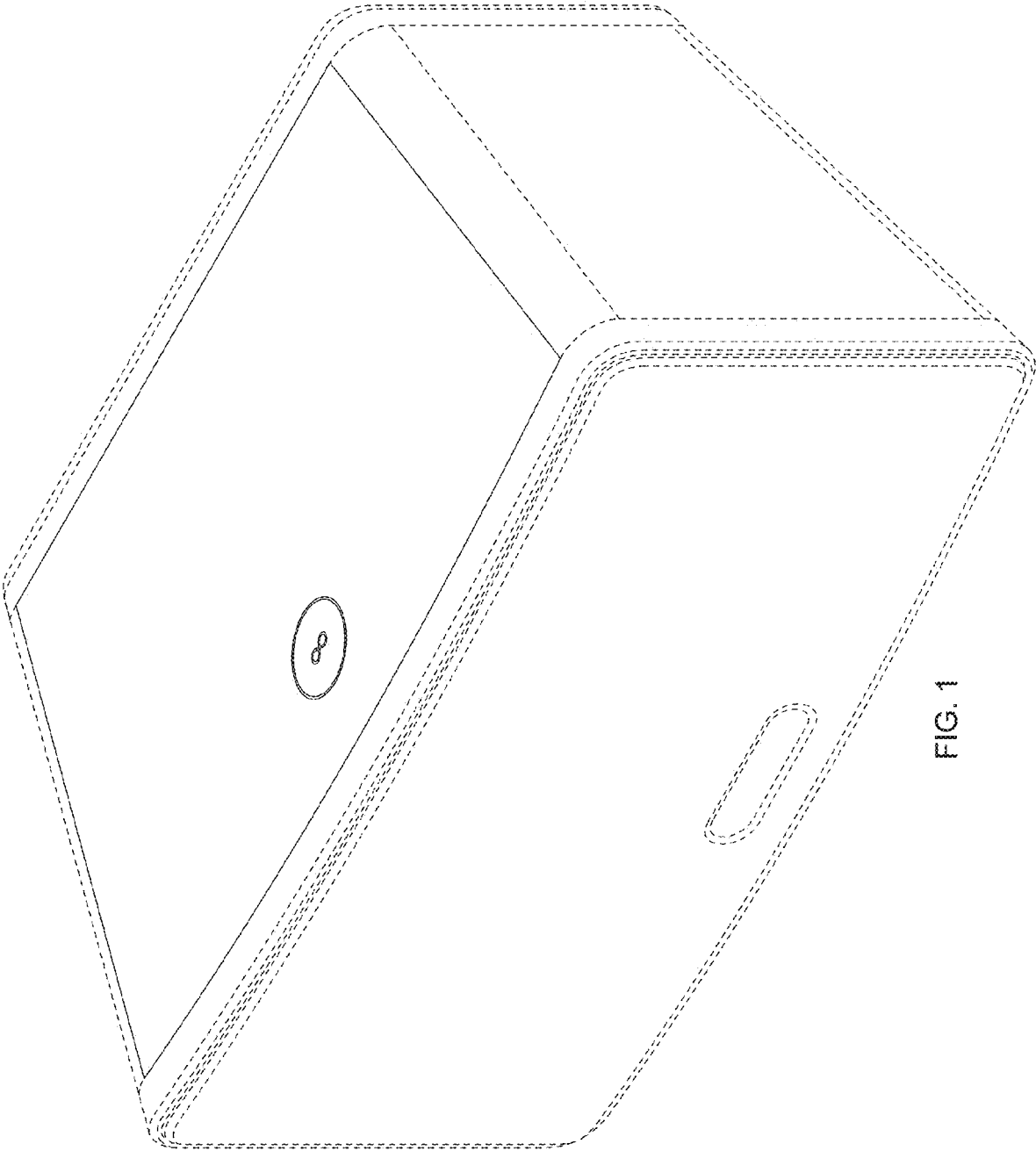
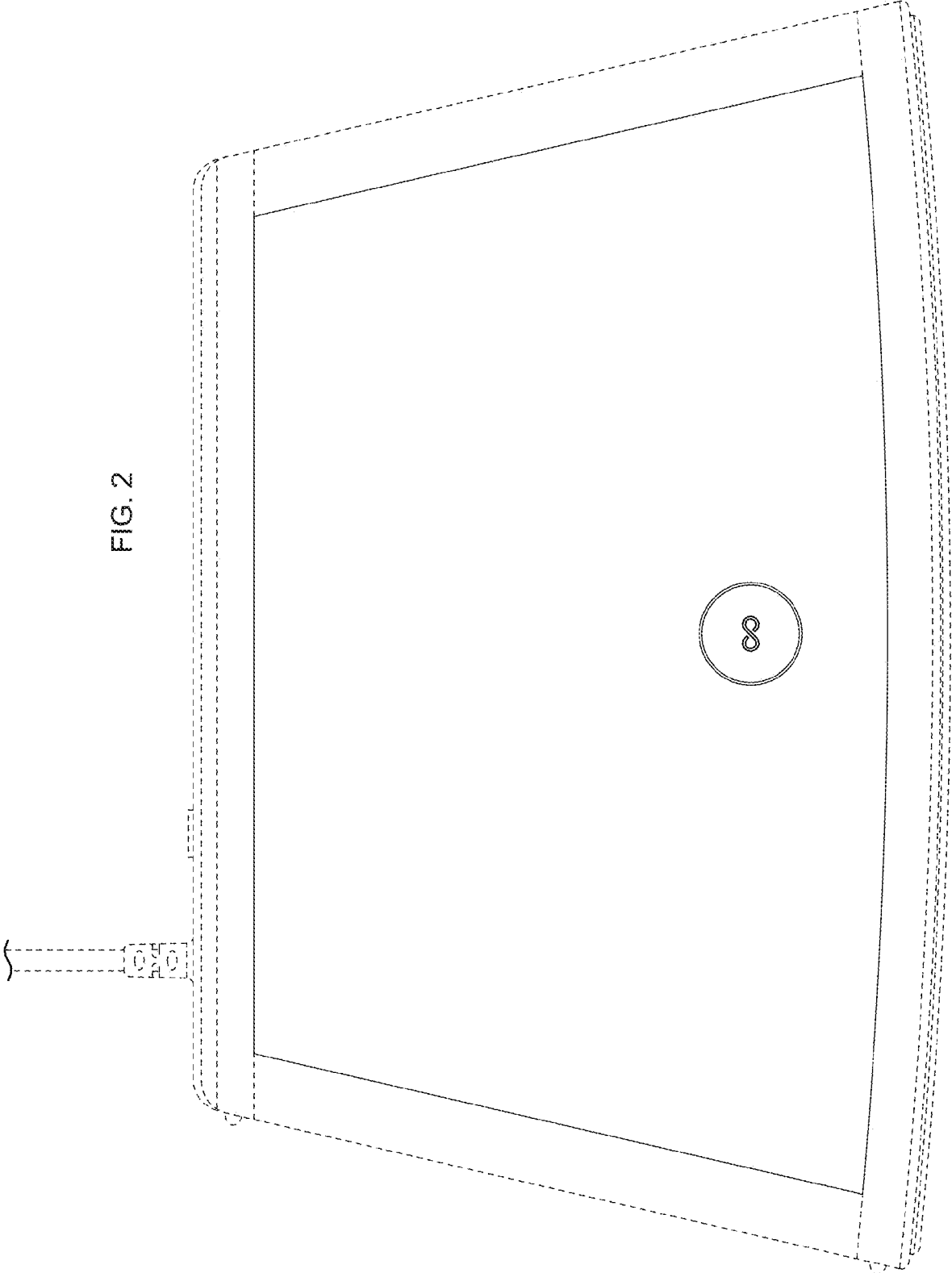


FIG. 1

FIG. 2



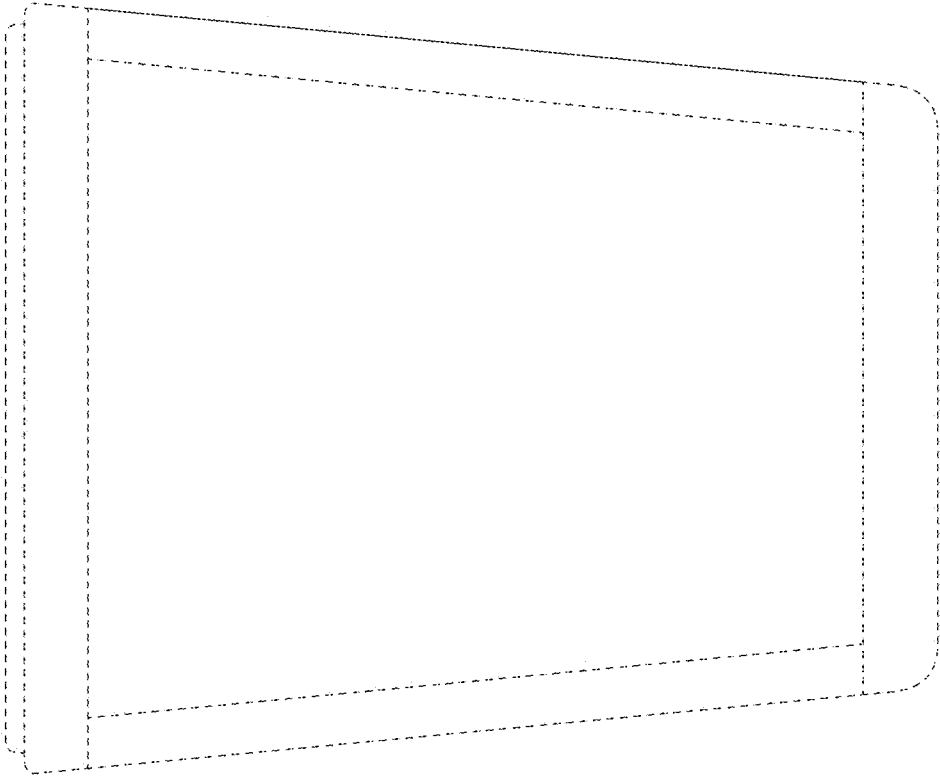


FIG. 3