

(19) World Intellectual Property Organization  
International Bureau



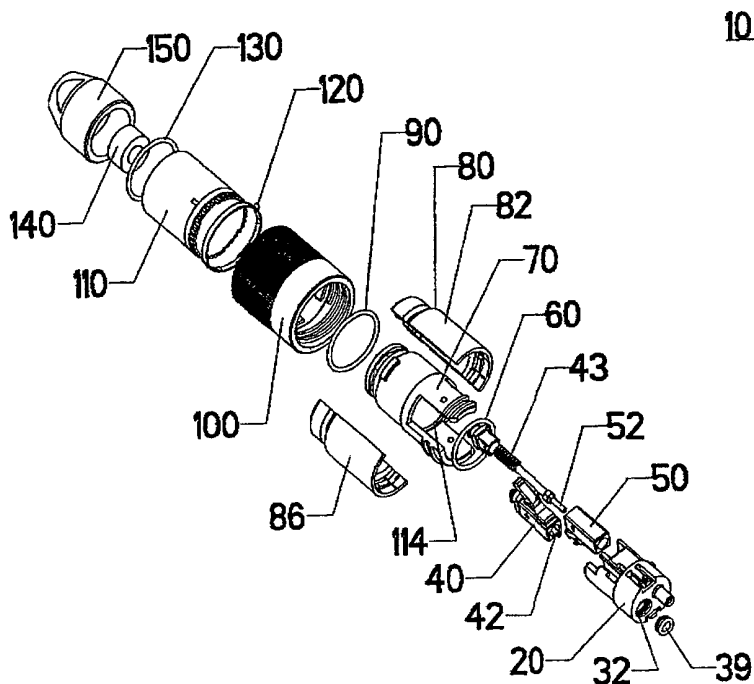
(43) International Publication Date  
19 April 2001 (19.04.2001)

PCT

(10) International Publication Number  
**WO 01/27660 A3**

- (51) International Patent Classification<sup>7</sup>: **G02B 6/38** **Philip**; Bell Cottage Mill Road, Ridgewell, Halstead, Essex CO9 4SG (GB). **HAGGER, Alan, J.**; Mill Cottage, Mill Lane, Cowlinge, Newmarket, Suffolk CB8 9H2 (GB).
- (21) International Application Number: PCT/US00/24759
- (22) International Filing Date: 11 September 2000 (11.09.2000) (74) Agent: **BARRETT, Robert, M.**; Bell, Boyd & Lloyd LLC, P.O. Box 1135, Chicago, IL 60690-1135 (US).
- (25) Filing Language: English (81) Designated States (*national*): AU, CA, IL, JP, KR.
- (26) Publication Language: English (84) Designated States (*regional*): European patent (AT, BE, CH, CY, DE, DK, ES, FI, FR, GB, GR, IE, IT, LU, MC, NL, PT, SE).
- (30) Priority Data: 09/395,074 13 September 1999 (13.09.1999) US **Published:**  
— with international search report
- (71) Applicant: **METHODE ELECTRONICS, INC.** [US/US]; 7444 West Wilson Avenue, Harwood Heights, IL 60706 (US). (88) Date of publication of the international search report: 8 November 2001
- (72) Inventors: **WALDRON, Mark, R.**; 105 Squire Lane N.E., Poplar Grove, IL 61065 (US). **CROCKER, Martin, A.**; 70 Atterton Road, Haverhill, Suffolk CB9 7SR (GB). **FICK,** *For two-letter codes and other abbreviations, refer to the "Guidance Notes on Codes and Abbreviations" appearing at the beginning of each regular issue of the PCT Gazette.*

(54) Title: FIELD REPAIRABLE HERMAPHRODITIC CONNECTOR



10

(57) Abstract: A hermaphroditic fiber optic termination device (10) including a plug insert (20) removably insertable into a front of a housing (70). The plug insert (20) formed so as to receive ferrules (42) surrounding terminal ends of the optical fibers.



WO 01/27660 A3

**INTERNATIONAL SEARCH REPORT**

International application No.  
PCT/US00/24759

**A. CLASSIFICATION OF SUBJECT MATTER**

IPC(7) :G02B 6/38  
US CL :385/55, 56, 59, 60, 66, 70

According to International Patent Classification (IPC) or to both national classification and IPC

**B. FIELDS SEARCHED**

Minimum documentation searched (classification system followed by classification symbols)

U.S. : 385/55, 56, 59, 60, 66, 70

Documentation searched other than minimum documentation to the extent that such documents are included in the fields searched  
NONE

Electronic data base consulted during the international search (name of data base and, where practicable, search terms used)  
USPTO APS EAST

**C. DOCUMENTS CONSIDERED TO BE RELEVANT**

Category*	Citation of document, with indication, where appropriate, of the relevant passages	Relevant to claim No.
Y	US 5,297,227 A (BROWN et al) 22 March 1994 (22.03.1994), whole document.	1-24
Y	US 4,174,882 A (MCCARTNEY) 20 November 1979 (20.11.1979), whole document.	1-24

Further documents are listed in the continuation of Box C.  See patent family annex.

* Special categories of cited documents:	"T"	later document published after the international filing date or priority date and not in conflict with the application but cited to understand the principle or theory underlying the invention
"A" document defining the general state of the art which is not considered to be of particular relevance	"X"	document of particular relevance; the claimed invention cannot be considered novel or cannot be considered to involve an inventive step when the document is taken alone
"E" earlier document published on or after the international filing date	"Y"	document of particular relevance; the claimed invention cannot be considered to involve an inventive step when the document is combined with one or more other such documents, such combination being obvious to a person skilled in the art
"L" document which may throw doubts on priority claim(s) or which is cited to establish the publication date of another citation or other special reason (as specified)	"&"	document member of the same patent family
"O" document referring to an oral disclosure, use, exhibition or other means		
"P" document published prior to the international filing date but later than the priority date claimed		

Date of the actual completion of the international search 28 MARCH 2001	Date of mailing of the international search report <b>16 APR 2001</b>
Name and mailing address of the ISA/US Commissioner of Patents and Trademarks Box PCT Washington, D.C. 20231 Facsimile No. (703) 305-3230	Authorized officer  MOHAMMAD SIKDER Telephone No. (703) 308-0530