



US00D504116S

(12) **United States Design Patent**  
**Ishida**

(10) **Patent No.:** **US D504,116 S**

(45) **Date of Patent:** **\*\* Apr. 19, 2005**

(54) **LIGHT EMITTING DIODE**

(75) **Inventor:** **Masashi Ishida, Naka-gun (JP)**

(73) **Assignee:** **Nichia Corporation, Anan (JP)**

(\*\*) **Term:** **14 Years**

(21) **Appl. No.:** **29/183,009**

(22) **Filed:** **Jun. 5, 2003**

(30) **Foreign Application Priority Data**

Apr. 7, 2003 (JP) ..... 2003-009701  
Apr. 7, 2003 (JP) ..... 2003-009702

(51) **LOC (7) Cl.** ..... **13-03**

(52) **U.S. Cl.** ..... **D13/180**

(58) **Field of Search** ..... D13/180, 182;  
257/76, 79, 88, 89, 93-99, 434, 676, 678,  
687, 690, 698, 787; 313/498, 499, 500;  
361/760, 820; 362/226, 241, 249, 250,  
307, 55, 800

(56) **References Cited**

**U.S. PATENT DOCUMENTS**

D482,337 S	*	11/2003	Kamada	.....	D13/182
D489,677 S	*	5/2004	Ishida	.....	D13/100
D489,690 S	*	5/2004	Ishida	.....	D13/180
D489,691 S	*	5/2004	Ishida	.....	D13/180
D489,692 S	*	5/2004	Ishida	.....	D13/180
D489,693 S	*	5/2004	Ishida	.....	D13/180
D490,062 S	*	5/2004	Ishida	.....	D13/180
D490,384 S	*	5/2004	Ishida	.....	D13/180
D490,385 S	*	5/2004	Ishida	.....	D13/180
D490,386 S	*	5/2004	Ishida	.....	D13/180
D490,783 S	*	6/2004	Ishida	.....	D13/180
D490,784 S	*	6/2004	Ishida	.....	D13/180
D491,538 S	*	6/2004	Ishida	.....	D13/182
2002/0149314 A1	*	10/2002	Takahashi et al.	.....	313/500

**FOREIGN PATENT DOCUMENTS**

JP	D984224-1 S	10/1997
JP	D1077515 S	7/2000
JP	D1170087 S	4/2003
JP	D1170881 S	4/2003
JP	D1171193 S	4/2003
JP	D1171195 S	4/2003
JP	D1171196 S	4/2003
JP	D1171707 S	4/2003
JP	D1171709 S	4/2003
JP	D1171710 S	4/2003
KR	30-0294490 S	3/2002
KR	30-0294490-1 S	3/2002

\* cited by examiner

*Primary Examiner*—Stella Reid

*Assistant Examiner*—Selina Sikder

(74) *Attorney, Agent, or Firm*—Smith Patent Office

(57) **CLAIM**

I claim the ornamental design for the light emitting diode, as shown and described.

**DESCRIPTION**

FIG. 1 is a perspective view of a light emitting diode showing my new design;

FIG. 2 is a top plan view of the light emitting diode according to the embodiment of FIG. 1;

FIG. 3 is a left view of the light emitting diode according to the embodiment of FIG. 1;

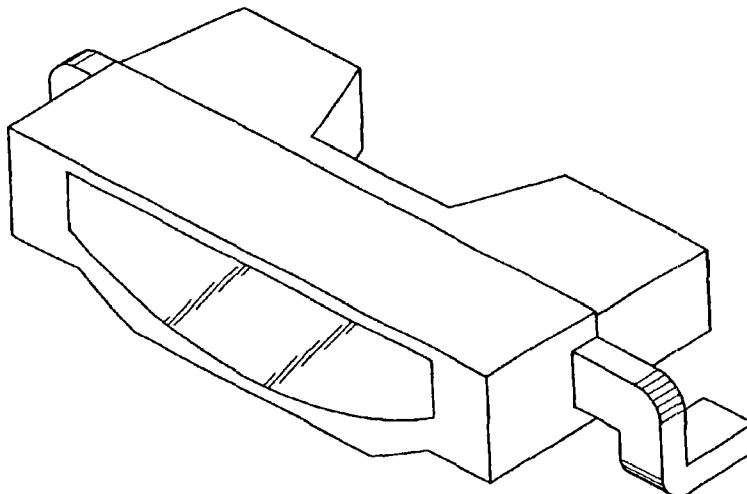
FIG. 4 is a front elevational view of the light emitting diode according to the embodiment of FIG. 1;

FIG. 5 is a right view of the light emitting diode according to the embodiment of FIG. 1;

FIG. 6 is a bottom plan of the light emitting diode according to the embodiment of FIG. 1; and,

FIG. 7 is a rear elevational view of the light emitting diode according to the embodiment of FIG. 1.

**1 Claim, 2 Drawing Sheets**



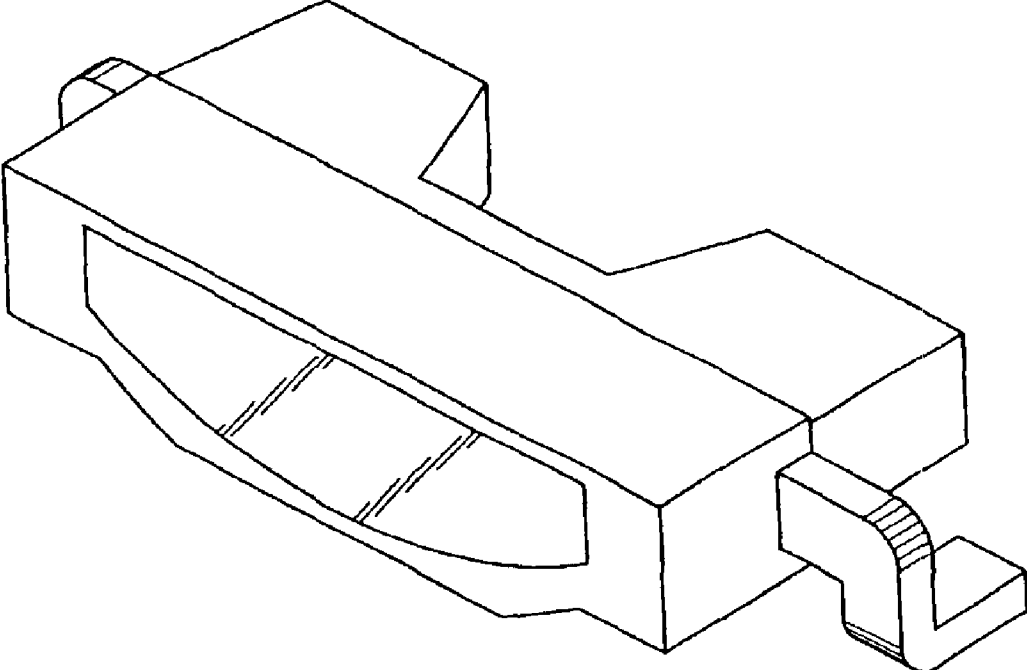


FIG. 1

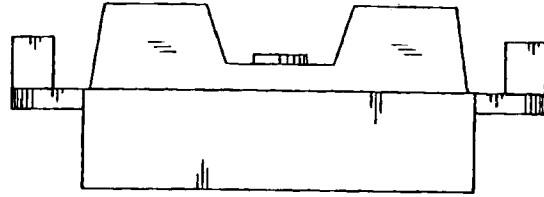


FIG. 2

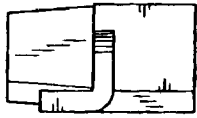


FIG. 3

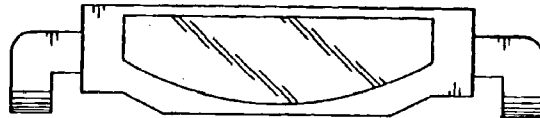


FIG. 4

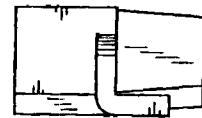


FIG. 5

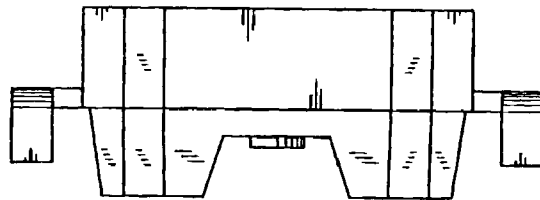


FIG. 6



FIG. 7