



US00D844747S

(12) **United States Design Patent**
Blum

(10) **Patent No.:** **US D844,747 S**
(45) **Date of Patent:** **** Apr. 2, 2019**

- (54) **FAUCET STREAM STRAIGHTENER**
- (71) Applicant: **Neoperl GmbH**, Mullheim (DE)
- (72) Inventor: **Gerhard Blum**, Gutach (DE)
- (73) Assignee: **Neoperl GmbH**, Müllheim (DE)
- (**) Term: **15 Years**
- (21) Appl. No.: **29/610,288**
- (22) Filed: **Jul. 11, 2017**

| | | | | |
|-------------------|---------|----------|-------|------------|
| 7,677,473 B2 * | 3/2010 | Kao | | E03C 1/084 |
| | | | | 239/428.5 |
| D641,071 S * | 7/2011 | Grether | | D23/249 |
| D641,839 S * | 7/2011 | Grether | | D23/249 |
| D674,877 S * | 1/2013 | Jones | | D23/213 |
| D676,525 S * | 2/2013 | Jones | | D23/213 |
| D692,526 S * | 10/2013 | Stein | | D23/213 |
| D693,427 S * | 11/2013 | Jones | | D23/213 |
| 2007/0196177 A1 * | 8/2007 | Tasi | | E03C 1/084 |
| | | | | 405/79 |
| 2011/0006132 A1 * | 1/2011 | Grether | | E03C 1/084 |
| | | | | 239/428.5 |
| 2011/0266369 A1 * | 11/2011 | Grether | | E03C 1/084 |
| | | | | 239/428.5 |
| 2011/0303309 A1 * | 12/2011 | Prenzler | | E03C 1/08 |
| | | | | 137/551 |
| 2016/0273199 A1 * | 9/2016 | Blum | | E03C 1/08 |

Related U.S. Application Data

- (62) Division of application No. 35/500,443, filed on Sep. 30, 2015 (U.S. filing date under 35 U.S.C. 384), and having an international filing date of Sep. 30, 2015, now abandoned.
- (51) **LOC (11) CL.** **23-01**
- (52) **U.S. CL.**
USPC **D23/213**
- (58) **Field of Classification Search**
USPC D23/213, 249
CPC E03C 1/08; E03C 1/084; E03C 1/04
See application file for complete search history.

References Cited

U.S. PATENT DOCUMENTS

| | | | | |
|----------------|---------|---------|-------|------------|
| 4,789,103 A * | 12/1988 | Ruhnke | | E03C 1/084 |
| | | | | 239/428.5 |
| 6,126,093 A * | 10/2000 | Grether | | E03C 1/08 |
| | | | | 239/428.5 |
| 6,892,964 B2 * | 5/2005 | Grether | | E03C 1/08 |
| | | | | 239/428.5 |
| D550,818 S * | 9/2007 | Grether | | D23/249 |
| D612,911 S * | 3/2010 | Grether | | D23/249 |

* cited by examiner

Primary Examiner — Darlington Ly
(74) *Attorney, Agent, or Firm* — Volpe and Koenig, P.C.

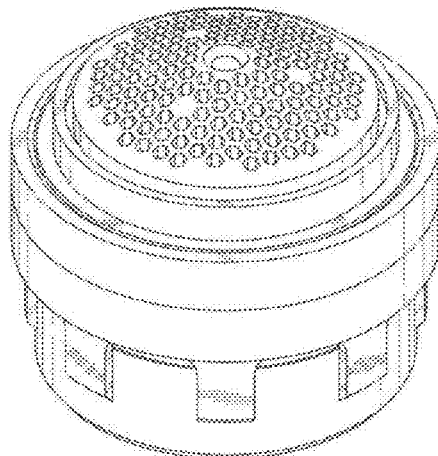
(57) **CLAIM**

The ornamental design for a faucet stream straightener, as shown and described.

DESCRIPTION

FIG. 1 is a top plan view of a faucet stream straightener in accordance with my design;
 FIG. 2 is a top and front perspective view thereof;
 FIG. 3 is a bottom plan view thereof;
 FIG. 4 is a bottom and rear perspective view thereof;
 FIG. 5 is a left side elevational view thereof;
 FIG. 6 is a front elevational view thereof;
 FIG. 7 is a rear elevational view thereof; and,
 FIG. 8 is a right side elevational view thereof.

1 Claim, 4 Drawing Sheets



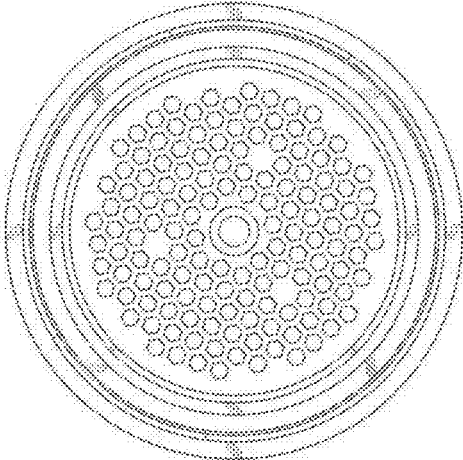


Fig. 1

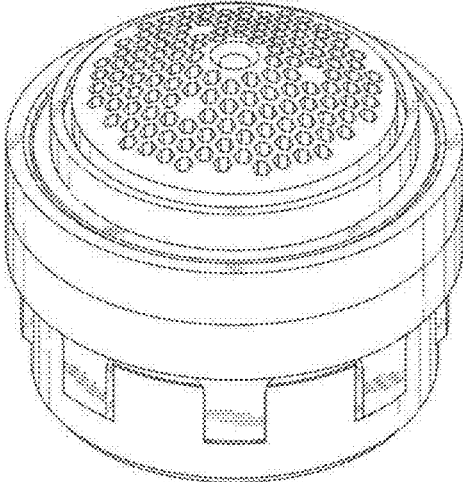


Fig. 2

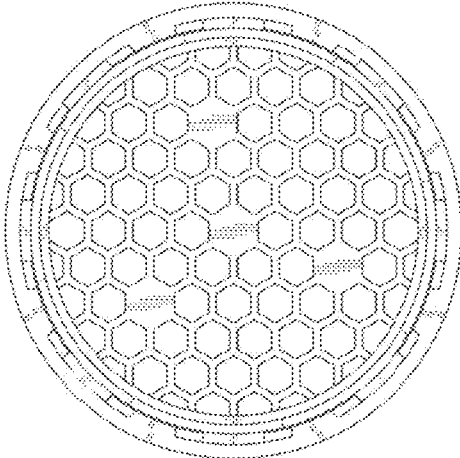


Fig. 3

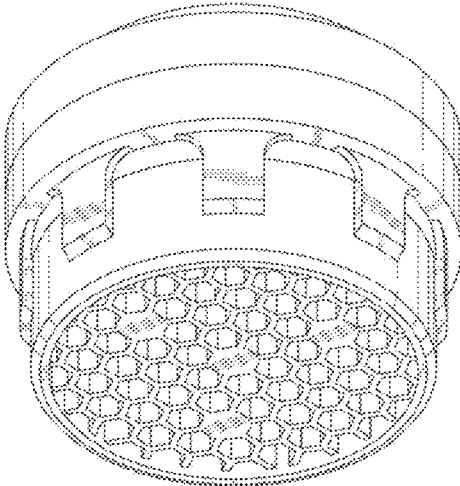


Fig. 4

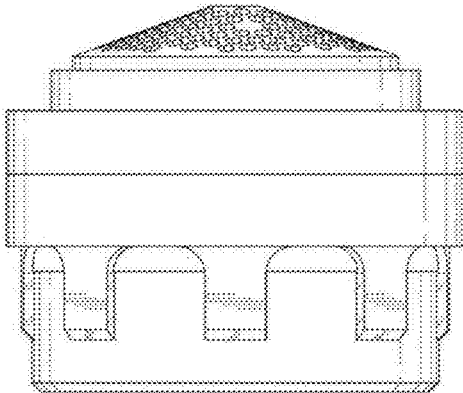


Fig. 5

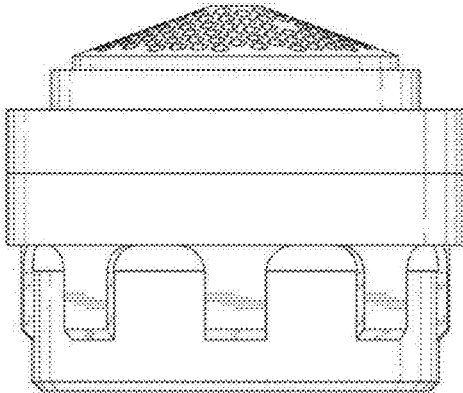


Fig. 6

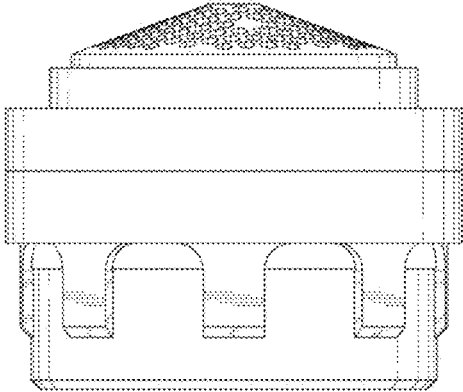


Fig. 7

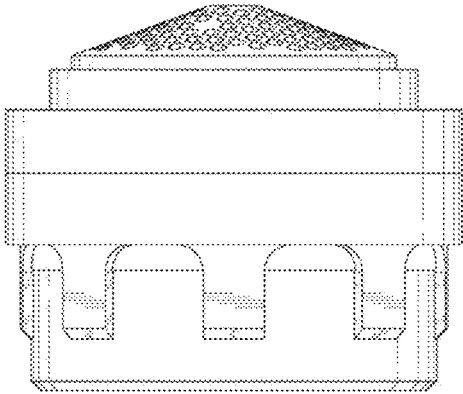


Fig. 8